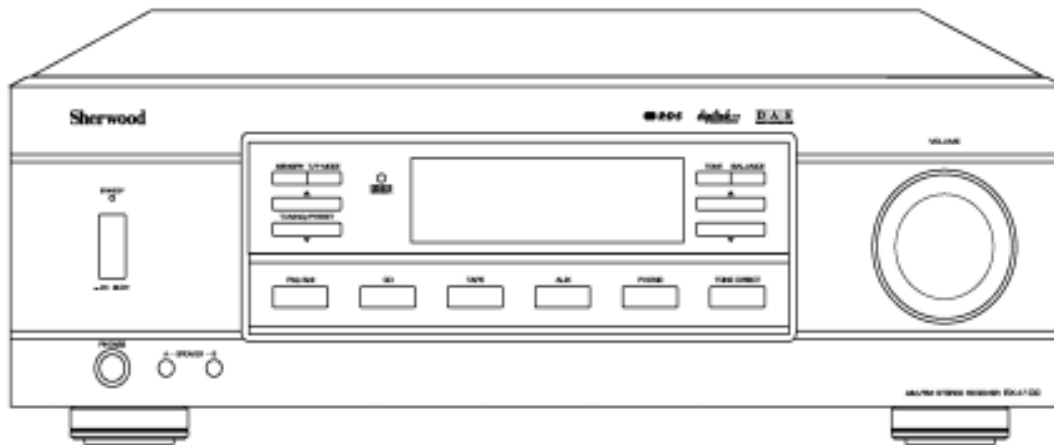


# *SERVICE MANUAL*

*RX-4109*

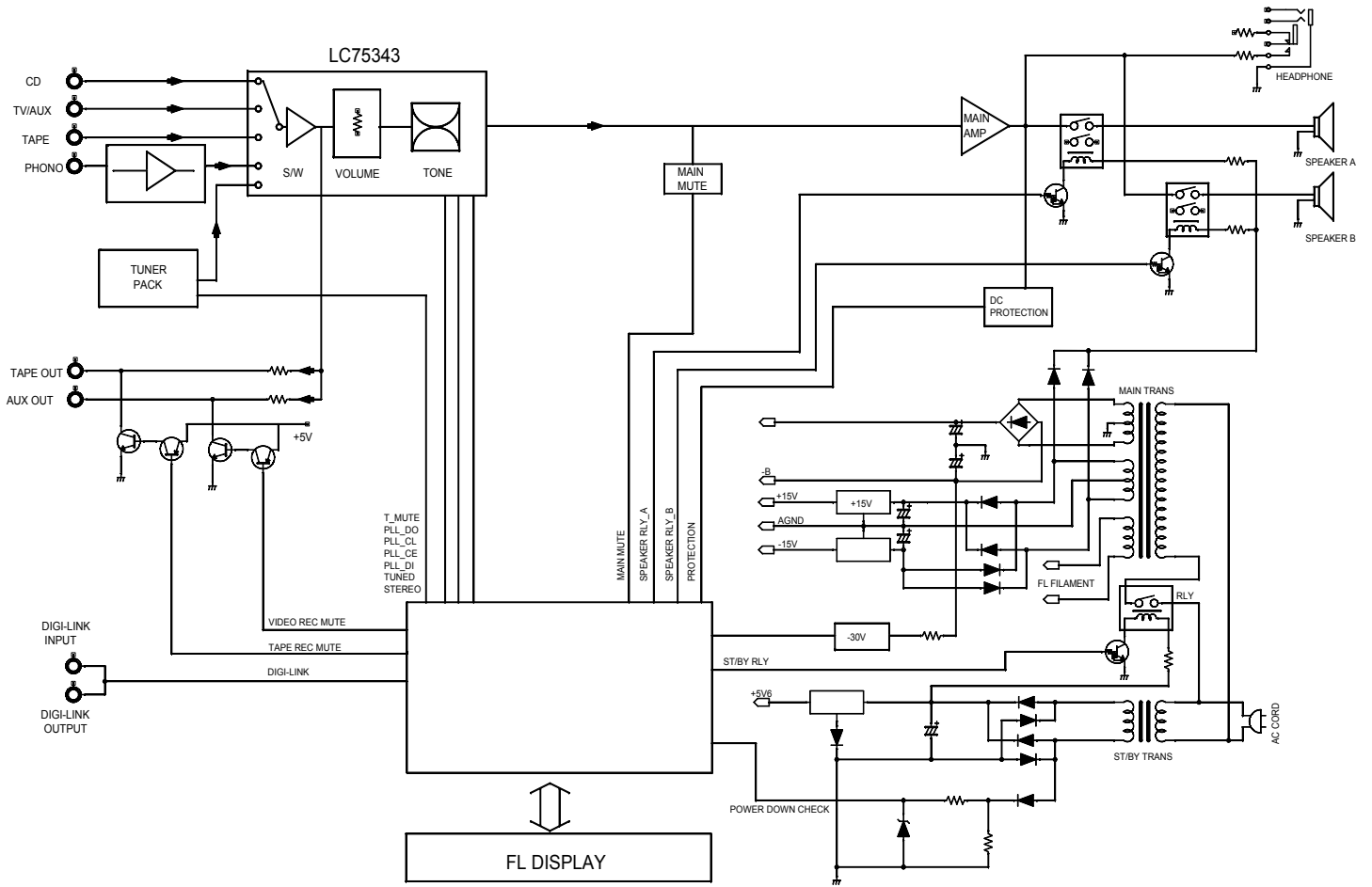
*AM/FM STEREO RECEIVER*

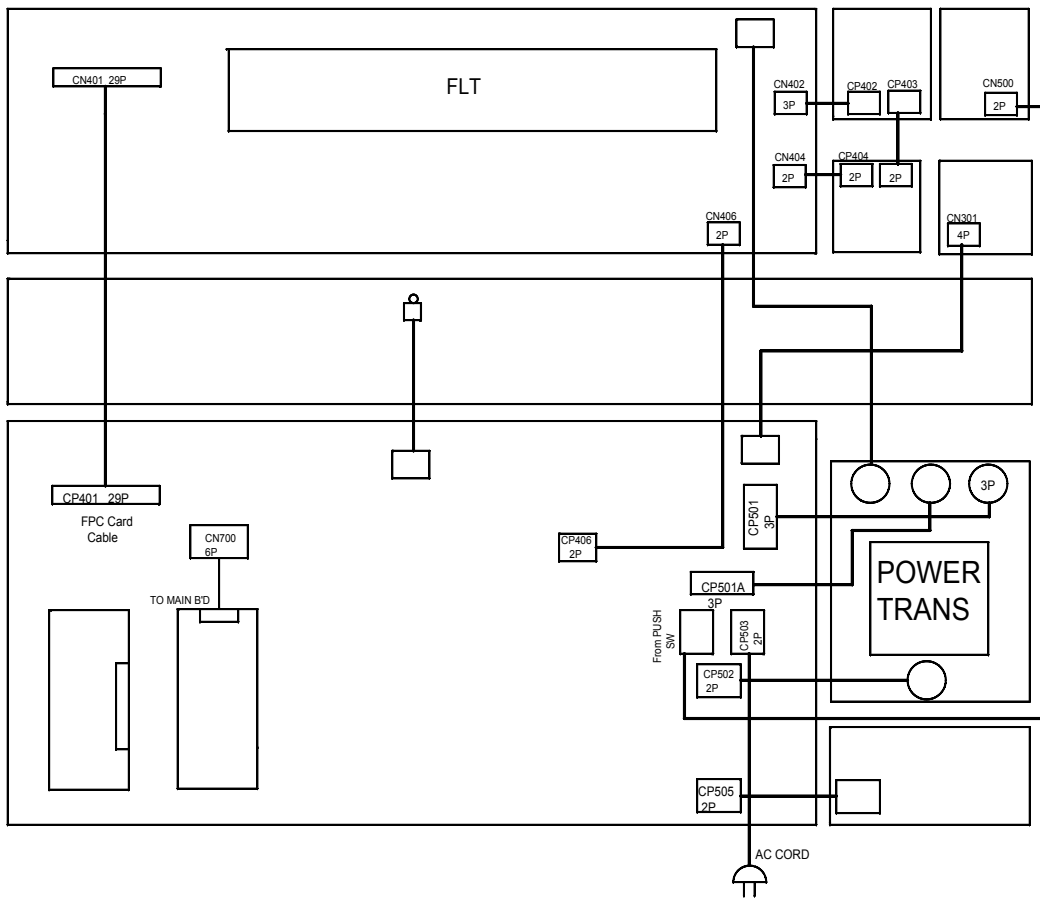


## *CONTENTS*

- *BLOCK DIAGRAM*
- *WIRING DIAGRAM*
- *CIRCUIT DESCRIPTION*
- *TROUBLESHOOTING*
- *TUNER ALIGNMENT*
- *MECHANICAL PARTS LIST*
- *EXPLODED VIEW*
- *ELECTRICAL PARTS LIST*
- *IC'S FUNCTIONAL BLOCK DIAGRAM*
- *SCHEMATIC DIAGRAMS*



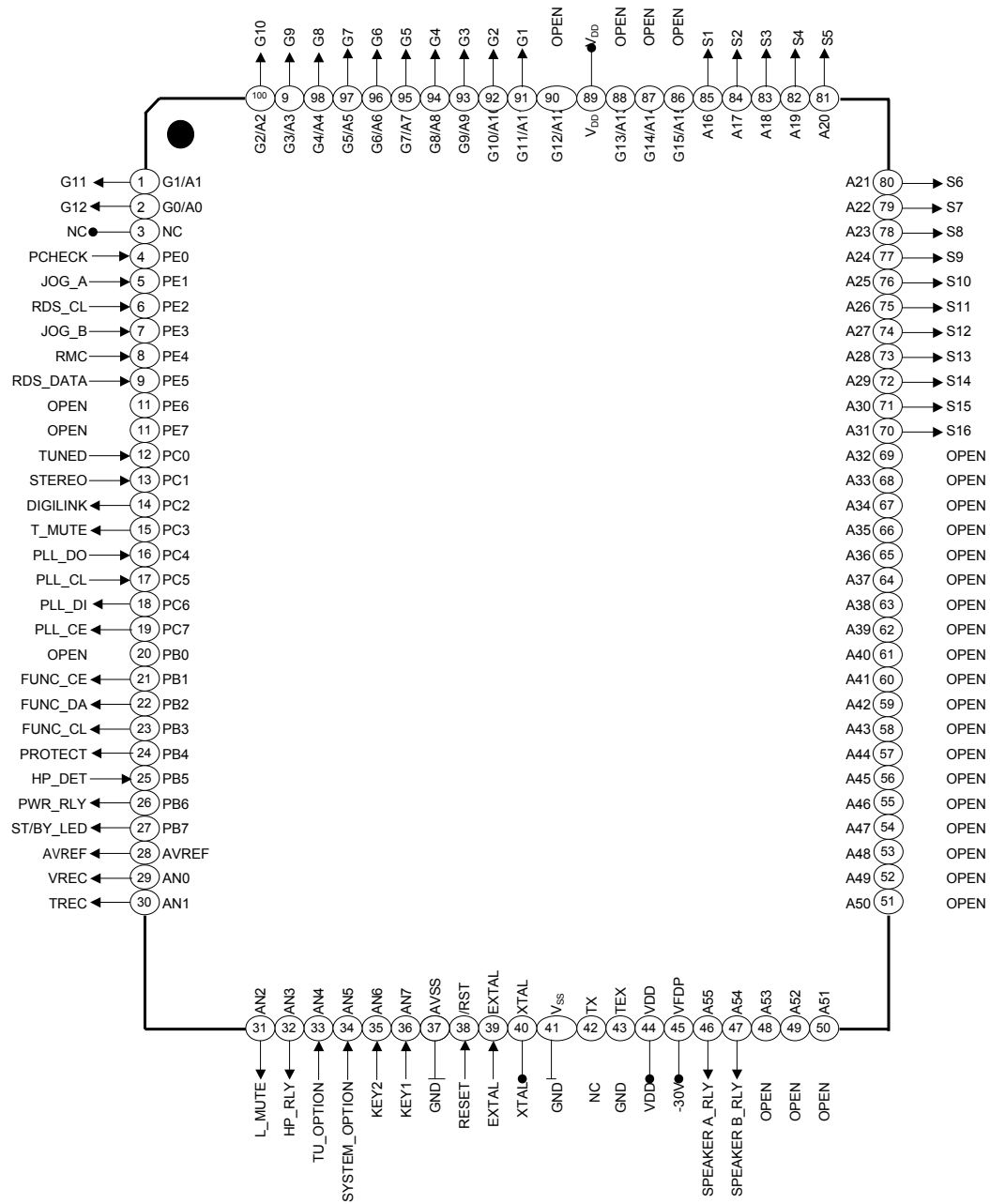




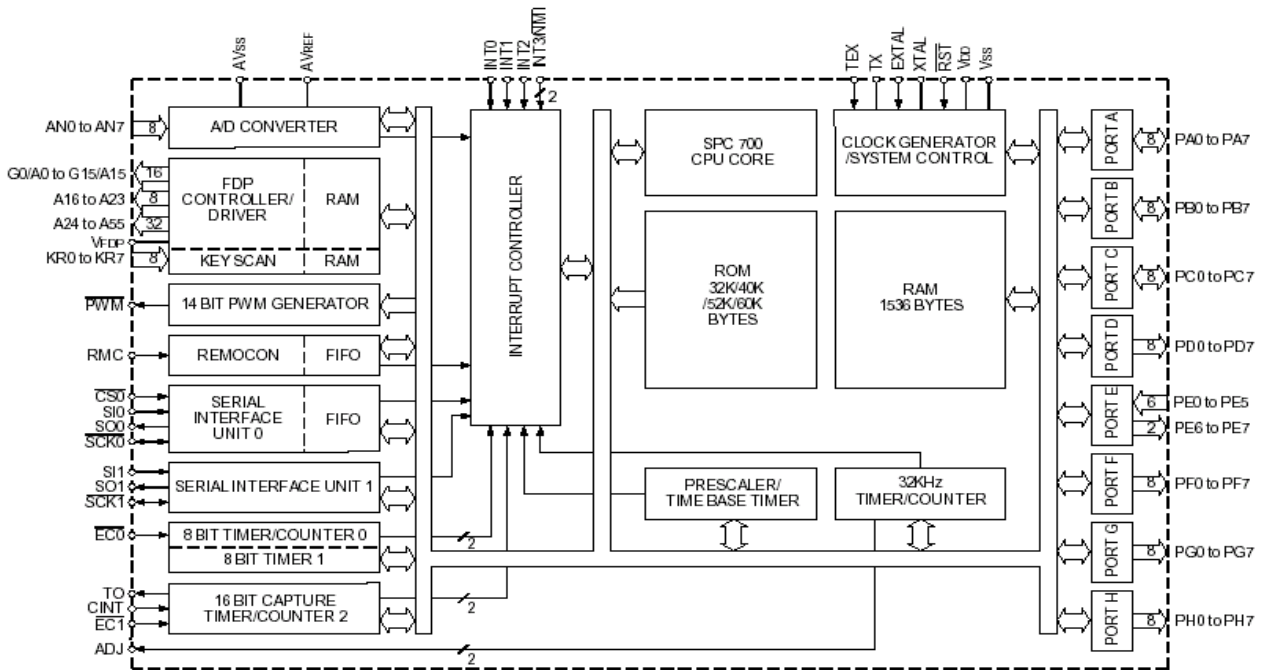
# CIRCUIT DESCRIPTION

## CXP82532-344Q : IC401

### 1. Pin Description



## 2. Block diagram



### 3. Pin Functions

Pin No.	Pin Name	Opeation	Description	Assign
1	G11	Grid FL PORT	FL GRID	O
2	G12	Grid FL PORT	FL GRID	O
3	NC			
4	Power Check	Input for power down.	AC CORD ON/OFF CHECK(LOW=AC CORD OFF)	I
5	Volume_Encoder A	Input for main volume up/down.	Volume encoder up/down	I
6	RDS_CLK	Output for RDS clock of TDA7330	RDS CLOCK	I
7	Volume_Encoder B	Input for main volume up/down.	Volume encoder up/down	I
8	Remote control	Input for remocon data.	Remote control input	I
9	RDS_DATA	Input for RDS data of BU1924	RDS DATA	I
10 ~ 11	N.C			
12	Tuned	Input for detecting "TUNED" condition.	Tuned signal in (Low=Tuned OK)	I
13	Stereo	Input for detecting STEREO condition.	Stereo in (Low=stereo OK)	I
14	Digi-link	Digi-link input/output	Digi-link input/output	I/O
15	T-Mute	Output for TUNER MUTE	Tuner Mute ON	O
16	PLL_DO		Tuner PLL Data out	I
17	PLL_CLK		Tuner PLL Clock	I
18	PLL_DI		Tuner PLL Data in	O
19	PLL_CE		Tuner PLL Chip enable	O
20	N.C			
21	LC75343_CE	Output for chip enable of LC75343 IC		O
22	LC75343_DATA	Output for data of LC75343 IC	FRONT SPEAKER RELAY ON/OFF	O
23	LC75343_CLK	Output for clock of LC75343 IC	HEADPHON RELAY ON/OFF	O
24	Protection	Input for detecting "PROTECTION" condition.	Protect in (High Power off)	O
25	H/P_Detection	Input for detecting the connection		I
26	Power_Relay	Output for "power relay ON/OFF"		O
27	ST/BY LED	Output to drive standby LED		O
28	AVREF	Reference voltage. (Connected to +5V, Not VDD.)		O
29	VREC	Output for "Video REC ON/OFF"		O
30	TREC	Output for "Tape REC ON/OFF"		O
31	L-MUTE	Output for Front L/R MUTE		O
32	H/P RLY	Output for "HEADPHONE RELAY ON/OFF"	HEADPHON RELAY ON/OFF	O
33	TU-Option	Input for selecting the frequency ranges steps .		I
34	System Option	Input for selecting set option.		I
35	KEY2	Data input for key scan.		I
36	KEY1	Data input for key scan.		I
37	GND	Ground		
38	Reset	Input for resetting the CPU		I
39	EXTAL	Input for 10MHz crystal oscillator.		I

Pin No.	Pin Name	Opertation	Description	Assign
40	XTAL	Output for 10MHz crystal oscillator.		I
41	GND	Ground	Ground	
42	N.C			
43	GND	Ground	Ground	
44	VDD	+5V power supply		
45	VFDP	-30V Supply		
46	Speaker"A" relay	Output for Speaker Relay "A"ON/OFF		O
47	Speaker"B" relay	Output for Speaker Relay "B"ON/OFF		O
48 ~ 69	N.C			
70	S16	SEGMENT FL PORT	FL SEGMENT	O
71	S15	SEGMENT FL PORT	FL SEGMENT	O
72	S14	SEGMENT FL PORT	FL SEGMENT	O
73	S13	SEGMENT FL PORT	FL SEGMENT	O
74	S12	SEGMENT FL PORT	FL SEGMENT	O
75	S11	SEGMENT FL PORT	FL SEGMENT	O
76	S10	SEGMENT FL PORT	FL SEGMENT	O
77	S09	SEGMENT FL PORT	FL SEGMENT	O
78	S08	SEGMENT FL PORT	FL SEGMENT	O
79	S07	SEGMENT FL PORT	FL SEGMENT	O
80	S06	SEGMENT FL PORT	FL SEGMENT	O
81	S05	SEGMENT FL PORT	FL SEGMENT	O
82	S04	SEGMENT FL PORT	FL SEGMENT	O
83	S03	SEGMENT FL PORT	FL SEGMENT	O
84	S02	SEGMENT FL PORT	FL SEGMENT	O
85	S01	SEGMENT FL PORT	FL SEGMENT	O
86 ~ 88	N.C			
89	VDD	+5V power supply		
90	N.C			
91	G1	Grid FL PORT	FL GRID	O
92	G2	Grid FL PORT	FL GRID	O
93	G3	Grid FL PORT	FL GRID	O
94	G4	Grid FL PORT	FL GRID	O
98	G5	Grid FL PORT	FL GRID	O
95	G6	Grid FL PORT	FL GRID	O
96	G7	Grid FL PORT	FL GRID	O
97	G8	Grid FL PORT	FL GRID	O
99	G9	Grid FL PORT	FL GRID	O
100	G10	Grid FL PORT	FL GRID	O

## TROUBLESHOOTING

Symptom	Cause and Remedy	Ref NO.
Power On Failure. 1. FLT does not light up. 2. ST-BY LED does not light up.	A) AC-Cord check. B) Power Trans ( Main/ST-BY ) check. C) Fuse's disconnection check. D) Connector's disconnection or disjunction. Change or close insertion of the connector. E) Inferior Stany-By switch. F) $\mu$ -COM I.C & Resonator check. 1. $\mu$ -COM IC B+( 5 )V check. 2. $\mu$ -COM clock pulse check.	FUSE ( 501 )  CP ( 503 ) SW ( SW401 )  I.C Pin No. ( 72 ) X-TAL( 401 )
Fuse Disconnection. (Power On)	A) Inferior transformer. B) AMP Drive Transistor out ( POWER TR ) C) AMP Drive I.C out ( POWER TR )	Q ( 306L/R, 307L/R ) Q ( 305L/R )
Key Disorder.	A) KEY's being pushed check. B) KEY Signal input components inferior. C) KEY data check. D) $\mu$ -COM I.C or Resonator inferior. 1. $\mu$ -COM IC B+( 5.5 )V check 2. $\mu$ -COM clock pulse check.	SW ( 401 ~ 410 ) R ( 427 ) I.C Pin No.( 35, 36 ) I.C No. ( 401 ) I.C Pin No. ( 89 ) X-TAL ( 40 )
Power Off in 2~3 sec. after Power On.	A) Drive I.C out ( POWER TR ) B) Drive Transistor out ( POWER TR ) C) Protection circuit check. 1. Output DC check. 2. $\mu$ -COM I.C protection terminal check. D) Posistor's connector disconnectoin.	Q ( 306L/R, 307L/R ) Q ( 305L/R )  R ( 537, 532 ) I.C Pin No. ( 24 ) CP ( 210 )
Bump Sound. ( During Input-Select Switch's change. )	A) POWER MUTE transistor's out and inferior. $\mu$ -Com Front Mute Control PORT check.	Q ( 315, 314L/R ) I.C Pin No. ( 31 )
Sounds from Speaker. when Headphone's connected .	A) HEADPHONE JACK connection inferior. B) $\mu$ -Com I.C inferior. 1. $\mu$ -Com H/P IN/OUT control "PORT"check.	JACK ( 1 )  I.C Pin No. ( 25 )
Bass Control Failure. Treble Control Failure.	A) TONE VOLUME IC check. 1. Signal IN/OUT terminal. 2. IC voltage check ( +10 )V 3. IC control data check.	I.C Pin No. ( 7, 31 ) I.C Pin No. ( 35 ) I.C Pin No. ( 1, 2, 36 )
AMP Sound dead. 1. L / R Channel dead. 2. LEFT Channel dead.	A) Signal Mute TR's inferior. B) Connector disconnection & disjunction. Changer or close insertion of the connector.	Q ( 319, 314L/R ) CP ( 401 )



Symptom	Cause and Remedy	Ref NO.
3. RIGHT Channel dead.	C) Speaker wire's disjunction. Close insertion of the speaker wire. D) Signal switching IC check. 1. IC voltage check ( +10 )V 2. Switching IC control data check. 3. Switching IC signal IN/OUT check.	I.C ( 101 ) I.C Pin No. ( 35 ) I.C Pin No. ( 1, 2, 36 ) I.C Pin No. ( 7, 31 )
Digi-Link Failure.	A) Digi-Link line disconnection check. Digi-Link IN/OUT circuit check. B) $\mu$ -COM IC & Resonator inferior. 1. $\mu$ -COM IC B+( 5 )V check. 2. $\mu$ -COM clock pulse check.	R ( 439, 440 ) D ( 404 )  I.C Pin No ( 14 ) X-TAL ( 40 )
Remote Controller Failure.	A) Battery check. B) RMC I.C & Resonator inferior. 1. RMC IC B+( 5 )V check. 2. RMC clock pulse check.	I.C Pin No. ( 8 ) X-TAL ( RMC 401 )
FM Failure.	A) FM MUTE adjustment inferior. B) FRONT-END inferior. C) FM DET COIL inferior. D) PLL IC check. 1. PLL IC B+( 5 )V check. 2. PLL control data check ( Data/CE/Clock )	VR ( 01 )  DET ( 1 )  I.C Pin No. ( 17 ) I.C Pin No. ( 3, 4, 5, 6 )
Stereo Effect Failure. Stereo does not light up.	A) FM DET COIL Inferior. B) MPX IC inferior. 1. MPX IC B+( 9.1 )V check. 2. MPX control data check. C) FM MUTE adjustment inferior.	DET ( 1 ) I.C ( 01 ) I.C Pin No. ( 8 ) I.C Pin No. ( 7 ) SVR ( 01 )
AM Failure.	A) AM V.T voltage inferior. B) PLL IC check. 1. PLL IC B+( 5 )V check. 2. PLL control data check ( Data/CE/Clock )	AM OSC ( BLACK COIL )  I.C Pin No. ( 17 ) I.C Pin No. ( 3, 4, 5, 6 )
Tuner Sound Dead. 1. L / R Channel dead. 2. LEFT Channel dead. 3. RIGHT Channel dead.	A) MUTE TR inferior. B) Connector's disconnection or disjunction. Change or Close insertion of the connector. C) FM DET COIL inferior. D) AM IFT COIL inferior. E) MPX I.C check. 1. Signal IN/OUT terminal. 2. I.C driving voltage check ( + 9.1V )	Q ( 9, 10, 11 ) CP ( 101 )  FM DET ( 1 ) RED COIL I.C ( 01 ) I.C Pin No. ( 1, 16, 17 ) IC ( 01 )

# TUNER ALIGNMENT

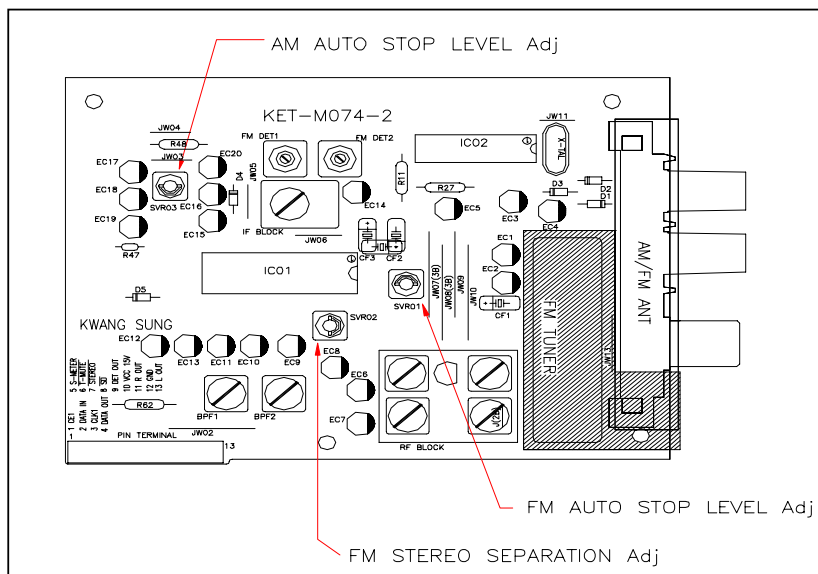
## 1. Electrical specification.

No.	ITEMS	SPECIFICATION	
		M W	F M
1-1	Local OSC	Above the receiving Frequency	
1-2	Frequency cover range( E/RDS )	522 ~ 1611kHz	87.5 ~ 108.0MHz
	Frequency cover range( K )	520 ~1710kHz	87.5 ~ 108.0MHz
1-3	Standard supply voltage	15.0(±1.5V)	
1-4	FM Antenna input Impedance	75 ohm	
1-5	AM Loop Antenna	11.5uH ( 2.52MHz )	

## 2. Electrical Characteristics.

No.	TEST ITEMS	TEST CONDITION	T.P.	T.L.	MOD.	Specification	UNIT	Adjustment
				dBu	kHz,%			
FM	AF Output Level ( E/RDS )	47kΩ Load	98.1	60	40	600±100	mV	Non Adjust
	AF Output Level ( K )	47kΩ Load	98.1	60		500±100	mV	Non Adjust
	Auto Stop Level		98.1	--		20 ±5	dBu	SVR01
	Stereo Separation ( E/RDS )	1kHz	98.1	60		35 min	dB	SVR02
	Stereo Separation ( K )	1kHz	98.1	60		40 min	dB	SVR02
MW	AF Output Level ( E/RDS )	47kΩ Load	999	74	30	180 ± 50	mV	Non Adjust
	AF Output Level ( K )	47kΩ Load	1000	74	30	165 ± 50	mV	Non Adjust
	Auto Stop Level( E/RDS )		999	--	30	58 ±10	dBu	SVR03
	Auto Stop Level ( K )		1000	--	30	58 ±10	dBu	SVR03

## 3. Adjust Point.

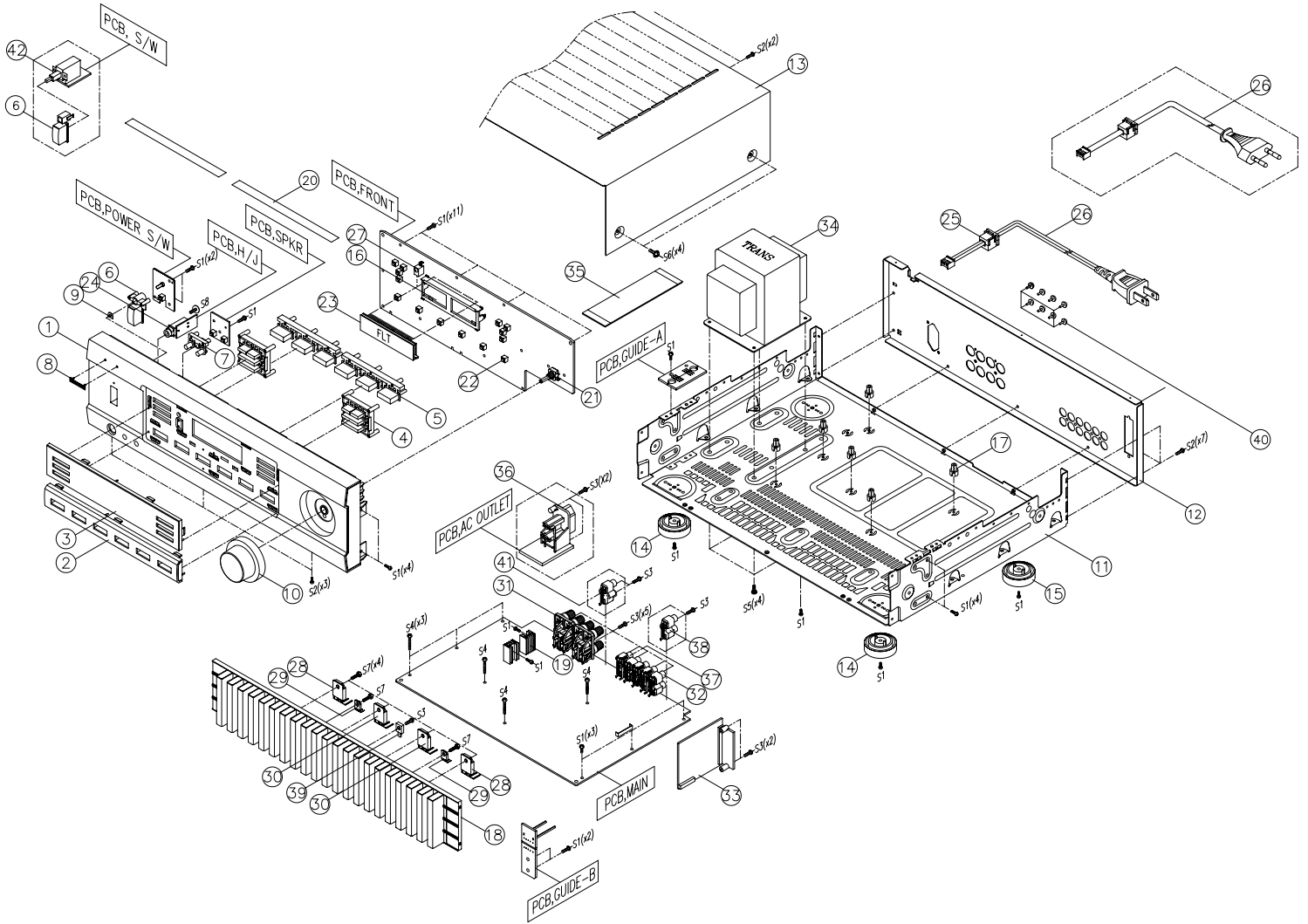


# MECHANICAL PARTS LIST (RX-4109)

Parts without Parts No. are not supplied.

No.	DESCRIPTION	Q'TY	PARTS No.	VER.
<b>PACKAGE</b>				
	INSTRUCTION MANUAL	1	5707000000440S	K
	INSTRUCTION MANUAL	1	5707000000450S	G
	INSTRUCTION MANUAL	1	5707000000460S	E
	WARRANTY CARD	1	5727040540021S	E ONLY
	BOX, INNER CARTON	1	60170401212F0S	G
	BOX, INNER CARTON	1	60170401212N0S	K
	BOX, INNER CARTON	1	60172100600B0S	E
	CUSHION, SNOW	1	6230043714010S	
	PAD, EPS 220*125*30 /SNOW	2	6240210194000S	E ONLY
	PE, SHEET 750*1460/SET	1	6327040059000S	
	POLY BAG, 330*240*0.05	1	6337040062010S	
	REMOCON, RC109	1	8300355100040S	G
	REMOCON, RC109	1	8300355100050S	K
	REMOCON, RC107	1	8300355100030S	E
	ANTENNA, LOOP AM	1	E601010000000S	
	ANTENNA, WIRE	1	E605010010000S	
	MATCHING TRANS(EUR)	1	L109284007300S	E/G
	MATCHING TRANS(US)	1	L109284007400S	K
	BATTERY, AAA	2	G670001R50210S	
<b>CABINET &amp; CHASSIS</b>				
1	PANEL, FRONT(BLACK)	1	3067210721600S	G
	PANEL, FRONT(BLACK)	1	3067210721610S	E
	PANEL, FRONT(D/GOLD)	1	3067210721700S	K
2	DECORATION, COVER	1	5127210201070S	E/G
	DECORATION, COVER	1	5127210201220S	K
3	WINDOW, DISPLAY	1	5077210653040S	
4	BUTTON, 4KEY	2	5090211461100S	E/G
	BUTTON, 4KEY	2	5097211461410S	K
5	BUTTON, 3-KEY	2	5090211441000S	E/G
	BUTTON, 3-KEY	2	5097211441210S	K
6	BUTTON, POWER PUSH	1	5090211571000S	E/G
	BUTTON, POWER PUSH	1	5097211571210S	K
7	BUTTON, SPKR	1	5090211451000S	E/G
	BUTTON, SPKR	1	5097211451210S	K
8	BADGE, INKEL	1	5630210268010S	K
	BADGE, SHERWOOD	1	5637210031010S	E/G
9	INDICATOR, GUIDE LED	1	5160041003010S	
10	KNOB, VOLUME	1	5080210281000S	E/G
	KNOB, VOLUME	1	5087210281160S	K
11	CHASSIS, MAIN	1	3200200026020S	
12	CHASSIS, BACK	1	3207210866A00S	G
	CHASSIS, BACK	1	3207210866B00S	K
	CHASSIS, BACK	1	3207210866B10S	E
13	CABINET, TOP(BLACK)	1	3007041236060S	E/G
	CABINET, TOP(GOLD)	1	3007041236080S	K

No.	DESCRIPTION	Q'TY	PARTS No.	VER.
14	FOOT, H/S ASS'Y	2	4007040201040S	
15	FOOT, PL	2	4000040201010S	
16	HOLDER	1	432004078301AS	
17	SPACER, KNOB	6	4300040561010S	
18	HEAT SINK	1	2120210438100S	
19	HEAT SINK REG TR	2	2120044298010S	
20	FELT, STRIP	2	2690040057010S	
21	ENCODER S/W	1	G121162430400S	
22	TACT S/W	16	G180000270010S	
23	DISPLAY, FLT	1	K530121300010S	
24	JACK D6.5	1	G402040161330S	
25	STOPPER, DACH-1	1	4380040162010S	
26	CORD ASS'Y, 2.5A/250V	1	L068250250040S	G
	CORD ASS'Y, 2.5A/250V	1	L068250250050S	K
	CORD ASS'Y, 7.5A/250V	1	L068040230100S	E
27	MODULE, REMOCON	1	E940643800000S	
28	2SD2390-Y, NPN	2	J5032390Y0000S	
29	2SD947F, NPN	2	J503947F00000S	
30	2SB1560-Y, PNP	2	J5011560Y0000S	
31	TER, BOARD SCREW 8P	1	G614801A0600YS	
32	TER, RCA 6PIN	2	G603600460030S	
33	TUNER, FM/AM	1	E900901400020S	K
	TUNER, FM/AM	1	E903901415000S	E/G
34	POWER TRANS, 230V/50,60Hz	1	8200858690200S	
35	CABLE,FLAT CARD 1.25MM	1	N712292134810S	
36	POWER, SOCKET AC OUTLET	1	G435040110000S	G ONLY
37	TER, RCA 4PIN	1	G60240045003AS	
38	TER, RCA 2PIN	1	G601206B0301YS	
39	POSISTOR	1	F320101020010S	
40	BUSHING	8	2410040353010S	
41	TER, RCA 2PIN	1	G601200430020S	
42	POWER, BUTTON	1	G000122006060S	
<b>SCREWS</b>				
S1	SCREW, +2S 3*8 B-TYPE ZNW/BH	33	B020030081B10S	
S2	SCREW, +2S 3*8 B-TYPE BK/BH	3	B020030083B10S	
S3	SCREW, +2S 3*10 B-TYPE(DOT) BK/BH	20	B020030103B11S	G
	SCREW, +2S 3*10 B-TYPE(DOT) BK/BH	18	B020030103B11S	E/K
S4	SCREW, 3X18 B-TYPE ZNW/BH	6	B020030181B10S	
S5	SCREW, +3S 4*10 P+S-WASHER ZNW/BH	4	B028940101B10S	
S6	SCREW, +2S 4*8 B-TYPE BK/BH	4	B020040083B10S	E/G
	SCREW, +2S 4*8 B-TYPE(DOT) NI/BH	4	1500040084B10S	k
S7	SCREW, +2S 3*16+S-WASHER ZNW/HH	6	1507041146010S	
S8	SCREW, +2S 3*8 ZnY WASHER PI12	1	1500001456010S	



# ELECTRICAL PARTS LIST (RX-4109)

Parts without Parts NO are not supplied.

REF No.	DESCRIPTION	Q'TY	PARTS No.	VER.
PCB1	ASSEMBLY P.C.BOARD MAIN		7025HK0015100	K
PCB1	ASSEMBLY P.C.BOARD MAIN		7025HK0015110	E/G
	<b>CAPACITORS</b>			
C101L/R	CERAMIC HIK AXIAL 220 pF 50V K	2	D005221277520S	
C102	CERAMIC HIK AXIAL 0.047 uF 50V Z	1	D005473597520S	
C102L/R	ELECT GE 85C 4.7 uF 50V M	2	D0404R7087250S	
C103L/R	ELECT GE 85C 4.7 uF 50V M	2	D0404R7087250S	
C104L/R	CERAMIC HIK AXIAL 220 pF 50V K	2	D005221277520S	
C105L/R	CERAMIC HIK AXIAL 220 pF 50V K	2	D005221277520S	
C106L/R	ELECT GE 85C 4.7 uF 50V M	2	D0404R7087250S	
C107L/R	CERAMIC HIK AXIAL 220 pF 50V K	2	D005221277520S	
C108L/R	CERAMIC HIK AXIAL 220 pF 50V K	2	D005221277520S	
C109L/R	ELECT GE 85C 4.7 uF 50V M	2	D0404R7087250S	
C110L/R	CERAMIC HIK AXIAL 220 pF 50V K	2	D005221277520S	
C113L/R	ELECT GE 85C 4.7 uF 50V M	2	D0404R7087250S	
C114L/R	ELECT GE 85C 4.7 uF 50V M	2	D0404R7087250S	
C115L/R	ELECT GE 85C 4.7 uF 50V M	2	D0404R7087250S	
C116	ELECT GE 85C 22 uF 25V M	1	D040220084050S	
C117L/R	FILM POLYESTER 0.003 uF 100V J	2	D02027206C060S	
C118L/R	FILM POLYESTER 0.1 uF 100V J	2	D02010406C060S	
C119L/R	FILM POLYESTER 0.1 uF 100V J	2	D02010406C060S	
C120	CERAMIC HIK AXIAL 0.1 uF 50V Z	1	D005104597530S	
C121	ELECT GE 85C 22 uF 25V M	1	D040220084050S	
C122/C123	CERAMIC HIK AXIAL 100 pF 50V K	2	D005101177520S	
C122L/R	ELECT GE 85C 4.7 uF 50V M	2	D0404R7087250S	
C201	ELECT GE 85C 0.22 uF 50V M	1	D040R22087070S	
C202	CERAMIC HIK AXIAL 0.001 uF 50V K	1	D005102177530S	
C203	ELECT GE 85C 330 uF 10V M	1	D040331082070S	
C302L/R	ELECT GE 85C 10 uF 50V M	2	D040100087070S	
C303L/R	CERAMIC HIK AXIAL 680 pF 50V K	2	D005681177520S	
C304L/R	CERAMIC HIK DISC 220 pF 500V J	2	D00422106D05CS	
C305L/R	CERAMIC T.C DISC 33 pF 500V J	2	D00033006D050S	
C306L/R	ELECT GE 85C 100 uF 10V M	2	D040101082090S	
C308L/R	CERAMIC HIK AXIAL 0.001 uF 50V K	2	D005102177530S	
C309L/R	ELECT GE 85C 47 uF 50V M	2	D040470087070S	
C310L/R	ELECT GE 85C 10 uF 50V M	2	D040100087070S	
C311L/R	CERAMIC HIK DISC 100 pF 500V K	2	D00410106D050S	
C312L/R	CERAMIC HIK DISC 100 pF 500V K	2	D00410106D050S	
C313L/R	CERAMIC HIK AXIAL 0.022 uF 25V Z	2	D005223594520S	
C314L/R	FILM POLYESTER 0.047 uF 100V J	2	D02047306C060S	
C315L/R	FILM POLYESTER 0.022 uF 100V J	2	D02022306C060S	
C316L/R	FILM POLYESTER 0.022 uF 100V J	2	D02022306C060S	
C318L/R	FILM POLYESTER 0.047 uF 100V J	2	D02047306C060S	
C321	ELECT GE 85C 470 uF 10V M	1	D040471082060S	
C331	ELECT GE 85C 10 uF 50V M	1	D040100087070S	
C413M	CERAMIC HIK AXIAL 0.047 uF 50V Z	1	D005473597520S	
C414	CERAMIC HIK AXIAL 220 pF 50V K	1	D005221277520S	
C501	CERAMIC HIK AXIAL 0.1 uF 50V Z	1	D005104597530S	
C502	ELECT GE 85C 47 uF 50V M	1	D040470087070S	

REF No.	DESCRIPTION	Q'TY	PARTS No.	VER.
C505-C508	FILM POLYESTER 0.047 uF 100V J	4	D02047306C060S	
C509/C510	ELECT GE 85C 6800 uF 63V M	2	D040682088010S	
C511	ELECT GE 85C 1 uF 50V M	1	D040010087150S	
C512	ELECT GE 85C 470 uF 25V M	1	D040471084130S	
C513	ELECT GE 85C 1 uF 50V M	1	D040010087150S	
C514	CERAMIC AC(SAFETY) AC13F472MDOA	1	D00847208K070S	
C517	ELECT GE 85C 1000 uF 35V M	1	D040102085030S	
C520-C522	FILM POLYESTER 0.047 uF 100V J	3	D02047306C060S	
C526	CERAMIC HIK AXIAL 0.01 uF 16V M	1	D005103773530S	
C527	CERAMIC HIK AXIAL 0.047 uF 50V Z	1	D005473597520S	
C528	ELECT GE 85C 10 uF 50V M	1	D040100087070S	
C529	ELECT GE 85C 3.3 uF 50V M	1	D0403R3087050S	
C530	ELECT GE 85C 100 uF 25V M	1	D040101084060S	
C535	FILM POLYESTER 0.047 uF 100V J	1	D02047306C060S	
C536	ELECT GE 85C 470 uF 35V M	1	D040471085020S	
C539/C540	CERAMIC HIK AXIAL 0.1 uF 50V Z	2	D005104597530S	
C541	CERAMIC HIK AXIAL 0.01 uF 16V M	1	D005103773530S	
C542	CERAMIC HIK AXIAL 0.047 uF 50V Z	1	D005473597520S	
C543	CERAMIC HIK AXIAL 0.1 uF 50V Z	1	D005104597530S	
C550	CERAMIC HIK AXIAL 0.1 uF 50V Z	1	D005104597530S	
C601L/R	ELECT GE 85C 4.7 uF 50V M	2	D0404R7087250S	
C602L/R	ELECT GE 85C 22 uF 25V M	2	D040220084050S	
C603L/R	CERAMIC T.C AXIAL 56 pF 50V J	2	D001560067520S	
C604L/R	CERAMIC HIK AXIAL 560 pF 50V K	2	D005561277520S	
	<b>CONNECTORS</b>			
CN700	CN,WIRE 120MM (6P)	1	L000121060060S	
CP210	CN.WAFER 2.5MM (2P)	1	L102526700200S	
CP301	CN.WAFER 2.0MM (4P)	1	L101220040000S	
CP401	CN.FPC 1.25MM (29P)	1	L131112900010S	
CP406	CN.WAFER 2.0MM (2P)	1	L101220020000S	
CP500	CN.WAFER 7.92MM	1	L108353280260S	
CP501	CN.WAFER 7.92MM	1	L108353280360S	
CP501A	CN.WAFER 2.5MM (3P)	1	L102526700300S	
CP502	CN.WAFER 7.92MM	1	L108353280260S	
CP503	CN.WAFER 7.92MM	1	L108202000220S	
CP505	CN.WAFER 7.92MM	1	L108353280260S	E/G
PN101	CN.WAFER 2.0MM (13P)	1	L101353361310S	
	<b>DIODES</b>			
D105/D106	1SS133T, SWITCHING	2	K000013300520S	
D210	1SS133T, SWITCHING	1	K000013300520S	
D301L/R	1SS133T, SWITCHING	2	K000013300520S	
D302-D304	1SS133T, SWITCHING	3	K000013300520S	
D306/D307	1SS133T, SWITCHING	2	K000013300520S	
D306A	1SS133T, SWITCHING	1	K000013300520S	
D404-D406	1SS133T, SWITCHING	3	K000013300520S	
D502-D505	1N4007, SWITCHING	4	K000400700010S	
D514/D515	1SS133T, SWITCHING	2	K000013300520S	
D516-D519	1N4007, SWITCHING	4	K000400700010S	
D520	1SS133T, SWITCHING	1	K000013300520S	
D521-D523	1N4007, SWITCHING	3	K000400700010S	
D525-D528	1N5402, RECTIFIER 1N	4	K040540200020S	
DZ101	MTZJ10B-0.5W, ZENER	1	K06010R044520S	

REF No.	DESCRIPTION	Q'TY	PARTS No.	VER.	
DZ201	MTZJ5.1B-0.5W, ZENER	1	K06005R144520S		
DZ210	MTZJ9.1B-0.5W, ZENER	1	K06009R144520S		
DZ301	MTZJ4.3B-0.5W, ZENER	1	K06004R344520S		
DZ501	MTZJ15B-0.5W, ZENER	1	K06015R044520S		
DZ502	MTZJ4.3B-0.5W, ZENER	1	K06004R344520S		
DZ513	MTZJ30B-0.5W, ZENER	1	K06030R044520S		
	<b>INTEGRATED CIRCUITS</b>				
IC101	LC75343M, LINEAR EQ	1	J123753430010S		
IC501	KIA7805API, LINEAR-REGULATOR	1	J126780500110S		
IC502	KIA7815API, LINEAR-REGULATOR	1	J126781500000S		
IC601	NJM2068, LINEAR OP	1	J121206800000S		
	<b>TRANSISTORS</b>				
Q101L/R	KTC2874B, NPN	2	J502287400010S		
Q102/Q103	KRA107M, PNP	2	J601107M00050S		
Q104L/R	KTC2874B, NPN	2	J502287400010S		
Q201/Q202	KTC3198Y, NPN	2	J5023198Y0000S		
Q203	KTA1268BL, PNP	1	J5001268B0050S		
Q302L/R	KSA992F, PNP	2	J5000992F0050S		
Q303L/R	KSA992F, PNP	2	J5000992F0050S		
Q304L/R	KSC1845F, NPN	2	J5021845F0000S		
Q308L/R	KSC1845F, NPN	2	J5021845F0000S		
Q313/Q314	KRC107M, PNP	2	J6020107M0010S		
Q314L/R	KTC2874B, NPN	2	J502287400010S		
Q315	KRA107M, PNP	1	J601107M00050S		
Q320	KRC107M, PNP	1	J6020107M0010S		
Q501	KTA1273Y, PNP	1	J5001273Y0050S		
Q502	KRC107M, PNP	1	J6020107M0010S		
	<b>RESISTORS</b>				
R101L/R	CARBON FILM	220 ohm	1/5W J	2	C00002216P520S
R103L/R	CARBON FILM	220 ohm	1/5W J	2	C00002216P520S
R104L/R	CARBON FILM	470 kohm	1/5W J	2	C00004746P520S
R105L/R	CARBON FILM	220 ohm	1/5W J	2	C00002216P520S
R106L/R	CARBON FILM	470 kohm	1/5W J	2	C00004746P520S
R107L/R	CARBON FILM	220 ohm	1/5W J	2	C00002216P520S
R108L/R	CARBON FILM	10 kohm	1/5W J	2	C00001036P520S
R109L/R	CARBON FILM	2.2 kohm	1/5W J	2	C00002226P520S
R110L/R	CARBON FILM	220 ohm	1/5W J	2	C00002216P520S
R111L/R	CARBON FILM	470 kohm	1/5W J	2	C00004746P520S
R113L/R	CARBON FILM	2.2 kohm	1/5W J	2	C00002226P520S
R114L/R	CARBON FILM	3.3 kohm	1/5W J	2	C00003326P520S
R115L/R	CARBON FILM	220 ohm	1/5W J	2	C00002216P520S
R116L/R	CARBON FILM	10 kohm	1/5W J	2	C00001036P520S
R119L/R	CARBON FILM	3.3 kohm	1/5W J	2	C00003326P520S
R121L/R	CARBON FILM	7.5 kohm	1/5W J	2	C00007526P520S
R122	CARBON FILM	100 ohm	1/5W J	1	C00001016P520S
R201	CARBON FILM	4.7 kohm	1/5W J	1	C00004726P520S
R202	CARBON FILM	3.3 kohm	1/5W J	1	C00003326P520S
R203	CARBON FILM	22 kohm	1/5W J	1	C00002236P520S
R204	CARBON FILM	560 ohm	1/5W J	1	C00005616P520S
R205	CARBON FILM	6.8 kohm	1/5W J	1	C00006826P520S
R206	CARBON FILM	10 kohm	1/5W J	1	C00001036P520S
R210	CARBON FILM	15 kohm	1/5W J	1	C00001536P520S



REF No.	DESCRIPTION	Q'TY	PARTS No.	VER.
R211	CARBON FILM 1 kohm 1/5W J	1	C00001026P520S	
R304L/R	CARBON FILM 220 ohm 1/5W J	2	C00002216P520S	
R305L/R	CARBON FILM 33 kohm 1/5W J	2	C00003336P520S	
R306L/R	CARBON FILM 10 kohm 1/5W J	2	C00001036P520S	
R307L/R	CARBON FILM 470 kohm 1/5W J	2	C00004746P520S	
R308L/R	CARBON FILM 33 kohm 1/5W J	2	C00003336P520S	
R309L/R	CARBON FILM 1.5 kohm 1/5W J	2	C00001526P520S	
R310L/R	CARBON FILM 1.2 kohm 1/5W J	2	C00001226P520S	
R311L/R	CARBON FILM 470 ohm 1/5W J	2	C00004716P520S	
R312L/R	CARBON FILM 47 kohm 1/5W J	2	C00004736P520S	
R313L/R	CARBON FILM 1.5 kohm 1/5W J	2	C00001526P520S	
R314L/R	CARBON FILM 2.7 kohm 1/5W J	2	C00002726P520S	
R315L/R	METAL FILM 100PPM 5.6 kohm 1W J	2	C060056265050S	
R316L/R	METAL FILM 100PPM 5.6 kohm 1W J	2	C060056265050S	
R317L/R	METAL FILM 100PPM 4.7 ohm 1/4W J	2	C0604R7063050S	
R318L/R	METAL FILM 100PPM 100 ohm 1/4W J	2	C060010163050S	
R319L/R	METAL FILM 100PPM 4.7 ohm 1/4W J	2	C0604R7063050S	
R324L/R	CARBON FILM 3.6 kohm 1/5W J	2	C00003626P520S	
R326L/R	CARBON FILM 5.1 kohm 1/5W J	2	C00005126P520S	
R327L/R	CARBON FILM 2.2 kohm 1/5W J	2	C00002226P520S	
R328L/R	METAL FILM 100PPM 10 ohm 1W J	2	C060010065050S	
R331	METAL FILM 100PPM 10 ohm 1W J	1	C060010065050S	
R341L/R	METAL FILM 100PPM 10 ohm 1W J	2	C060010065050S	
R342L/R	CARBON FILM 22 kohm 1/5W J	2	C00002236P520S	
R343L/R	METAL FILM 100PPM 560 ohm 1W J	2	C060056165050S	
R351L/R	CARBON FILM 220 kohm 1/5W J	2	C00002246P520S	
R352L/R	CARBON FILM 2.2 kohm 1/5W J	2	C00002226P520S	
R353L/R	CARBON FILM 470 ohm 1/5W J	2	C00004716P520S	
R355	CARBON FILM 3.3 Mohm 1/5W J	1	C00003356P520S	
R356	CARBON FILM 220 kohm 1/5W J	1	C00002246P520S	
R357	CARBON FILM 47 kohm 1/5W J	1	C00004736P520S	
R358-R360	METAL FILM 100PPM 1.2 kohm 1W J	3	C060012265050S	
R362L/R	CARBON FILM 1.5 kohm 1/5W J	2	C00001526P520S	
R439/R440	CARBON FILM 82 kohm 1/5W J	2	C00008236P520S	
R501	CARBON FILM 2.2 kohm 1/5W J	1	C00002226P520S	
R508	METAL FILM 100PPM 560 ohm 1W J	1	C060056165050S	
R509	CARBON FILM 1.2 kohm 1/5W J	1	C00001226P520S	
R510	CARBON FILM 150 ohm 1/5W J	1	C00001516P520S	
R510L/R	CEMENT MPR 0.27 ohm 5W J	2	C144R27069350S	
R513	CARBON FILM 47 kohm 1/5W J	1	C00004736P520S	
R514	CARBON FILM 4.7 kohm 1/5W J	1	C00004726P520S	
R515	METAL FILM 100PPM 0.22 ohm 1W J	1	C060R22065050S	
R516	METAL FILM 100PPM 68 ohm 1/4W J	1	C060068063050S	
R518	METAL FILM 100PPM 560 ohm 1W J	1	C060056165050S	
R531-R533	CARBON FILM 51 kohm 1/5W J	3	C00005136P520S	
R535-R537	CARBON FILM 27 kohm 1/5W J	3	C00002736P520S	
R539	CARBON FILM 10 kohm 1/5W J	1	C00001036P520S	
R540/R541	METAL FILM 100PPM 0.22 ohm 1W J	2	C060R22065050S	
R601L/R	CARBON FILM 47 kohm 1/5W J	2	C00004736P520S	
R602L/R	CARBON FILM 910 ohm 1/5W J	2	C00009116P520S	
R603L/R	CARBON FILM 10 kohm 1/5W J	2	C00001036P520S	
R604L/R	CARBON FILM 180 kohm 1/5W J	2	C00001846P520S	

REF No.	DESCRIPTION	Q'TY	PARTS No.	VER.
R605L/R	CARBON FILM 100 ohm 1/5W J	2	C00001016P520S	
R606	CARBON FILM 1 kohm 1/5W J	1	C00001026P520S	
R606L/R	CARBON FILM 1 kohm 1/5W J	2	C00001026P520S	
R607	CARBON FILM 1 kohm 1/5W J	1	C00001026P520S	
R325L/R	CARBON FILM 33 kohm 1/5W J	2	C00003336P520S	
	<b>MISCELLANEOUS</b>			
FUSE101	FUSE, T3.15A/250V	1	N751223151110S	
GT1-GT4	TERMINAL	4	3790040886000S	
J100-J104	CN,WIRE 1P	5	L045084006040S	
J106	CN,WIRE 1P	1	L045084006040S	
J108-J112	CN,WIRE 1P	5	L045084006040S	
J115-J146	CN,WIRE 1P	32	L045084006040S	
J149-J153	CN,WIRE 1P	5	L045084006040S	
J153A/J154A	CN,WIRE 1P	2	L045084006040S	
J155/J156	CN,WIRE 1P	2	L045084006040S	
J156A	CN,WIRE 1P	1	L045084006040S	
J157-J162	CN,WIRE 1P	6	L045084006040S	
J165-J168	CN,WIRE 1P	4	L045084006040S	
J170-J173	CN,WIRE 1P	4	L045084006040S	
J177	CN,WIRE 1P	1	L045084006040S	
J180/J181	CN,WIRE 1P	2	L045084006040S	
J183/J184	CN,WIRE 1P	2	L045084006040S	
J191	CN,WIRE 1P	1	L045084006040S	
J193	CN,WIRE 1P	1	L045084006040S	
J198-J225	CN,WIRE 1P	28	L045084006040S	
J227-J234	CN,WIRE 1P	8	L045084006040S	
J238-J244	CN,WIRE 1P	7	L045084006040S	
J246-J249	CN,WIRE 1P	4	L045084006040S	
J251	CN,WIRE 1P	1	L045084006040S	
J253/J254	CN,WIRE 1P	2	L045084006040S	
J256-J259	CN,WIRE 1P	4	L045084006040S	
J259A	CN,WIRE 1P	1	L045084006040S	
J261	CN,WIRE 1P	1	L045084006040S	
J264-J266	CN,WIRE 1P	3	L045084006040S	
J268	CN,WIRE 1P	1	L045084006040S	
J270-J272	CN,WIRE 1P	3	L045084006040S	
J274-J292	CN,WIRE 1P	19	L045084006040S	
J296-J302	CN,WIRE 1P	7	L045084006040S	
J304/J305	CN,WIRE 1P	2	L045084006040S	
J307	CN,WIRE 1P	1	L045084006040S	
J307A	CN,WIRE 1P	1	L045084006040S	
J308-J310	CN,WIRE 1P	3	L045084006040S	
J312-J317	CN,WIRE 1P	6	L045084006040S	
J318A	CN,WIRE 1P	1	L045084006040S	
J319	CN,WIRE 1P	1	L045084006040S	
J321-J323	CN,WIRE 1P	3	L045084006040S	
J324A	CN,WIRE 1P	1	L045084006040S	
J325/J326	CN,WIRE 1P	2	L045084006040S	
JACK2	TER,RCA 2PIN	1	G601200430020S	
L301L/R	INDUCTOR COIL, 0.5UH	2	D330R50000000S	
P101/P102	HOLDER,	2	G645000050010S	
RLY301-RLY303	RELAY, 24V 5A	3	G680240502020S	

REF No.	DESCRIPTION	Q'TY	PARTS No.	VER.
RLY501	RELAY, DC9V 250V/5A	1	G680090102010S	
T502	POWER TRANS, 230V/50Hz	1	8200280150260S	E/G
T502	POWER TRANS, 220V/50,60Hz	1	8200280150270S	K
	HEAT SINK, REG TR(24X45)	2	2120044298010S	
	SCREW, +2S 3*8 B-TYPE ZNW/BH	2	B020030081B10S	
	TER, RCA 4PIN	1	G60240045003AS	
	TER, RCA 6PIN	1	G603600460030S	
	TER, BOARD SCREW 8P	1	G614801A0600YS	
<b>PCB1-1</b>	<b>ASSEMBLY P.C.BOARD SW B'D</b>			
CN500	CN,WIRE 450MM (2P)	1	L000451020010S	
SW1	SW,PUSH	1	G000122006060S	
<b>PCB1-2</b>	<b>ASSEMBLY P.C.BOARD H/P</b>			
C317L/R	CERAMIC HIK AXIAL 0.001 uF 50V K	2	D005102177530S	
C330	CERAMIC HIK AXIAL 0.022 uF 25V Z	1	D005223594520S	
CN301	CN,WIRE 250MM (4P)	1	L000251040100S	
GW2	RING,TER WIRE 120MM (1P)	1	8410121010020S	
R344L/R	CARBON FILM 10 ohm 1/5W J	2	C00001006P520S	
	JACK, D6.5	1	G402040161330S	
<b>PCB1-3</b>	<b>ASSEMBLY P.C.BOARD AC OUTLET(G ONLY)</b>			
CN505	CN,WIRE 150 (2P)	1	L000151020040S	G
FUSE102	FUSE, T6.3A/250V	1	N751226301110S	G
P103/P104	HOLDER, PI5.2	2	G645000050010S	G
	SOCKET, AC OUTLET	1	G435040110000S	G
<b>PCB1-4</b>	<b>ASSEMBLY P.C.BOARD GUIDE A</b>			
J701-J706	CN,WIRE 1P	6	L045084006040S	
<b>PCB1-5</b>	<b>ASSEMBLY P.C.BOARD GUIDE B</b>			
C1/C2	CLAMP	2	4330000120000S	
J708-J712	CN,WIRE 1P	5	L045084006040S	
<b>PCB2</b>	<b>ASSEMBLY P.C.BOARD FRONT</b>		<b>7025HK0015101</b>	<b>K</b>
<b>PCB2</b>	<b>ASSEMBLY P.C.BOARD FRONT</b>		<b>7025HK0015111</b>	<b>E/G</b>
C401	ELECT GE 85C 100 uF 10V M	1	D040101082050S	
C402	ELECT GE 85C 470 uF 10V M	1	D040471082060S	
C404	CERAMIC HIK AXIAL 0.001 uF 50V K	1	D005102177530S	
C406	ELECT GE 85C 2.2 uF 50V M	1	D0402R2087160S	
C407	CERAMIC HIK AXIAL 0.1 uF 50V Z	1	D005104597530S	
C408	CERAMIC HIK AXIAL 0.001 uF 50V K	1	D005102177530S	E/G
C409/C410	CERAMIC HIK AXIAL 100 pF 50V K	2	D005101177520S	
C411	ELECT GE 85C 22 uF 50V M	1	D040220087060S	
C412	ELECT GE 85C 47 uF 10V M	1	D040470082060S	
C413	CERAMIC HIK AXIAL 0.01 uF 16V M	1	D005103773530S	E/G
C415/C416	FILM POLYESTER 0.1 uF 100V J	2	D02010406C060S	
C417	CERAMIC HIK AXIAL 0.01 uF 16V M	1	D005103773530S	E/G
C418-C421	CERAMIC HIK AXIAL 0.1 uF 50V Z	4	D005104597530S	
C422	CERAMIC HIK AXIAL 270 pF 50V K	1	D005271277520S	E/G
C423	CERAMIC HIK AXIAL 0.1 uF 50V Z	1	D005104597530S	
C424/C425	CERAMIC T.C AXIAL 33 pF 50V J	2	D001330067520S	E/G
C426	ELECT GE 85C 47 uF 16V M	1	D040470083080S	E/G
C427	ELECT GE 85C 22 uF 50V M	1	D040220087060S	E/G
C429	ELECT GE 85C 1 uF 50V M	1	D040010087150S	
C432	CERAMIC HIK AXIAL 560 pF 50V K	1	D005561277520S	E/G
C433	CERAMIC HIK AXIAL 0.1 uF 50V Z	1	D005104597530S	

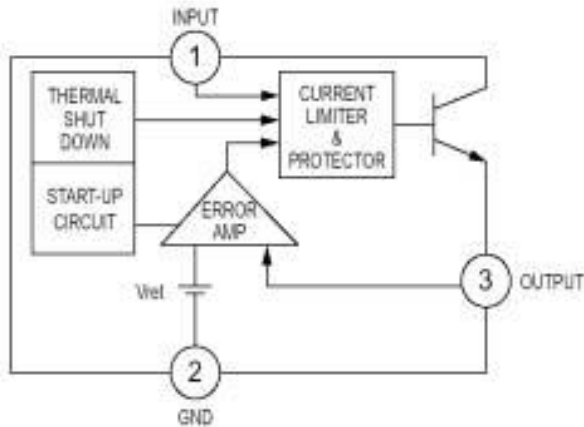
REF No.	DESCRIPTION	Q'TY	PARTS No.	VER.
CN402	CN,WIRE 100MM (3P)	1	L000101030130S	
CN404	CN,WIRE 100MM (2P)	1	L000101020120S	
CN406	CN,WIRE 370MM (2P)	1	L000371020040S	
CP405	CN.WAFER 2.5MM (2P)	1	L102526800200S	
D401-D403	1SS133T, SWITCHING	3	K000013300520S	
DZ401	MTZJ6.2B-0.5W, ZENER	1	K06006R244520S	
DZ402	MTZJ5.1B-0.5W, ZENER	1	K06005R144520S	E/G
FLT401	DISPLAY, FLT	1	K530121300010S	
FPC401	CN.FPC 1.25MM (29P)	1	L131524922920S	
GW1	RING,TER WIRE	1	8410141010010S	
IC401	CXP82532-344Q/QFP80, CPU	1	J020825323440S	
IC402	BU1924F, LINEAR RF	1	J124192400010S	E/G
J401	CN,WIRE 1P	1	L045084006040S	
J404-J407	CN,WIRE 1P	4	L045084006040S	
J409-J411	CN,WIRE 1P	3	L045084006040S	
J412/J413	CN,WIRE 1P	2	L045084006040S	E/G
J414	CN,WIRE 1P	1	L045084006040S	
J416	CN,WIRE 1P	1	L045084006040S	E/G
J418/J419	CN,WIRE 1P	2	L045084006040S	E/G
J420	CN,WIRE 1P	1	L045084006040S	
J425	CN,WIRE 1P	1	L045084006040S	
J428	CN,WIRE 1P	1	L045084006040S	
J430	CN,WIRE 1P	1	L045084006040S	
J434	CN,WIRE 1P	1	L045084006040S	
J446	CN,WIRE 1P	1	L045084006040S	
Q401	KRC103M, NPN	1	J6030103M0010S	
Q402	KRC107M, PNP	1	J6020107M0010S	
R403	CARBON FILM	470 ohm 1/5W J	1	C00004716P520S
R404	CARBON FILM	15 kohm 1/5W J	1	C00001536P520S
R405	CARBON FILM	1 kohm 1/5W J	1	C00001026P520S
R406	CARBON FILM	100 kohm 1/5W J	1	C00001046P520S
R407	CARBON FILM	470 ohm 1/5W J	1	C00004716P520S
R408	CARBON FILM	10 kohm 1/5W J	1	C00001036P520S
R409/R410	CARBON FILM	4.7 kohm 1/5W J	2	C00004726P520S
R416	CARBON FILM	1 kohm 1/5W J	1	C00001026P520S
R417	CARBON FILM	8.2 kohm 1/5W J	1	C00008226P520S
R418	CARBON FILM	15 kohm 1/5W J	1	C00001536P520S
R420	CARBON FILM	1 kohm 1/5W J	1	C00001026P520S
R421	CARBON FILM	1.5 kohm 1/5W J	1	C00001526P520S
R422	CARBON FILM	2.2 kohm 1/5W J	1	C00002226P520S
R423	CARBON FILM	3.3 kohm 1/5W J	1	C00003326P520S
R424	CARBON FILM	4.7 kohm 1/5W J	1	C00004726P520S
R425	CARBON FILM	8.2 kohm 1/5W J	1	C00008226P520S
R426	CARBON FILM	10 kohm 1/5W J	1	C00001036P520S
R427	CARBON FILM	470 ohm 1/5W J	1	C00004716P520S
R428/R429	CARBON FILM	10 kohm 1/5W J	2	C00001036P520S
R430	CARBON FILM	4.7 kohm 1/5W J	1	C00004726P520S
R431	CARBON FILM	3.3 kohm 1/5W J	1	C00003326P520S
R432	CARBON FILM	2.2 kohm 1/5W J	1	C00002226P520S
R433/R434	CARBON FILM	150 ohm 1/5W J	2	C00001516P520S
R435	CARBON FILM	15 kohm 1/5W J	1	C00001536P520S
R445	CARBON FILM	10 kohm 1/5W J	1	C00001036P520S

REF No.	DESCRIPTION	Q'TY	PARTS No.	VER.
R456/R457	CARBON FILM 4.7 kohm 1/5W J	2	C00004726P520S	
R461	CARBON FILM 100 ohm 1/5W J	1	C00001016P520S	
R463	CARBON FILM 6.8 kohm 1/5W J	1	C00006826P520S	K
R465	CARBON FILM 390 ohm 1/5W J	1	C00003916P520S	
R466	CARBON FILM 39 kohm 1/5W J	1	C00003936P520S	
R497	CARBON FILM 680 ohm 1/5W J	1	C00006816P520S	E/G
R499/R500	CARBON FILM 100 ohm 1/5W J	2	C00001016P520S	E/G
R501/R502	CARBON FILM 47 ohm 1/5W J	2	C00004706P520S	E/G
R503/R504	CARBON FILM 4.7 ohm 1/5W J	2	C0004R706P520S	
REM401	MODULE, NJL64H380A	1	E940643800000S	
SW404/SW405	SW, TACT (SKHV10920A)	2	G180000270010S	
SW406	SW, TACT (SKHV10920A)	1	G180000270010S	
SW407	SW,ENCODER (EC16B24304)	1	G121162430400S	
SW408-SW416	SW, TACT (SKHV10920A)	9	G180000270010S	
SW418/SW419	SW, TACT (SKHV10920A)	2	G180000270010S	
X401	RESONATOR, ZTT10.00MT	1	E830100000060S	
X402	CRYSTAL, 4.332MHz	1	E800433200090S	E/G
	HOLDER	1	432004078301AS	
<b>PCB1-1</b>	<b>ASSEMBLY P.C.BOARD SPK A/B</b>			
CN403	CN,WIRE 100MM (2P)	1	L000101020120S	
CP404	CN.WAFER 2.0MM (2P)	1	L101220020000S	
R411	CARBON FILM 1 kohm 1/5W J	1	C00001026P520S	
R412	CARBON FILM 1.5 kohm 1/5W J	1	C00001526P520S	
SW402/SW403	SW,TACT (SKHV10920A)	2	G180000270010S	
<b>PCB1-2</b>	<b>ASSEMBLY P.C.BOARD POWER SW</b>			
CP402	CN.WAFER 2.0MM (3P)	1	L101220030000S	
CP403	CN.WAFER 2.0MM (2P)	1	L101220020000S	
LED402	LED	1	K500052101121S	
<b>PCB3</b>	<b>ASSEMBLY P.C.BOARD PHONO</b>		<b>7025HK0015102</b>	<b>K</b>
<b>PCB3</b>	<b>ASSEMBLY P.C.BOARD PHONO</b>		<b>7025HK0015112</b>	<b>E/G</b>
C700L/R	CERAMIC HIK AXIAL 100 pF 50V K	2	D005101177520S	
C701L/R	CERAMIC HIK AXIAL 100 pF 50V K	2	D005101177520S	
C702L/R	ELECT GE 85C 47 uF 25V M	2	D040470084070S	
C703L/R	ELECT GE 85C 4.7 uF 50V M	2	D0404R7087250S	
C704L/R	FILM POLYESTER 0.002 uF 100V J	2	D02022206C060S	
C705L/R	FILM POLYESTER 0.002 uF 100V J	2	D02018206C060S	
C706L/R	FILM POLYESTER 0.006 uF 100V J	2	D02056206C060S	
C707L/R	ELECT GE 85C 47 uF 25V M	2	D040470084070S	
C708L/R	ELECT GE 85C 1 uF 50V M	2	D040010087150S	
C709L/R	FILM POLYESTER 0.002 uF 100V J	2	D02018206C060S	
C710	CERAMIC HIK AXIAL 0.1 uF 50V Z	1	D005104597530S	
C710L/R	ELECT GE 85C 4.7 uF 50V M	2	D0404R7087250S	
CP700	CN.WAFER 2.0MM (6P)	1	L101220060000S	
IC700R	NJM2068, LINEAR OP	1	J121206800000S	
L700L/R	INDUCTOR COIL, 47UH	2	D330470001020S	
R700L/R	CARBON FILM 1 kohm 1/5W J	2	C00001026P520S	
R701L/R	CARBON FILM 91 kohm 1/5W J	2	C00009136P520S	
R702L/R	CARBON FILM 91 kohm 1/5W J	2	C00009136P520S	
R703L/R	CARBON FILM 680 ohm 1/5W J	2	C00006816P520S	
R704LR	CARBON FILM 560 kohm 1/5W J	2	C00005646P520S	
R705L/R	CARBON FILM 43 kohm 1/5W J	2	C00004336P520S	
R706L/R	CARBON FILM 560 ohm 1/5W J	2	C00005616P520S	

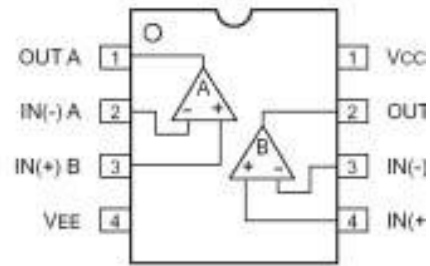
REF No.	DESCRIPTION	Q'TY	PARTS No.	VER.
R707L/R	CARBON FILM 100 kohm 1/5W J	2	C00001046P520S	
R708L/R	CARBON FILM 100 ohm 1/5W J	2	C00001016P520S	
	TER, RCA 2PIN	1	G601206B0301YS	

# IC'S FUNCTIONAL BLOCK DIAGRAM

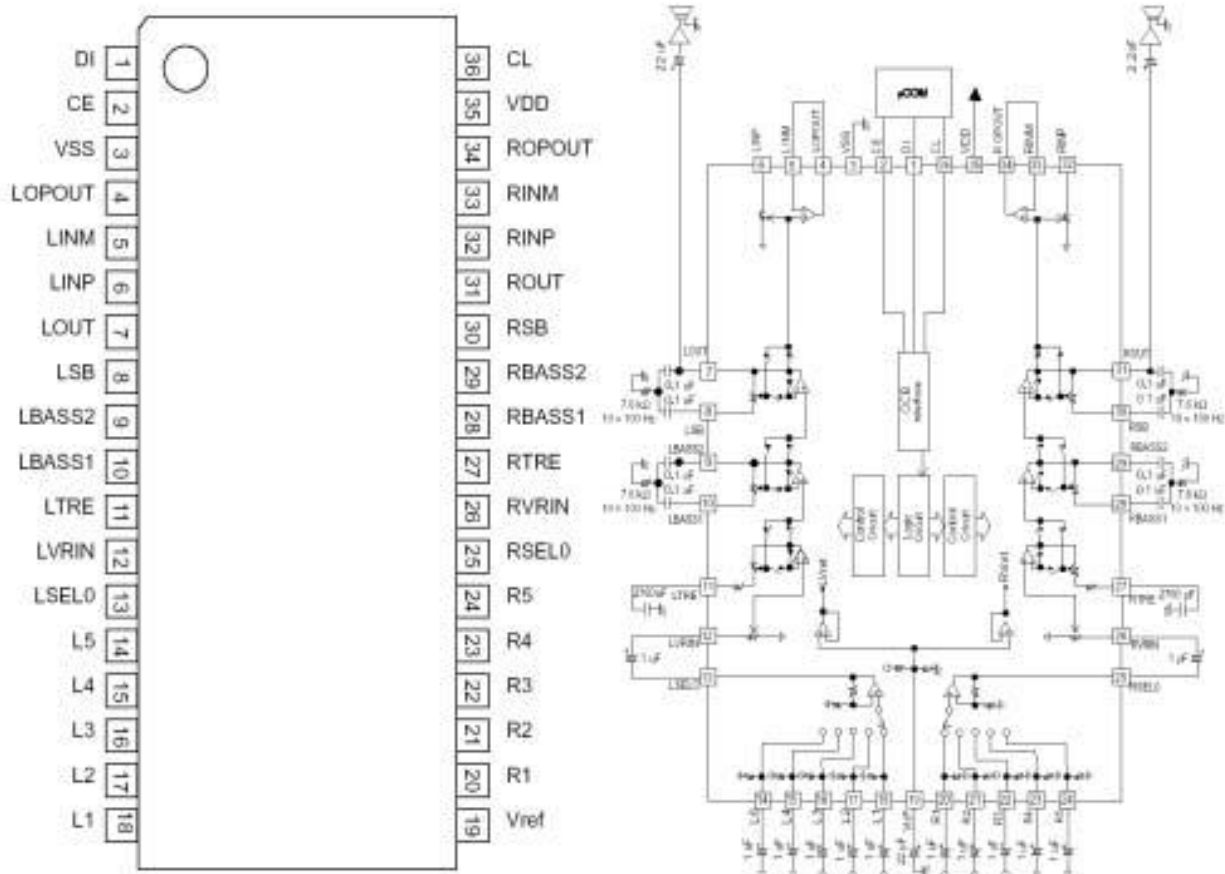
**NC7805CT : IC501**  
**NC7815CT : IC502**



**NJM2068DD : IC601**



**LC75343M : IC101**



# BU1924F : IC402

