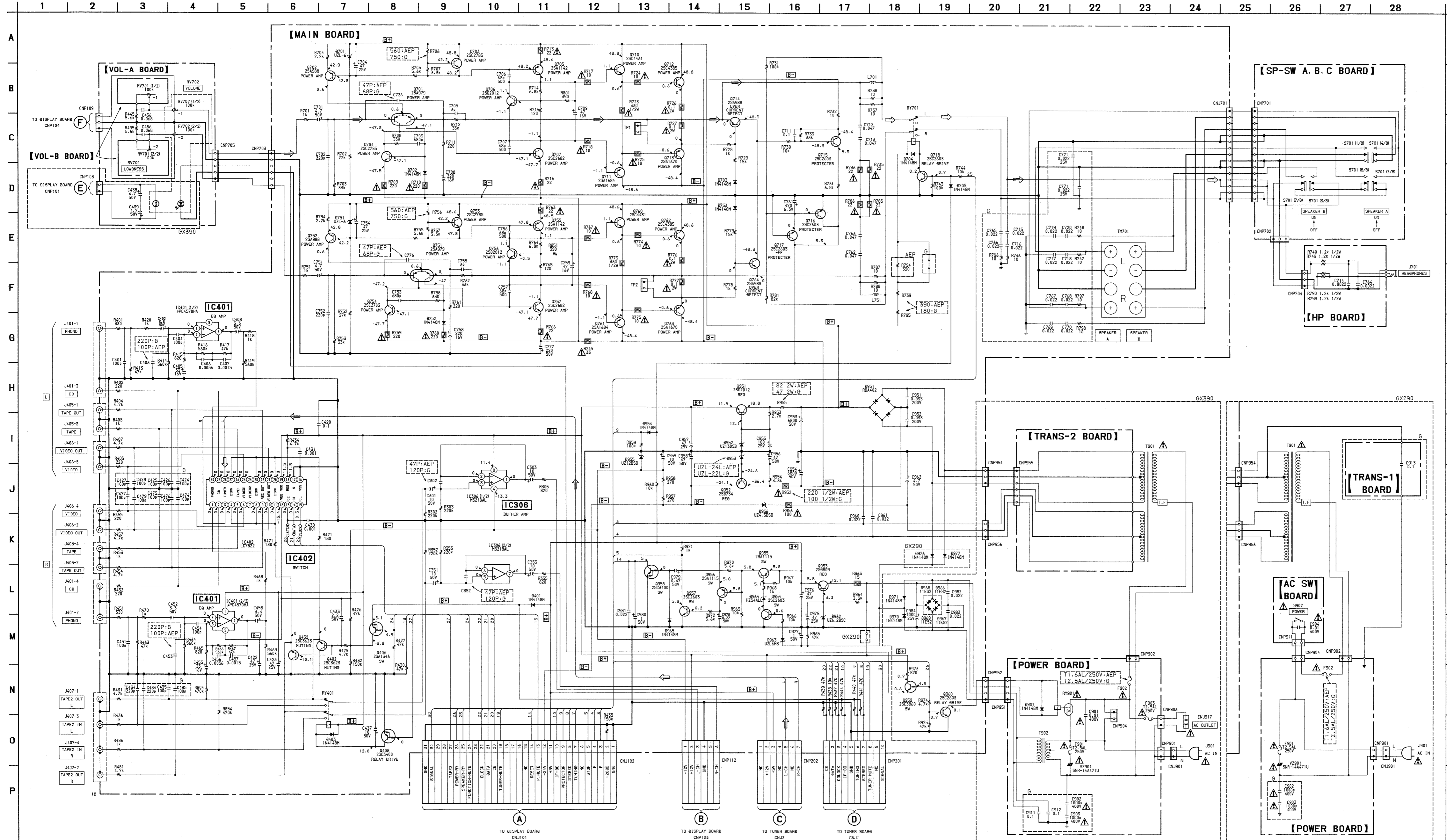
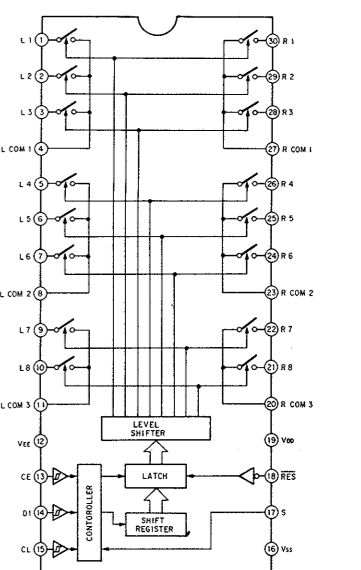


4-4. SCHEMATIC DIAGRAMS—MAIN Section—



● IC Block Diagrams

IC402 LC7822

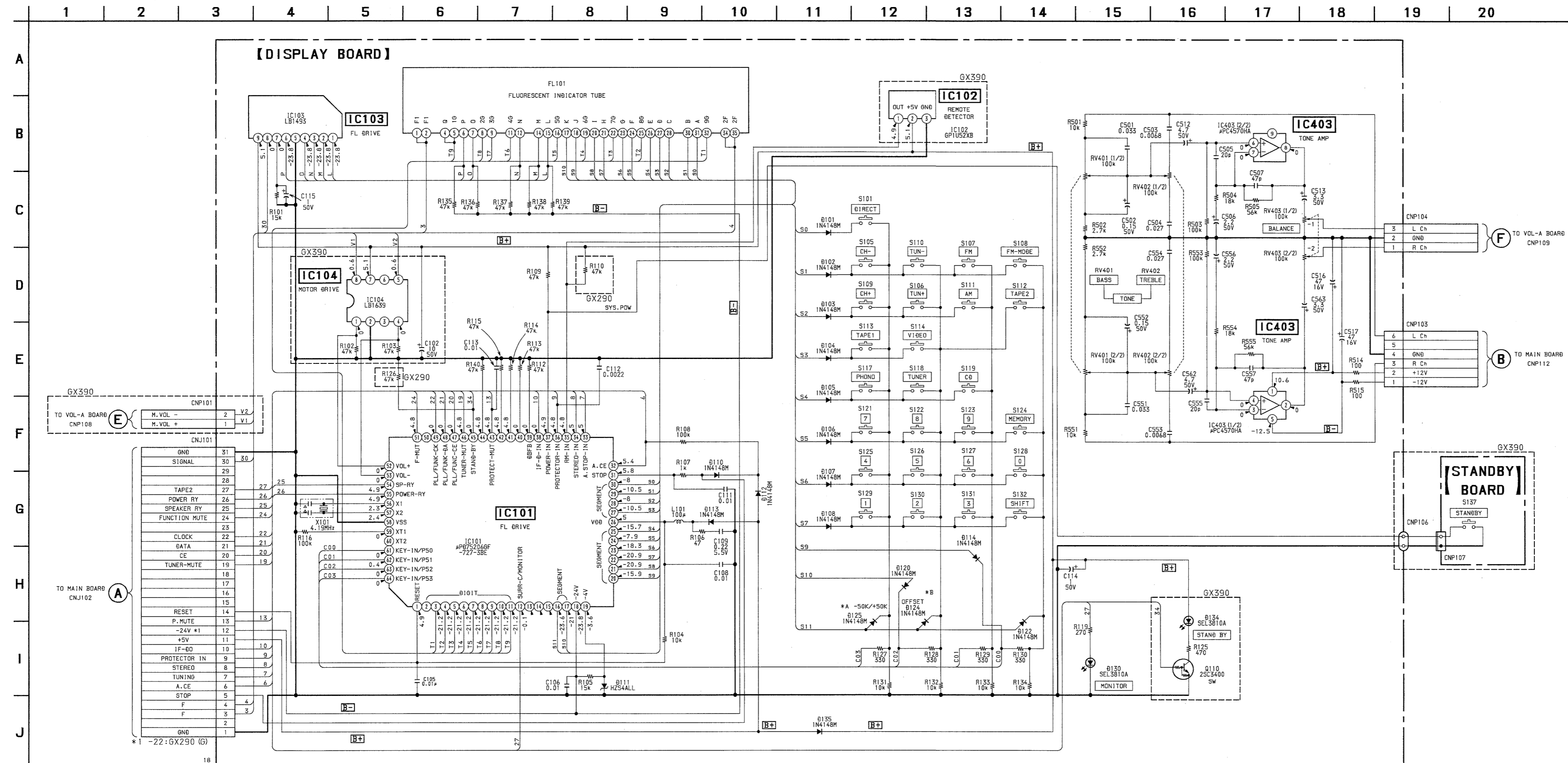


- Note:**
- , \* A, \* B: See page 6 for Note on Ceramic Filter (CF1, 2) Replacement.
  - All capacitors are in  $\mu\text{F}$  unless otherwise noted. pF:  $\mu\text{F}$  50WV or less are not indicated except for electrolytics and tantalums.
  - All resistors are in  $\Omega$  and  $1/2\text{W}$  or less unless otherwise specified.
  - $\Delta$ : internal component.
  - $\square$ : nonflammable resistor.

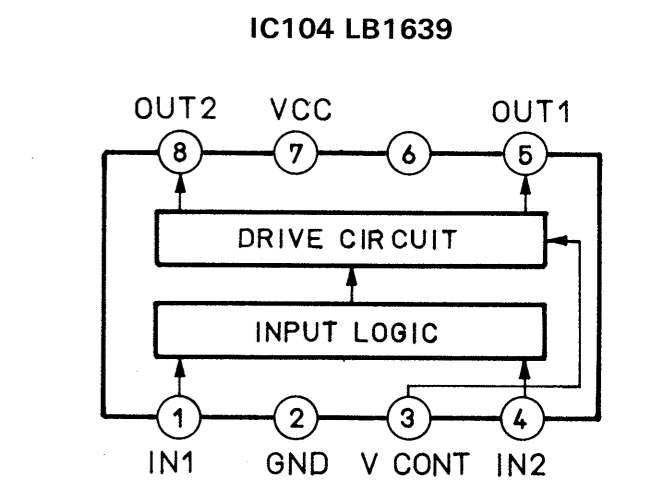
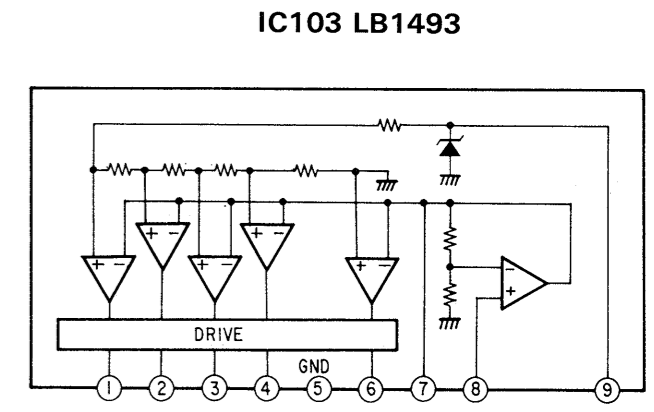
- Note:**
- The components identified by mark  $\Delta$  or dotted line with mark  $\Delta$  are critical for safety. Replace only with part number specified.

- $\square$  B + : B+ Line
- $\square$  B - : B- Line
- $\square$  : adjustment for repair.
- Voltage and waveforms are dc with respect to ground under no-signal (detuned) conditions.
- Voltages are taken with a VOM (Input Impedance 10M $\Omega$ ). Voltage variations may be noted due to normal production tolerances.
- Signal path
- G: Germany

4-6. SCHEMATIC DIAGRAM - DISPLAY Section-



IC Block Diagrams

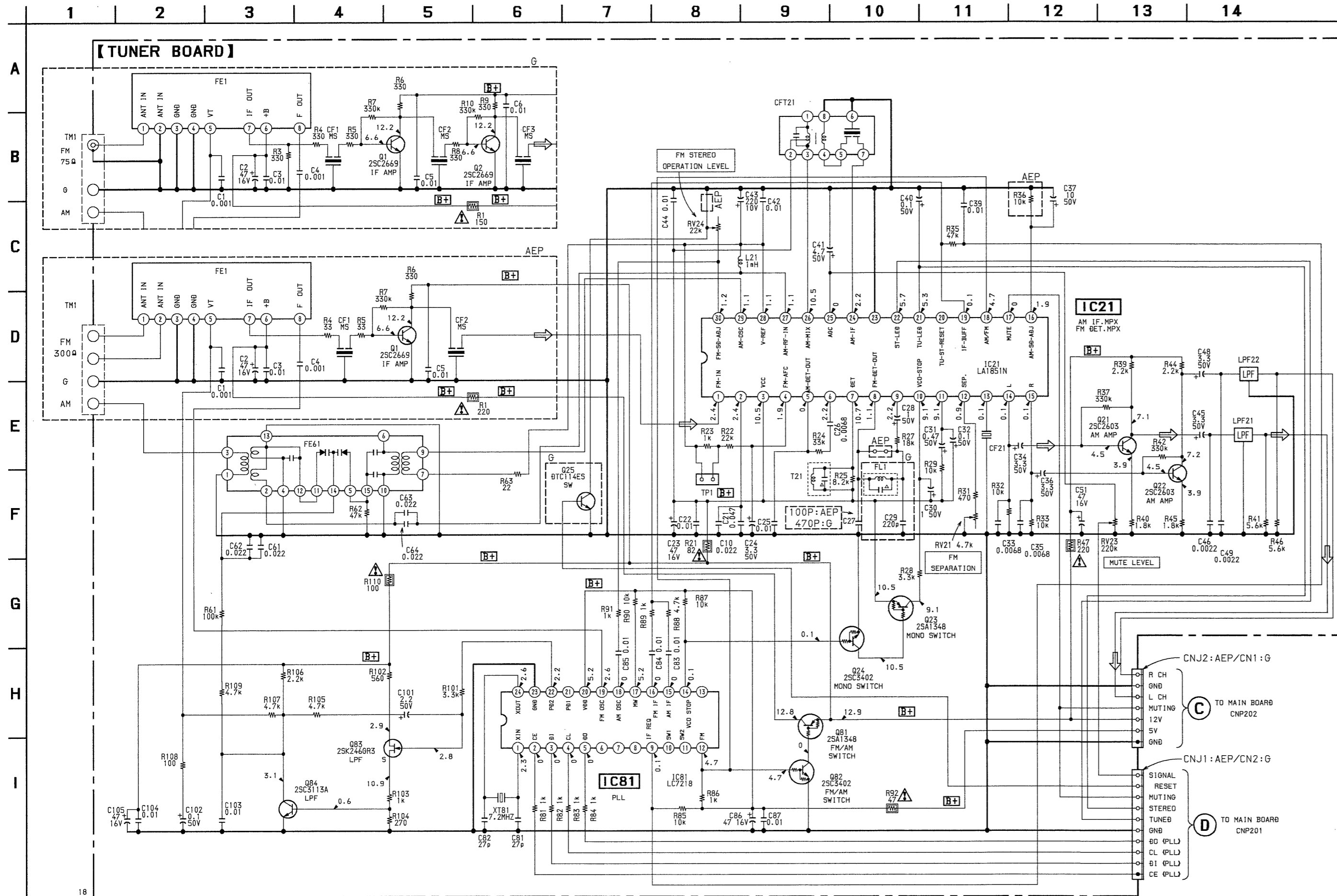


- Note:**
- \*. \*A, \*B: See page 6 for Note on Ceramic Filter (CF1, 2) Replacement.
  - All capacitors are in  $\mu F$  unless otherwise noted.  $pF$ :  $\mu\mu F$  50WV or less are not indicated except for electrolytics and tantalums.
  - All resistors are in  $\Omega$  and  $\frac{1}{4}W$  or less unless otherwise specified.
  - $\triangle$ : internal component.
  - $\square$ : nonflammable resistor.

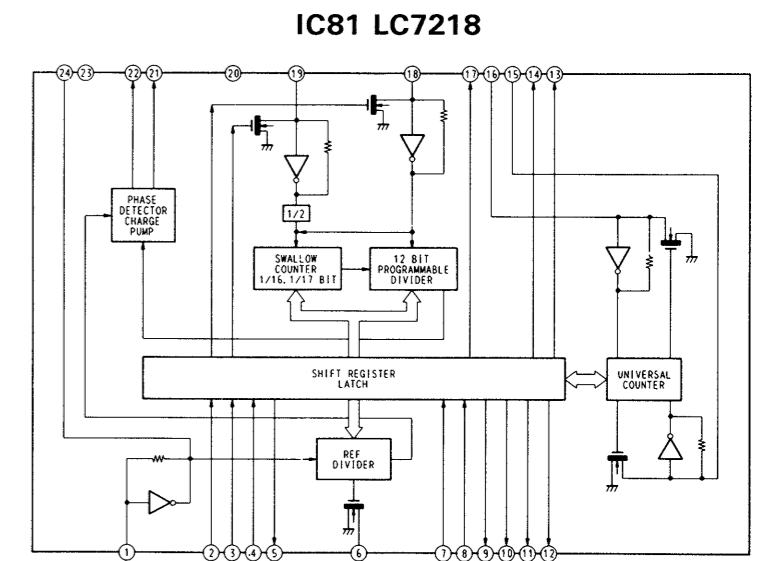
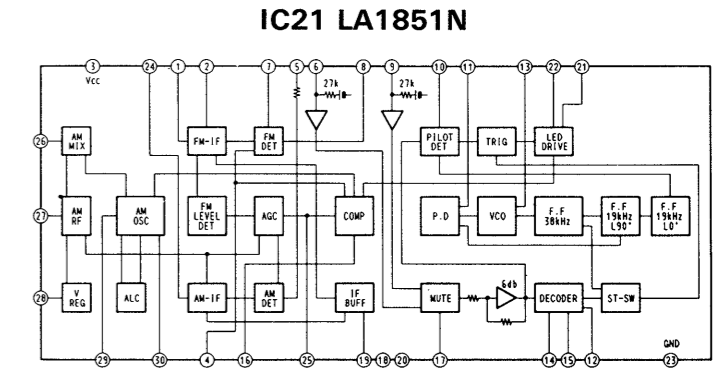
**Note:**  
The components identified by mark  $\triangle$  or dotted line with mark  $\triangle$  are critical for safety. Replace only with part number specified.

- $B+$ : B+ Line
- $B-$ : B- Line
- $\square$ : adjustment for repair.
- Voltage and waveforms are dc with respect to ground under no-signal (detuned) conditions.
- Voltages are taken with a VOM (Input Impedance 10M $\Omega$ ). Voltage variations may be noted due to normal production tolerances.
- Signal path.
- $\Rightarrow$ : FM
- G: Germany

4-7. SCHEMATIC DIAGRAM -TUNER Section-



● IC Block Diagrams



Note:

- \* , \*A, \*B: See page 6 for Note on Ceramic Filter (CF1, 2) Replacement.
- All capacitors are in  $\mu\text{F}$  unless otherwise noted.  $\text{pF}$ :  $\mu\text{F}$  50WV or less are not indicated except for electrolytics and tantalums.
- All resistors are in  $\Omega$  and  $1/4\text{W}$  or less unless otherwise specified.
- $\Delta$ : internal component.
- $\square$ : nonflammable resistor.

Note:

The components identified by mark  $\Delta$  or dotted line with mark  $\Delta$  are critical for safety. Replace only with part number specified.

- $\square$  : B+ Line
- $\square$  : B- Line
- $\square$  : adjustment for repair.
- Voltage and waveforms are dc with respect to ground under no-signal (detuned) conditions.
- Voltages are taken with a VOM (Input Impedance  $10\text{M}\Omega$ ). Voltage variations may be noted due to normal production tolerances.
- Signal path.
- $\rightarrow$  : FM
- G: Germany