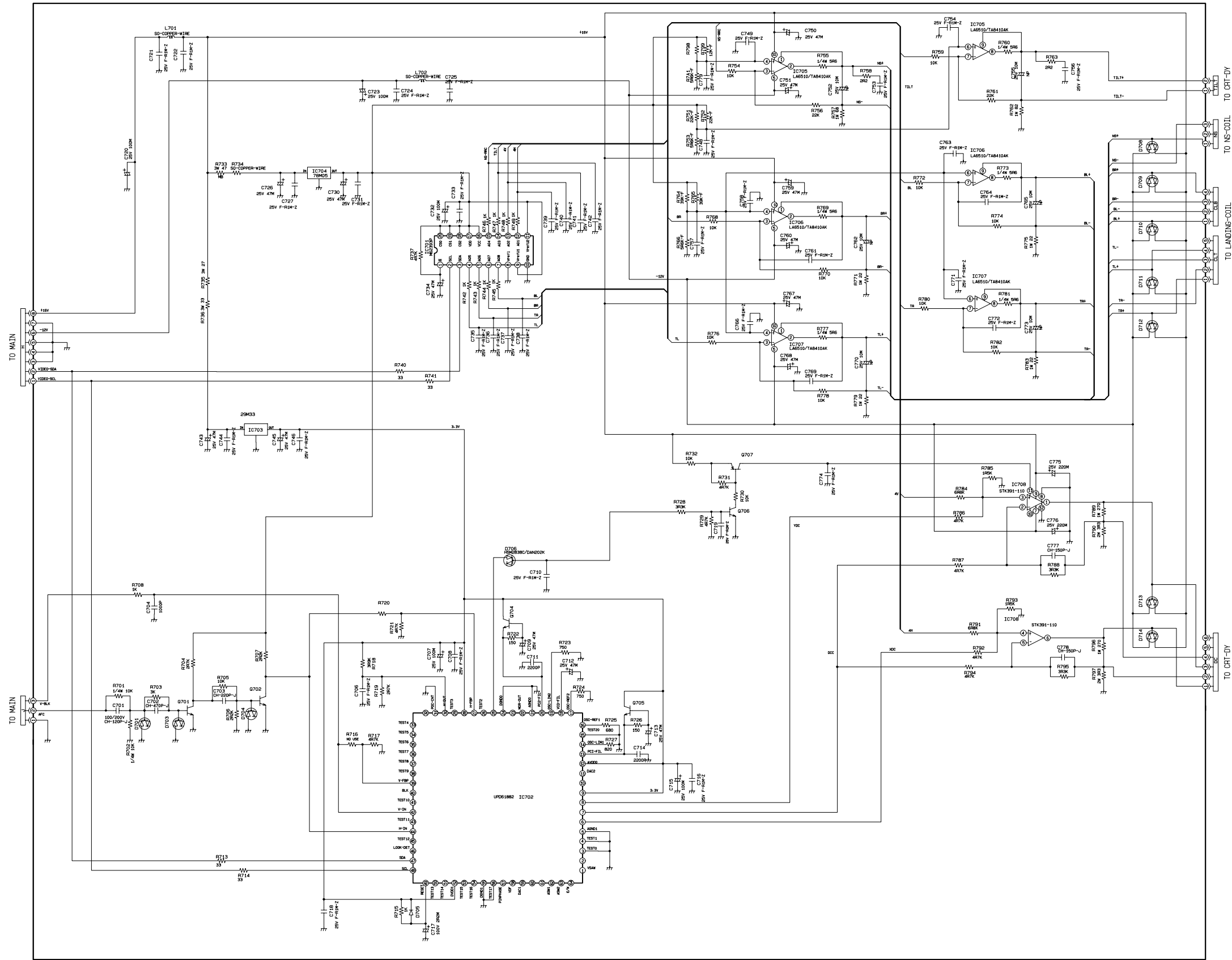


PWB-CORRECTION

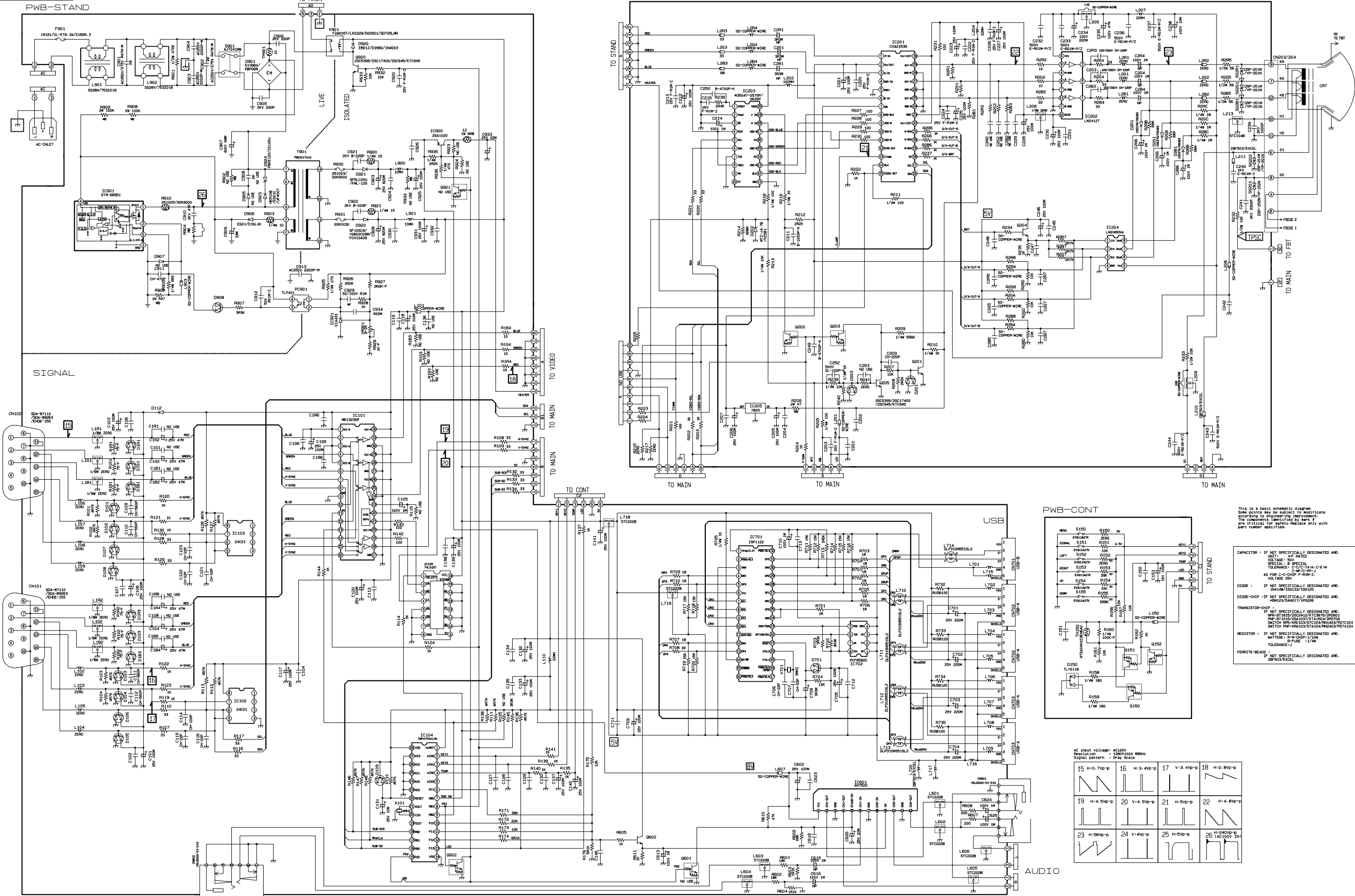


THIS IS A BASIC REFERENCE DIAGRAM.  
 SOME POINTS MAY BE SUBJECT TO MODIFICATION  
 ACCORDING TO MANUFACTURING TOLERANCES.  
 THE COMPONENTS IDENTIFIED BY NAME, PART  
 AND CRITICAL FOR SAFETY. REPLACE ONLY WITH  
 PART NUMBER IDENTIFIED.

- CAPACITOR - IF NOT SPECIFICALLY DESIGNATED ARE:  
 UNIT: . . . μF RATED  
 VOLTAGE: 50V  
 SPECIAL: SPECIAL  
 TOLERANCE: C-5% T-10% C-E-1M  
 C-W-7% P-10% P-10%
- DIODE - IF NOT SPECIFICALLY DESIGNATED ARE:  
 M-16163/DIAG117/1P5228
- TRANSISTOR - IF NOT SPECIFICALLY DESIGNATED ARE:  
 M-16163/DIAG117/1P5228  
 M-16163/DIAG117/1P5228  
 M-16163/DIAG117/1P5228  
 M-16163/DIAG117/1P5228  
 M-16163/DIAG117/1P5228
- RESISTOR - IF NOT SPECIFICALLY DESIGNATED ARE:  
 MULTIPLE: R-C-P-W-P/P/P/1/L/10W  
 TOLERANCE: J

CHANGE	30	IIYAMA CORPORATION				DRAWING TITLE	
	20	DATE 2001-6-22	PARTS-LIST REV. /A		CIRCUIT DIAGRAM		
	10	DRAWN	DESIGNED	CHECKED	APPROVED	DRAWING NO.	
	15						980S021 <sup>3/3</sup>
	GROUP NO.	APPLICABLE MODEL NO.	M. SHIMODA	M. SHIMODA			





This is a basic schematic diagram. Some points may be subject to modification according to engineering improvements. The components identified by the part number in this circuit diagram are subject to change without notice. Replace only with part number specified.

CAPACITOR : IF NOT SPECIFICALLY DESIGNATED ARE:  
 UNIT : μF RATED  
 VOLTAGE : 50V  
 SPECIAL : SPECIAL  
 TOLERANCE : C-C-TALK, C-E-H  
 ALL FOR C-C-CHIP F-RM-Z  
 VOLTAGE 25V

DIODE : IF NOT SPECIFICALLY DESIGNATED ARE:  
 UNIT : μF RATED  
 VOLTAGE : 50V  
 DIODE-CHIP IF NOT SPECIFICALLY DESIGNATED ARE:  
 1M44/1M53/1M100

TRANSISTOR-CHIP : IF NOT SPECIFICALLY DESIGNATED ARE:  
 UNIT : μF RATED  
 PNP: 8T015/2SA1037/AT1504/2P0705  
 NPN: 8T015/2SA1037/AT1504/2P0705  
 SWITCH: 8T015/2SA1037/AT1504/2P0705

RESISTOR : IF NOT SPECIFICALLY DESIGNATED ARE:  
 UNIT : μF RATED  
 TOLERANCE : ±5%  
 FUSE : 1/4W

FERRITE-BEAD : IF NOT SPECIFICALLY DESIGNATED ARE:  
 ZP503/EXCEL

