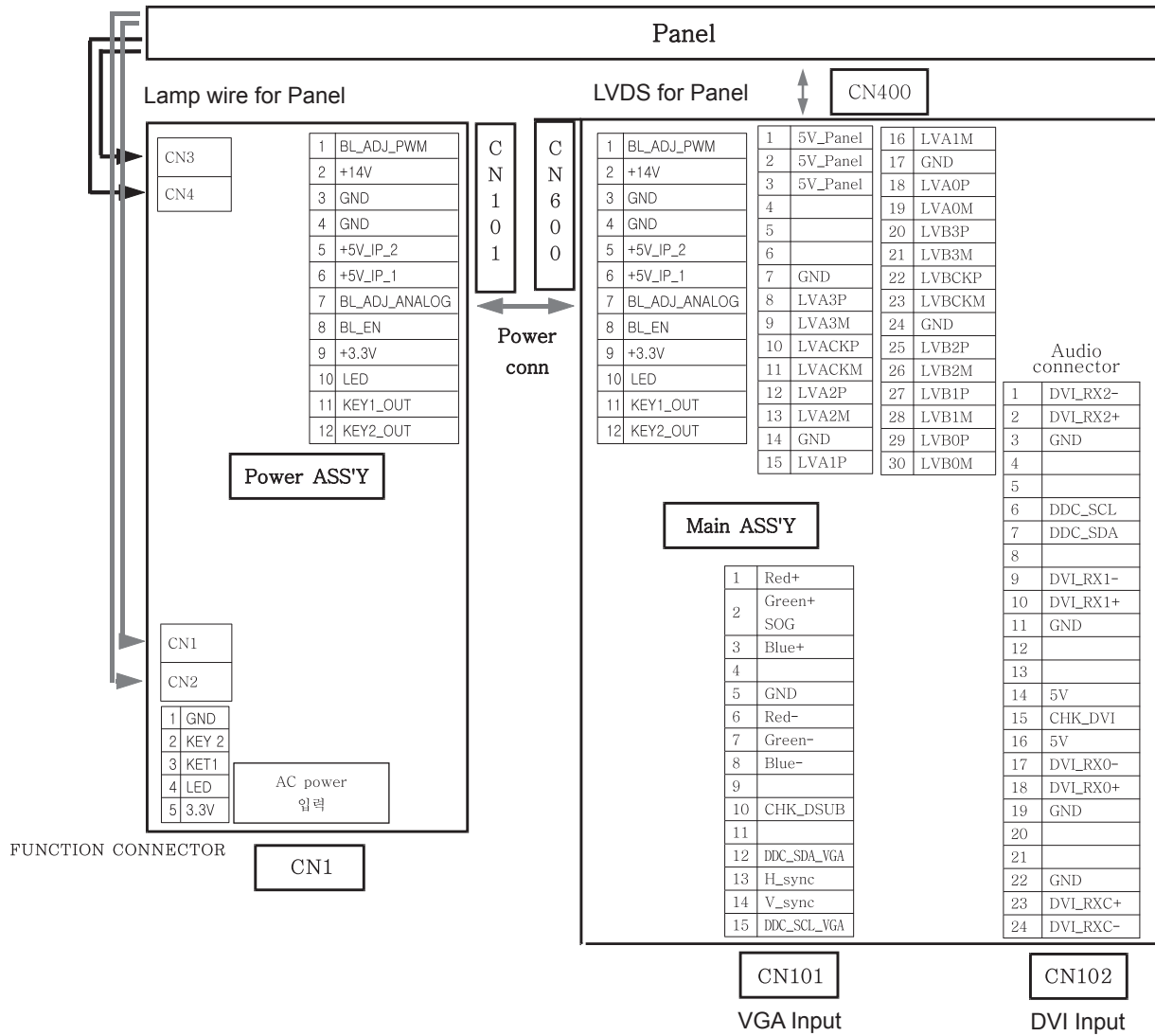
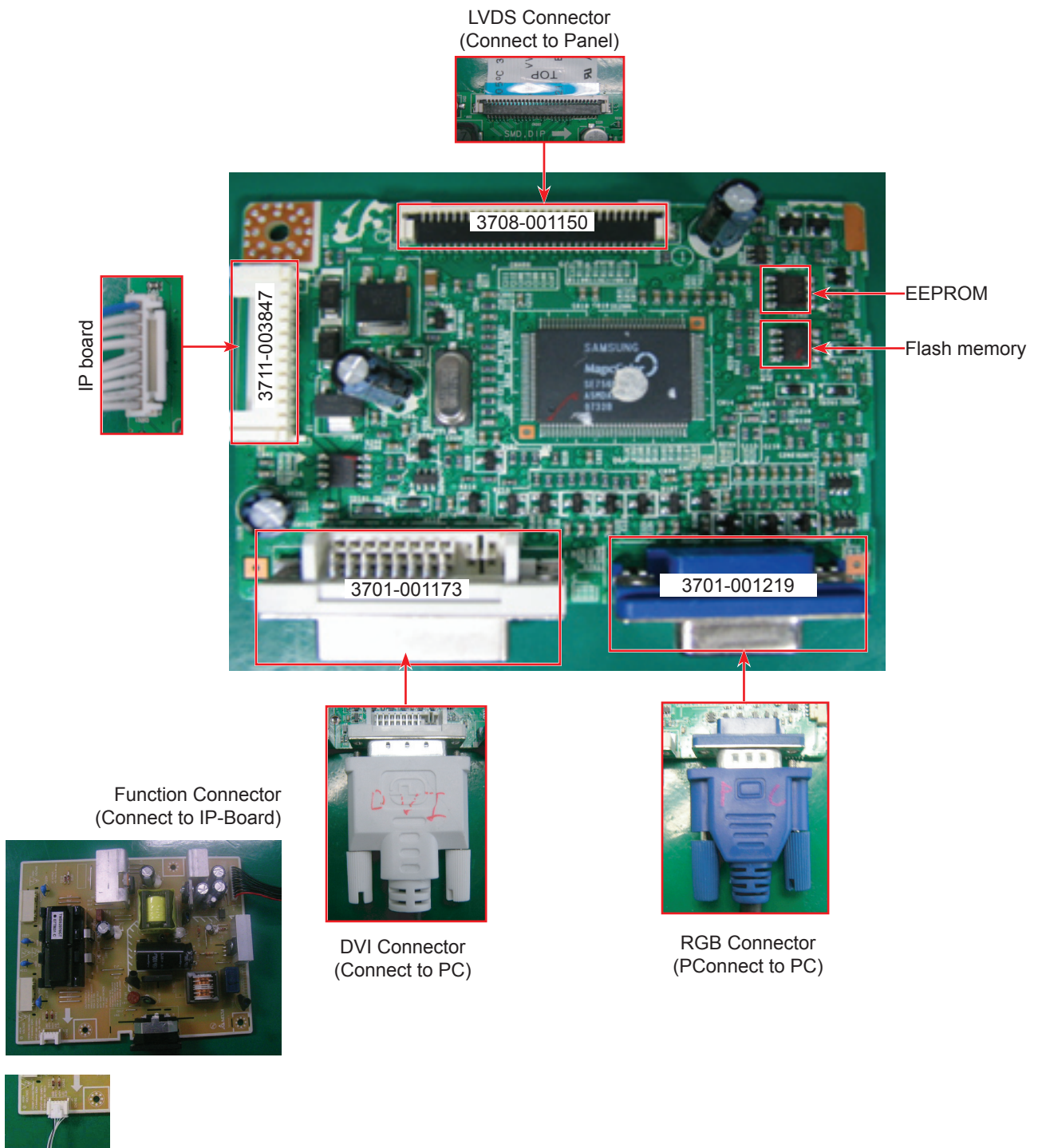


6. Wiring Diagram

6-1. Wiring Diagram - Main Board




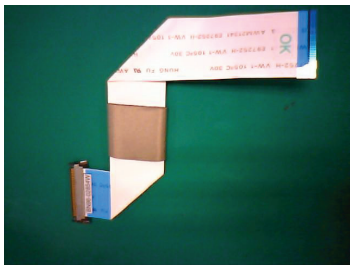
6-2. Wiring Diagram - IP Board



6-3. Connector Functions

Connector	Functions
CN102 (used on 743B / 943B only)	DVI signal input terminal * When a problem occurs : The No DVI output error may occur.
CN1 ~ CN4 In	Transmits the lamp current (6mA ~ 7mA) generated in the inverter to the lamp of the panel. * When a problem occurs: The Blank Screen error may occur.
CN600	Transmits the input power of 90 to 263V to the power board. * When a problem occurs: The No Power error may occur.
CN102 (IP BOARD)	Connects the function board. * When a problem occurs: The No LED screen and Function failure errors may occur.
CN101	VGA signal input terminal * When a problem occurs: The No RGB output error may occur.
CN400	Transmits the LVDS signals from the main board to the panel. * When a problem occurs: The Blank screen and No Power errors may occur

6-4. Cables

Use	LVDS 30P FFC cable (17")	LVDS 30P FFC cable (19")
Code	BN96-02854X	BN96-02854W
Photo		

Memo