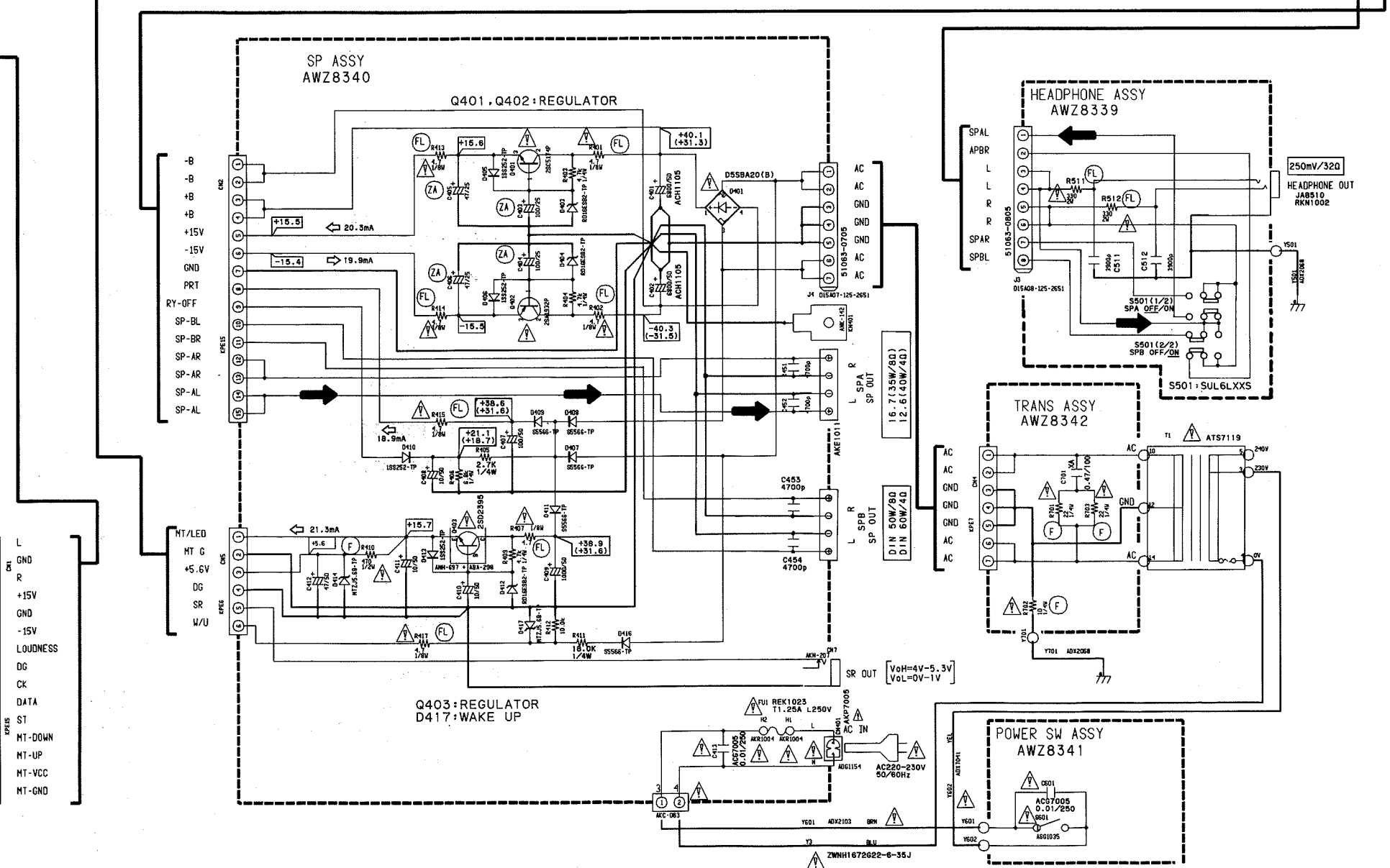
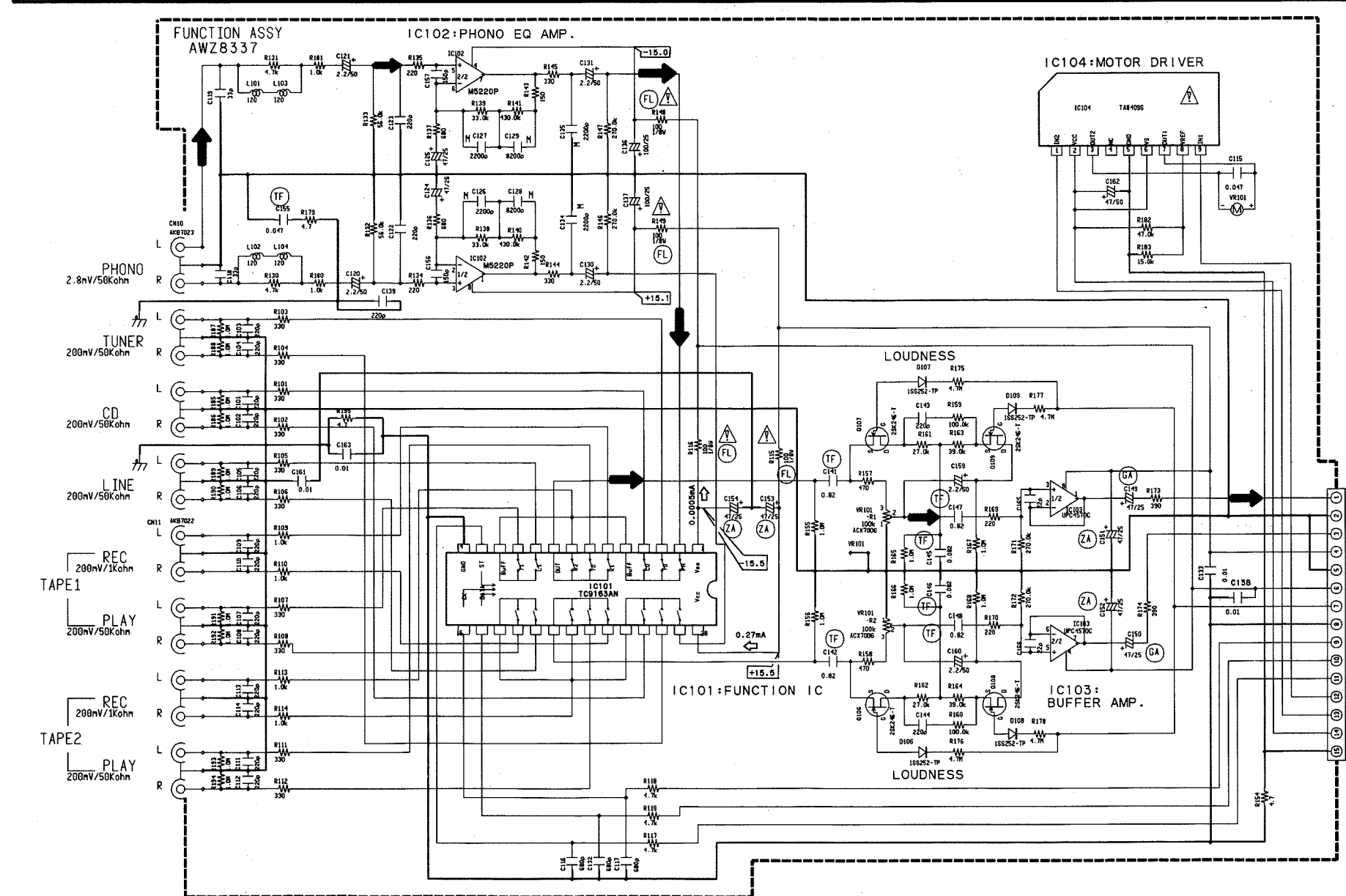
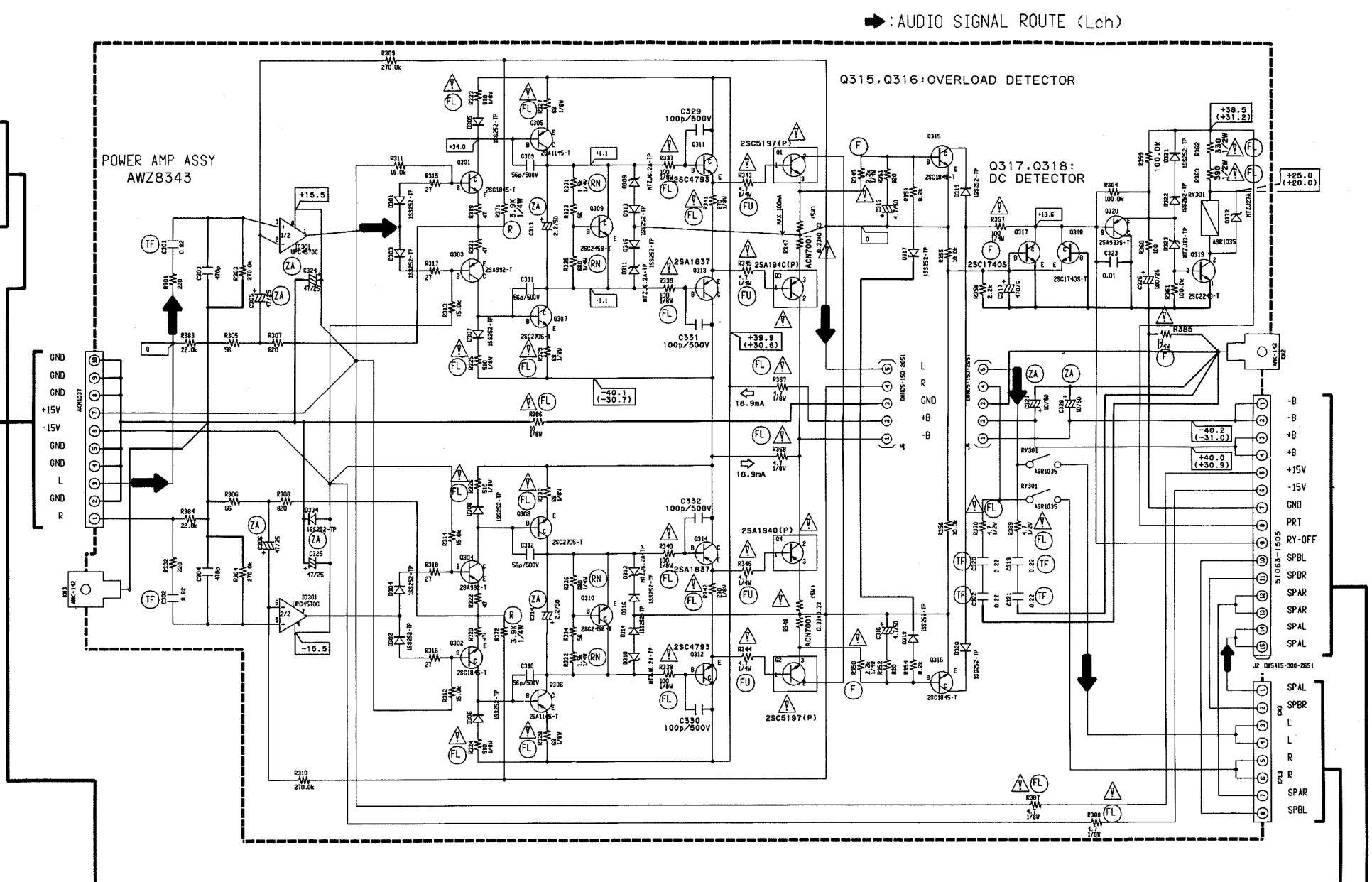
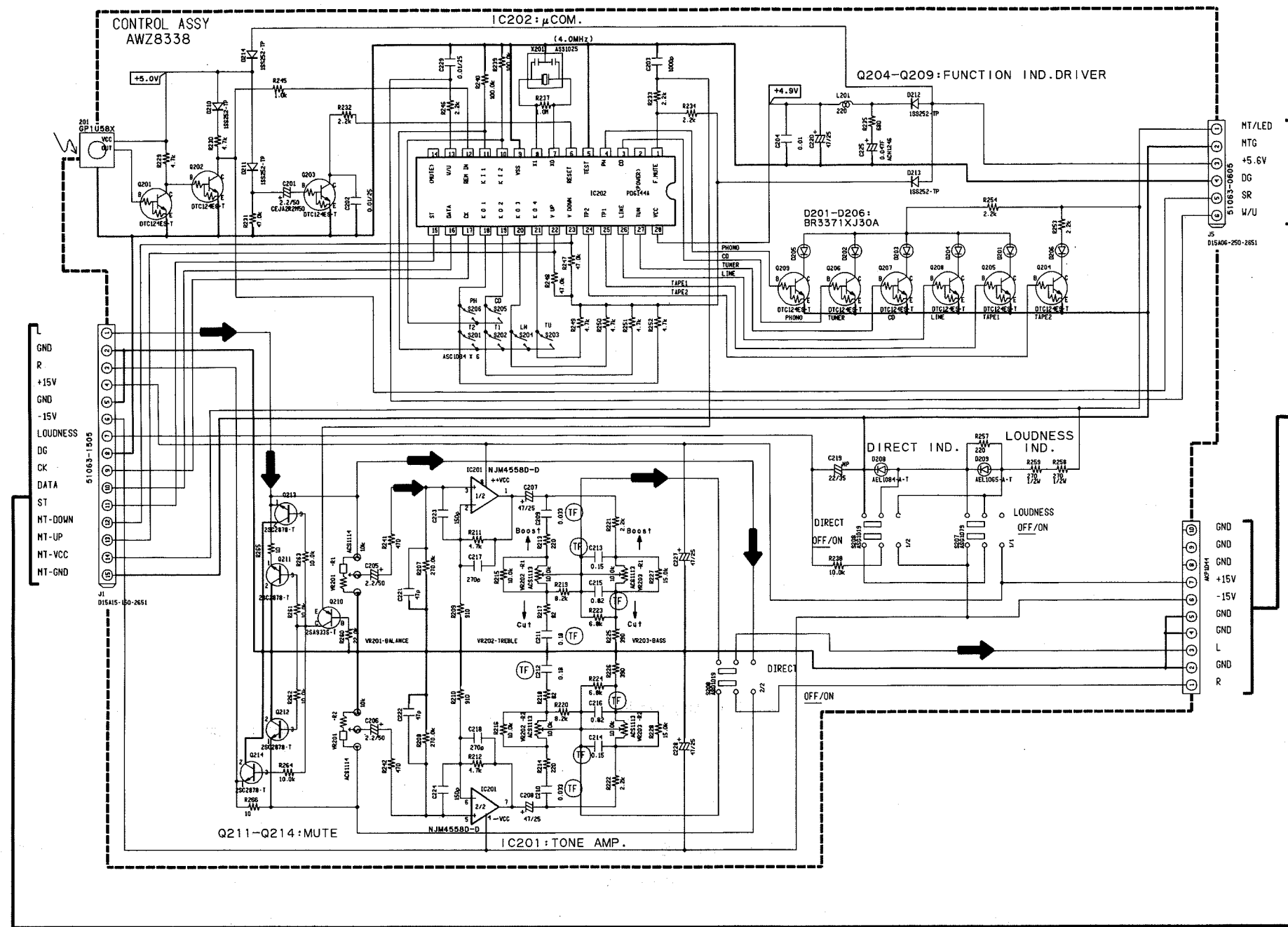


3. SCHEMATIC AND PCB CONNECTION DIAGRAMS



NOTE FOR SCHEMATIC DIAGRAMS (Type 1A)

- 1. When ordering service parts, be sure to refer to "PARTS LIST OF EXPLODED VIEWS" or "PCB PARTS LIST".**
- 2. Since these are basic circuits, some parts of them or the values of some components may be changed for improvement.**
- 3. RESISTORS:**
Unit: k Ω , M Ω , or Ω unless otherwise noted.
Rated power: 1/4W, 1/2W, 1/8W, 1/10W unless otherwise noted.
Tolerance: (F): $\pm 1\%$, (G): $\pm 2\%$, (K): $\pm 10\%$, (M): $\pm 20\%$ or $\pm 5\%$ unless otherwise noted.
- 4. CAPACITORS:**
Unit: pF or μF unless otherwise noted.
Ratings: capacitor (μF)/voltage(V) unless otherwise noted.
Rated voltage: 50V except for electrolytic capacitors.

- 5. COILS:**
Unit: mH or μH unless otherwise noted.
- 6. VOLTAGE AND CURRENT:**
V : Signal voltage at rated output.
or \leftarrow V :
DC voltage (V) at no input signal unless otherwise noted.
Value in () is DC voltage at rated power.
mA or \leftarrow mA :
DC current at no input signal unless otherwise noted.

- 7. OTHERS:**
 - ⊙ or ⊗ : Adjusting point.
 - ⊙ : Measurement point.
 - The Δ mark found on some component parts indicates the importance of the safety factor of the parts. Therefore, when replacing, be sure to use parts of identical designation.

- 8. SCH-□ ON THE SCHEMATIC DIAGRAM:**
 - SCH-□ indicates the drawing number of the schematic diagram. (SCH stands for schematic diagram.)
- 9. SWITCHES (Underline indicates switch position):**
 - CONTROL ASSY
 - S201 : TAPE 2
 - S202 : TAPE 1
 - S203 : TUNER
 - S204 : LINE
 - S205 : CD
 - S206 : PHONO
 - S207 : LOUDNESS OFF/ON
 - S208 : DIRECT OFF/ON
 - POWER SW ASSY
 - S601 : POWER
 - HEADPHONE ASSY
 - S501 : SPA OFF/ON
 - SPB OFF/ON