

Description

The MIX3001 is a high efficiency, 3W/channel stereo class-D audio power amplifier. A Low noise, filterless architecture eliminates the out filter, it required few external components for operation to save the board space and cost.

Operating from a single 5V supply, the MIX3001 is capable of driving 3.2W/CH into 3 Ω at 5V.

The MIX3001 features shutdown and mute controls functions. High PSRR and differential architecture provide increased immunity to noise and RF rectification.

The MIX3001 is available in SOP-16 PB-Free package.

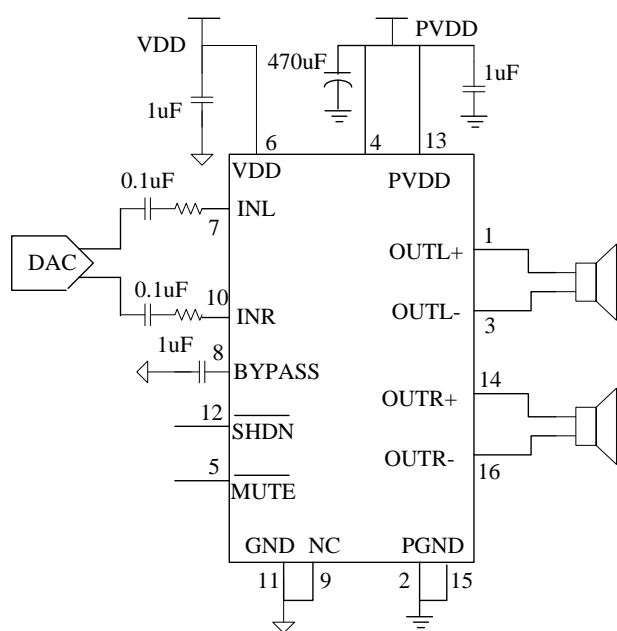
Features

- ◆ Low EMI Emission
- ◆ FM Non-Interference
- ◆ Filterless Class-D Architecture
- ◆ Output Power
 - 3.2W/ch into 3Ω at 5V
 - 1.7W/ch into 8Ω at 5V
- ◆ Supply Voltage:2.2V to 5.0V
- ◆ Low THD+N and Low Noise
- ◆ High Efficiency up to 85%
- ◆ Short Circuit auto Recovery and Thermal Protection
- ◆ Few External Components to Save the Space and Cost

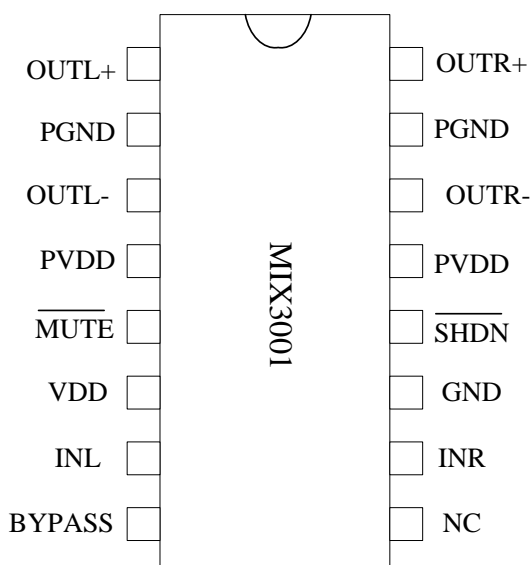
Applications

- ◆ Portable DVD Players
- ◆ Notebook PC
- ◆ USB Speakers, Portable Speaker
- ◆ LCD TV/LCD Monitor

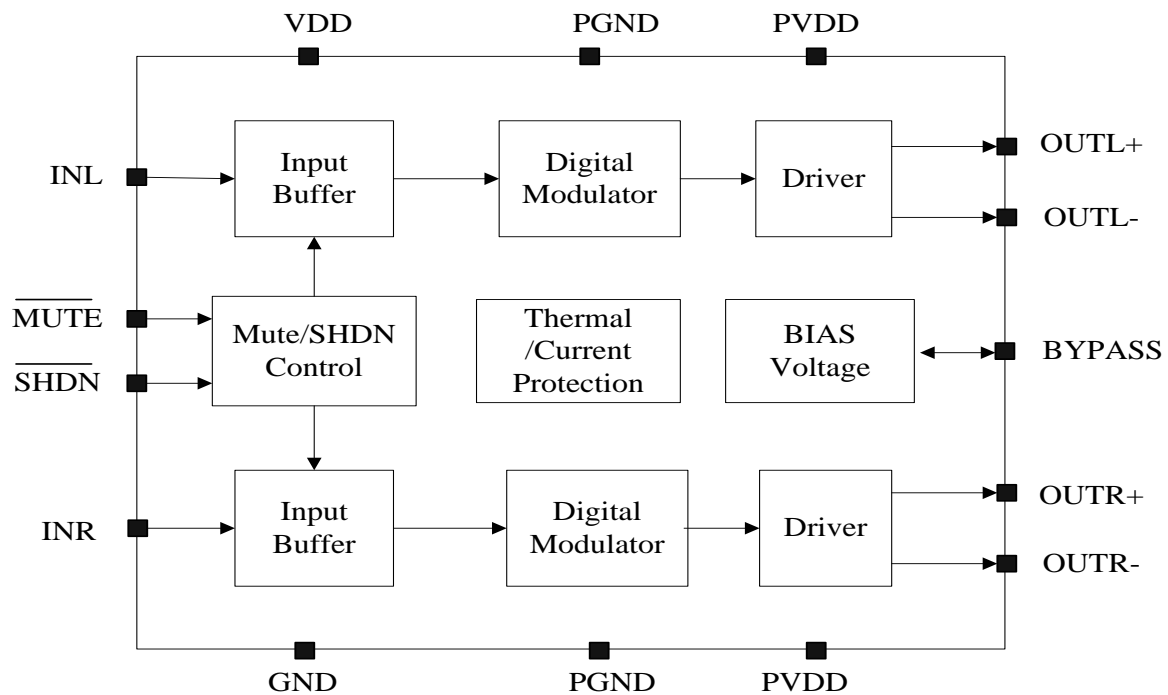
Typical Application



Pin Configuration



Block Diagram



Pin Descriptions

| Name | Pin No. | I/O | Pin Description |
|------|--------------------------|-----|--|
| 1 | OUTL+ | O | Left Channel Positive Audio Output |
| 2,15 | PGND | | Power Ground |
| 3 | OUTL- | O | Left Channel Negative Audio Output |
| 4,13 | PVDD | | Supply Voltage Terminal for Power Stage |
| 5 | $\overline{\text{MUTE}}$ | I | Mute Control Input Pin (active low) |
| 6 | VDD | | Analog Supply Voltage Terminal |
| 7 | INL | I | Left Channel Input Pin |
| 8 | BYPASS | I | Tap to voltage divider for internal midsupply bias generator used for analog reference |
| 9 | NC | | No Connection |
| 10 | INR | I | Right Channel Input Pin |
| 11 | GND | | Analog Power Supply Ground |
| 12 | $\overline{\text{SD}}$ | I | Shutdown Control Input Pin (active low) |
| 14 | OUTR- | O | Right Channel Negative Audio Output |
| 16 | OUTR+ | O | Right Channel Positive Audio Output |

Ordering Information

| Order Number | Package Type | Marking | Packing |
|--------------|--------------|--------------------|-----------|
| MIX3001 | SOP-16 | MIX3001 XXXXXXX | Reel Tape |
| | | | Tube |

Absolute Maximum Ratings (Over operating free-air temperature, unless otherwise noted)

| | | |
|------------------|---|--------------------------------|
| V _{SS} | Supply voltage | -0.3V to 5.5V |
| V _I | Input voltage | -0.3V to V _{DD} +0.3V |
| T _A | Operation free-air temperate range | -40°C to 85°C |
| T _J | Operation free-air junction temperature | -40°C to 125°C |
| T _{STG} | Storage temperature range | -65°C to 150°C |
| T _{SLD} | Soldering temperature | 300°C, 5sec |

Recommended Operating Conditions

| | | | MIN | MAX | UNIT |
|-----------------|---------------------------|-----------------------|-----|-----|------|
| V _{SS} | Supply Voltage | AVDD, PVDD | 2.2 | 5.0 | V |
| V _{IH} | Enable Input High Voltage | V _{DD} =5.0V | 1.3 | | V |
| V _{IL} | Enable Input Low Voltage | V _{DD} =5.0V | | 0.4 | |
| V _{IH} | Mute Input High Voltage | V _{DD} =5.0V | 1.3 | | V |
| V _{IL} | Mute Input Low Voltage | V _{DD} =5.0V | | 0.4 | |

Thermal Information

| Parameter | Symbol | Package | MAX | UNIT |
|--|---------------|---------|-----|------|
| Thermal Resistance (Junction to Ambient) | θ_{JA} | SOP-16 | 110 | °C/W |
| Thermal Resistance (Junction to Case) | θ_{JC} | SOP-16 | 23 | °C/W |

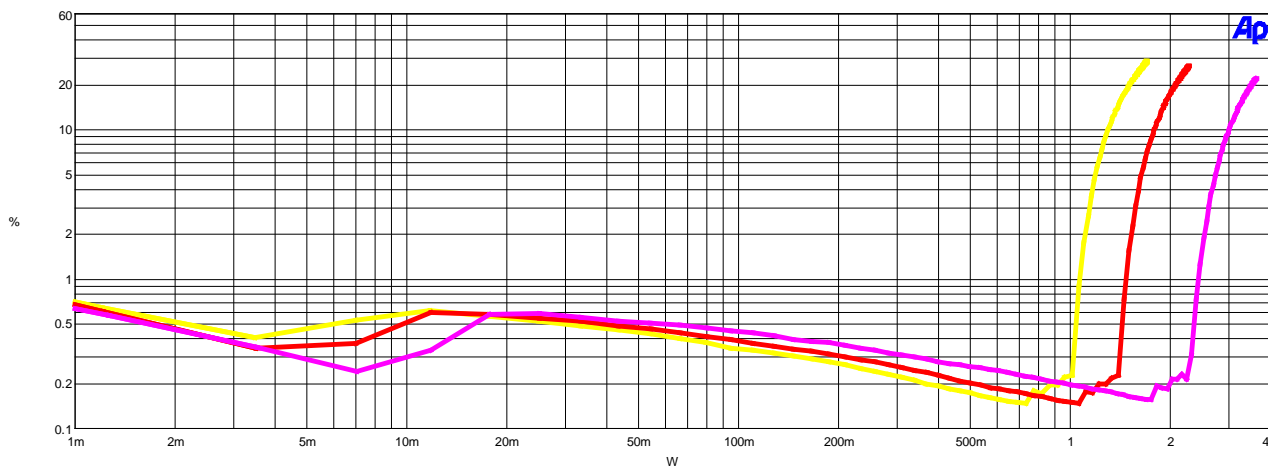
Electrical Characteristics (V_{DD} =5V, Gain=25dB, R =8Ω, T =25°C, unless otherwise noted.)

| Symbol | Parameter | Test Conditions | MIN | TYP | MAX | UNIT |
|------------------------------------|--------------------------------------|---|-----------------------|------|-----|------|
| V _{IN} | Supply Power | | 2.2 | | 5.0 | V |
| P _O | Output Power | THD+N=10%,f=1KHZ,R _L =4Ω | V _{DD} =5.0V | 2.8 | | W |
| | | | V _{DD} =3.6V | 1.3 | | |
| | | THD+N=1%,f=1KHZ,R _L =4Ω | V _{DD} =5.0V | 2.1 | | W |
| | | | V _{DD} =3.6V | 1 | | |
| | | THD+N=10%,f=1KHZ,R _L =8Ω | V _{DD} =5.0V | 1.7 | | W |
| | | | V _{DD} =3.6V | 0.8 | | |
| THD+N=1%,f=1KHZ,R _L =8Ω | V _{DD} =5.0V | 1.20 | | W | | |
| | V _{DD} =3.6V | 0.6 | | | | |
| THD+N | Total Harmonic Distortion Plus Noise | V _{DD} =5.0V, P _O =0.5W, R _L =8Ω | f=1KHz | 0.15 | | % |
| | | V _{DD} =3.6V, P _O =0.5W, R _L =8Ω | | 0.14 | | |
| | | V _{DD} =5.0V, P _O =1W, R _L =4Ω | f=1KHz | 0.18 | | % |
| | | V _{DD} =3.6V, P _O =1W, R _L =4Ω | | 0.16 | | |

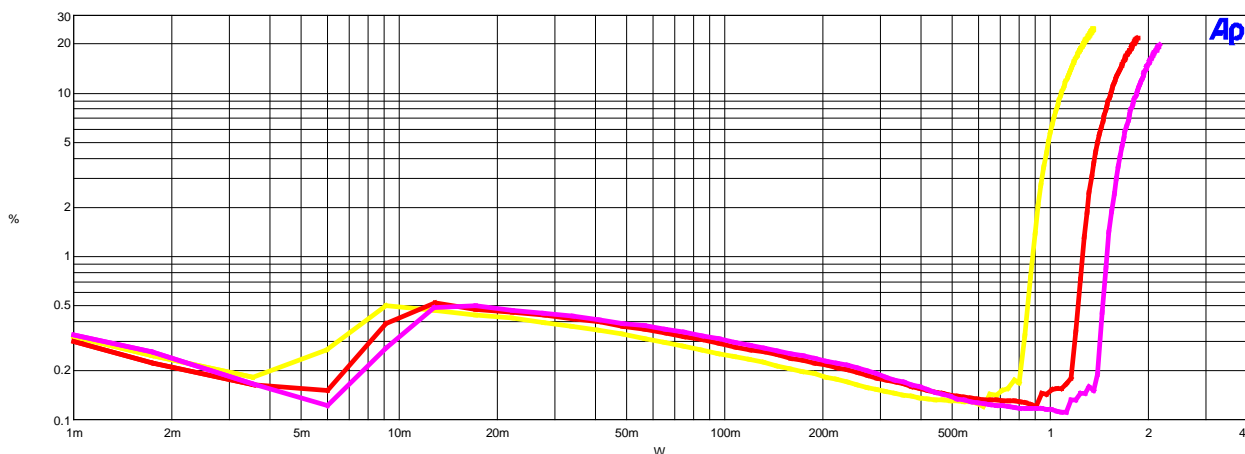
Continued

| Symbol | Parameter | Test Conditions | MIN | TYP | MAX | UNIT |
|------------|-------------------------------|--|-----------------|-----|-----|-------------|
| G_V | Gain | | | 25 | | dB |
| PSRR | Power Supply Ripple Rejection | $V_{DD}=5.0V$, Inputs ac-grounded with $C_{IN}=0.47\mu F$ | | -55 | | dB |
| C_S | Crosstalk | $V_{DD}=5.0V$, $P_O=0.5W$, $R_L=8\Omega$, $G_V=25dB$ | | -85 | | dB |
| SNR | Signal-to-Noise Ratio | $V_{DD}=5.0V$, $V_{rms}=1V$, $G_V=25dB$ | | 82 | | dB |
| V_n | Output Noise | $V_{DD}=5.0V$, Inputs floating with $C_{IN}=0.47\mu F$ | A-weighting | 87 | | μV |
| | | | No A-weighting | 136 | | |
| Dyn | Dynamic range | $V_{DD}=5.0V$, THD=1% | | 90 | | dB |
| η | Efficiency | $R_L=8\Omega$, THD=10% | $f=1KHz$ | 85 | | % |
| | | $R_L=4\Omega$, THD=10% | | 80 | | |
| I_Q | Quiescent Current | $V_{DD}=5.0V$ | No Load | 5 | | mA |
| | | $V_{DD}=3.0V$ | | 3.6 | | |
| I_{MUTE} | Muting Current | $V_{DD}=5.0V$ | $V_{MUTE}=0.3V$ | 3.5 | | mA |
| I_{SD} | Shutdown Current | $V_{DD}=2.5V$ to $5.5V$ | $V_{SD}=0.3V$ | | 1 | μA |
| V_{OS} | Output Offset Voltage | $V_{IN}=0V$, $V_{DD}=5V$ | | 10 | | mV |
| OTP | Over Temperature Protection | No Load, Junction Temperature | $V_{DD}=5.0V$ | 135 | | $^{\circ}C$ |
| OTH | Over Temperature Hysteresis | | | 20 | | |

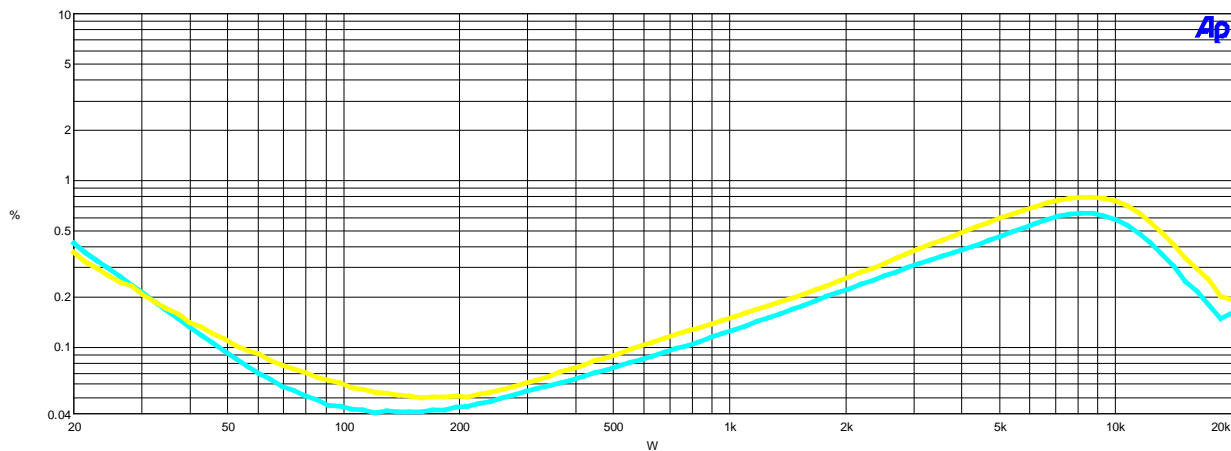
Typical Operating Characteristics (T =25°C)



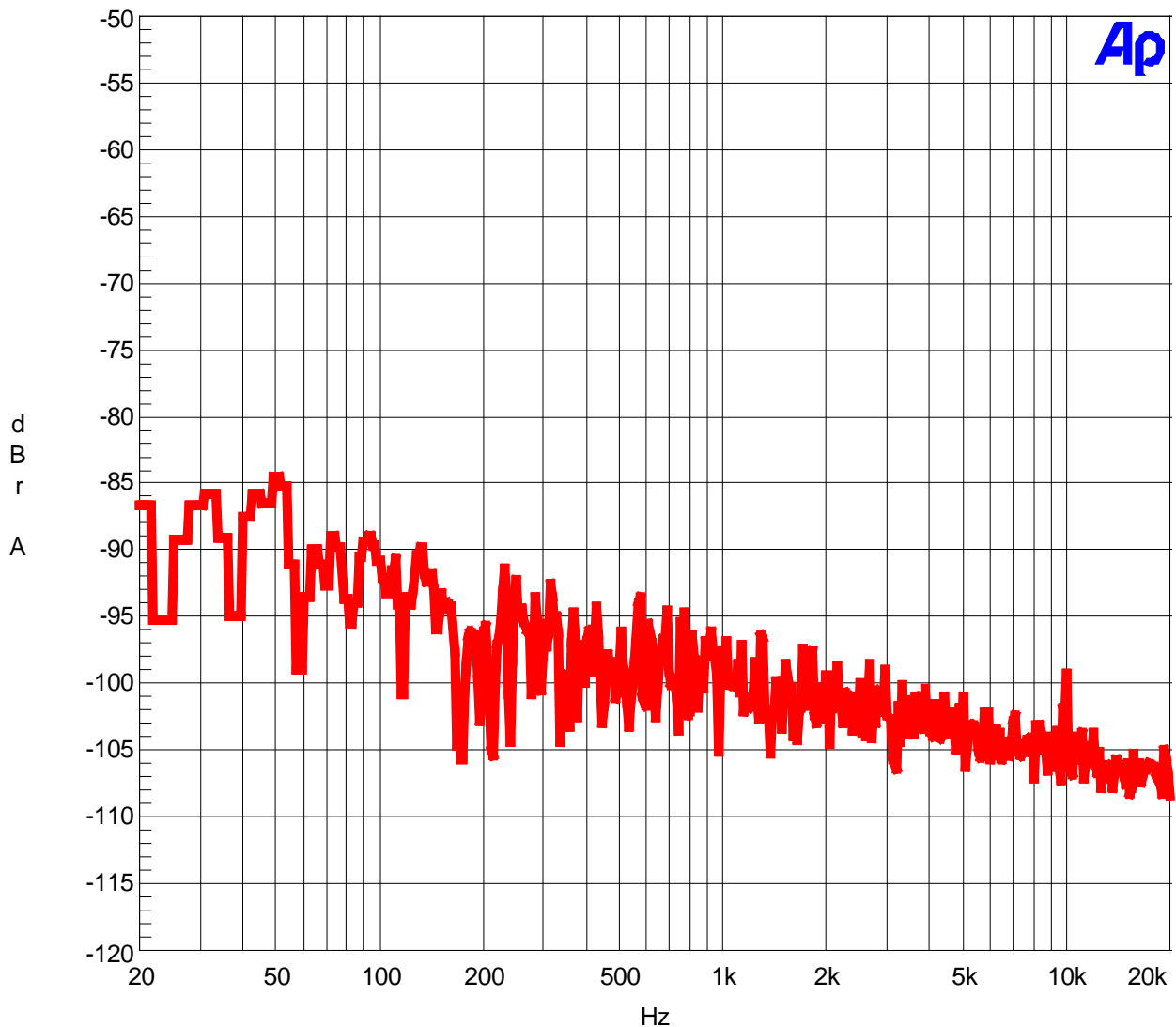
THD+N VS OUT POWER (RL=4ohm Gain=25dB,f=1kHz)



THD+N VS OUT POWER (RL=8ohm Gain=25dB,f=1kHz)



THD+N VS FREQUENCY(PO=1W,RL=8Ω Gain=25dB)



NOISE FLOOR FFT (VDD=5V,RL=8 Ω Gain=25dB)

Application Information

Mute Operation

The $\overline{\text{MUTE}}$ pin is an input for controlling the output state of the MIX3001. A logic high on this pin enables the outputs, a logic low on this pin disables the outputs. The terminal may be used as a quick disable/enable of the outputs when changing channels between different audio sources. The $\overline{\text{MUTE}}$ pin can be left floating due to the internal pull-up.

Shutdown operation

The MIX3001 employs a shutdown mode of operation designed to reduce supply current to the absolute minimum level during periods of nonuse for power conservation. The $\overline{\text{SHDN}}$ input terminal should be held high during normal operation when the amplifier is in use. The $\overline{\text{SHDN}}$ pin can be left floating due to the internal pull-up.

Under Voltage Lock-out (UVLO)

The MIX3001 incorporates circuitry designed to detect low supply voltage. When the supply voltage drops to 1.8V or below, the MIX3001 outputs are disabled, and the device comes out of this state and starts to normal function when $V_{DD} \geq 2.0V$.

Short -Circuit Protection

The MIX3001 has short circuit protection circuitry on the outputs to prevent damage to the device during output-to-output shorts, output-to-GND and output-to-GND short occurs. When a short circuit is detected on the outputs, the part immediately disables the drive. This is an unlatched fault. Normal operation is restored when the fault is removed.

Thermal Protection

Thermal protection on the MIX3001 prevents damage to the device when the internal die temperature exceeds 135°C. There is a $\pm 20^\circ\text{C}$ tolerance on this trip point from device to device. Once the die temperature exceeds the thermal set point, the device enters into the shutdown state and the outputs are disabled. This is not a latched fault. The thermal fault is cleared once the temperature of the die is reduced by 30°C. The device begins normal operation at this point with no external system intervention.

Maximum Gain

The MIX3001 has two internal amplifier stages. The first stage's gain is externally configurable, while the second stage's is internally fixed. The differential gain for the IC is

$$A = 20 \cdot \log [2 \cdot ((R_f / (R_i + R_e)))]$$

Where R_e is externally resistor, The MIX3001 $R_f = 180\text{k}\Omega$, $R_i = 20\text{k}\Omega$, so the maximum closed-gain is 25dB (no externally resistor).

Decoupling Capacitor (C_s)

The MIX3001 is a high-performance Class-D audio amplifier that requires adequate power supply decoupling to ensure the efficiency is high and total harmonic distortion (THD) is low. For higher frequency transients, spikes, or digital hash on the line a good low equivalent series resistance

(ESR) ceramic capacitor, typically 1 μF , placed as close as possible to the device PVDD lead works best. Placing this decoupling capacitor close to the MIX3001 is important for the efficiency of the Class-D amplifier, because any resistance or inductance in the trace between the device and the capacitor can cause a loss in efficiency. For filtering lower-frequency noise signals, a 4.7 μF or greater capacitor placed near the audio power amplifier would also help, but it is not required in most applications because of the high PSRR of this device.

Input Capacitors (C_i)

The MIX3001 does not require input coupling capacitors if the design uses a differential source that is biased from 0.5V to $V_{DD} - 0.8V$. If the input signal is not biased within the recommended common-mode input range, if high pass filtering is needed, or if using a single-ended source, input coupling capacitors are required.

The input capacitors and input resistors from a high-pass filter with the corner frequency, f_c , determined in below equation

$$f_c = \frac{1}{2\pi R_i C_i}$$

The value of input capacitor is important to consider as it directly affects the bass (low frequency) performance of the circuit. Speaker in wireless phones cannot usually respond well to low frequencies, so the corner frequency can be set to block low frequencies in this application. Not using input capacitors can increase out offset. Below equation is used to solve for the input coupling capacitance.

$$C_i = \frac{1}{(2\pi R_i f_c)}$$

If the corner frequency is within the audio band, the capacitors should have tolerance of $\pm 10\%$ or better, because any mismatch in capacitance causes an impedance mismatch at the corner frequency and below.

Analog Reference Bypass Capacitor

(C_{BYP})

The Analog Reference Bypass Capacitor (C_{BYP}) is the most critical capacitor and serves several important functions. During start-up or recovery from shutdown mode, C determines the rate at which the amplifier starts up. The second function is to reduce noise caused by the power supply coupling into the output drive signal. This noise is from the internal analog reference to the amplifier, which appears as degraded PSRR and THD+N.

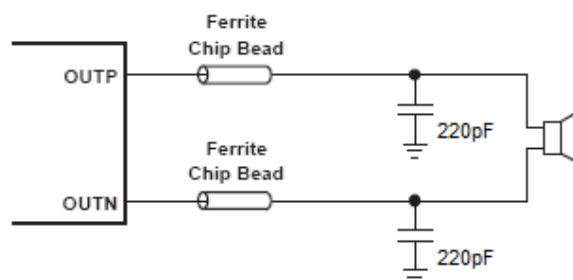
A ceramic bypass capacitor (C_{BYP}) with values of 0.47 μ F to 1.0 μ F is recommended for the best THD and noise performance. Increasing the bypass capacitor reduces clicking and popping noise from power on/off and entering and leaving shutdown.

Filter Free Operation and Ferrite Bead Filters

A ferrite bead filter can often be used if the design is failing radiated emissions without an LC filter and the frequency sensitive circuit is greater than 1MHz. This filter functions well for circuits that just

have to pass FCC and CE because FCC and CE only test radiated emissions greater than 30MHz. When choosing a ferrite bead, choose one with high impedance at high frequencies, and very low impedance at low frequencies. In addition, select a ferrite bead with adequate current rating to prevent distortion of the output signal.

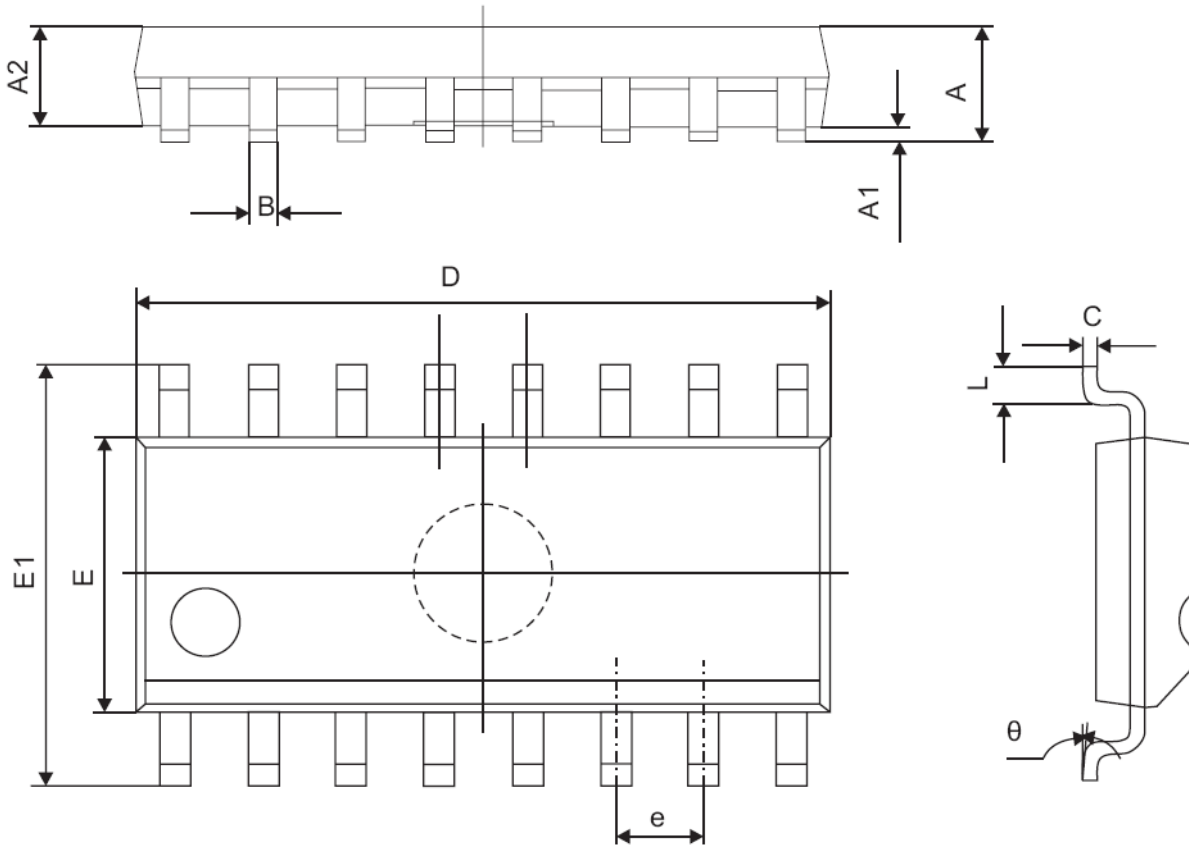
Use an LC output filter if there are low frequency (< 1 MHz) EMI sensitive circuits and/or there are long leads from amplifier to speaker.



Ferrite Bead Filter to reduce EMI

Outline Dimension

SOP-16



| Symbol | Dimensions Millimeters | |
|--------|------------------------|--------|
| | Min | Max |
| A | 1.350 | 1.750 |
| A1 | 0.100 | 0.250 |
| A2 | 1.350 | 1.550 |
| B | 0.330 | 0.510 |
| C | 0.190 | 0.250 |
| D | 9.800 | 10.000 |
| E | 3.800 | 4.000 |
| E1 | 5.800 | 6.300 |
| e | 1.270(TYP) | |
| L | 0.400 | 1.270 |
| θ | 0° | 8° |

IMPORTANT NOTICE

Shanghai Mixinno Microelectronics and its subsidiaries (Mixinno) reserves the right to make corrections, modifications, enhancements, improvements, and other changes to its products and to this document without any notice. The information contained in this document has been carefully checked and is believed. However, Mixinno shall assume no responsibilities for inaccuracies and make no commitment to update or to keep the information contained in this document.

Mixinno products are designed only for commercial and normal industrial applications. And are not authorized for use in life support equipment where a failure of which could lead to death, personal injury or environmental or property damage. Use of the products in such application is at the customer's own risk and expense. Mixinno is not responsible or liable for any incidental which may result from misapplication or improper use or operation of the product.

It is an unfair and deceptive business practice that resale of Mixinno products or services with statements different from or beyond the parameters stated by Mixinno for that product or service. Mixinno is not responsible or liable for any such statements.

There are some probabilities with the products fail. However, Mixinno does its best to improve the quality and reliability of the products.