

FUNCTION — A-COM LOGIC

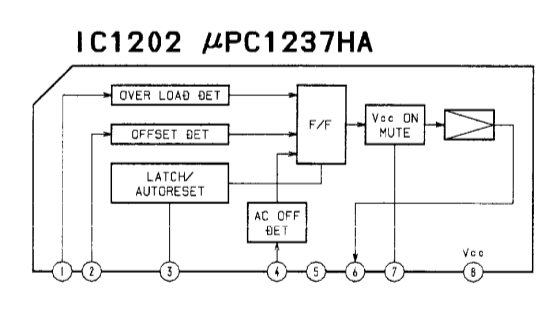
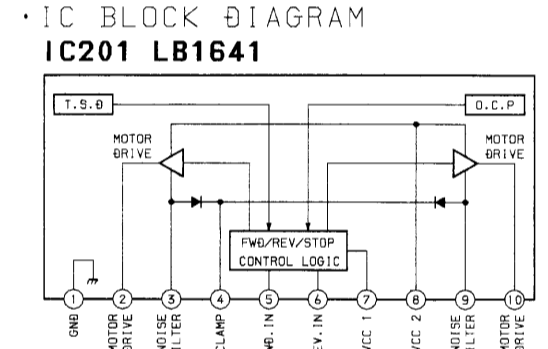
V	CB	TC	ST	FB
0	1	2	3	4
A	L	H	L	H
B	L	L	H	H
C	L	L	L	H

NOTE

- All capacitors are in μF unless otherwise noted. $\text{pF} = \mu\text{F} \times 10^{-6}$. $\text{nF} = \mu\text{F} \times 10^{-3}$. S.W. or less are not indicated except for electrolytics and tantalums.
- All resistors are in Ω and $1/4W$ or less unless otherwise specified.
- Internal component.
- Nonflammable resistor.
- Fusible resistor.
- Panel designation.

The components identified by mark Δ or dotted line with mark Δ are critical for safety. Replace only with part number specified.

- :B Line.
- :B Line.
- Voltages and waveforms are dc with respect to ground under no-signal (detuned) conditions.
- no mark: FM
- (): CD PLAY
- Voltages are taken with a VOM (input impedance $10M\Omega$). Voltage variations may be noted due to normal production tolerances.
- Waveforms are taken with an oscilloscope. Voltage variations may be noted due to normal production tolerances.
- Abbreviation:
 - G : German model.
 - IT : Italian model.
 - EE : East European model.
 - EA : Saudi Arabia model.
 - MY : Malaysia model.
 - HK : Hong Kong model.
 - SP : Singapore model.
 - TH : Thailand model.
 - TW : Taiwan model.
 - IA : Indonesia model.
 - JE : Tourist model.
 - JW : Jumper wire.



R740, R741

R740	R741	AEP, UK	G, I, I, EE	JE	E, EA, HK, MY, SP, TW, IA, TH
10k	10k	6.8k	5.8k	5.8k	5.8k
3.3k	3.3k	6.8k	1.5k	OPEN	10k