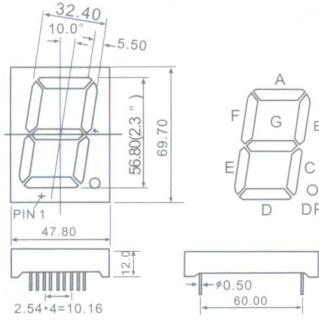


PACKAGE DIMENSION

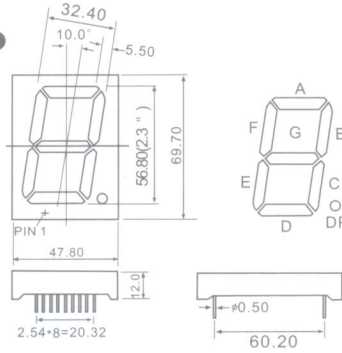
PACKAGE DIMENSION

PACKAGE DIMENSION

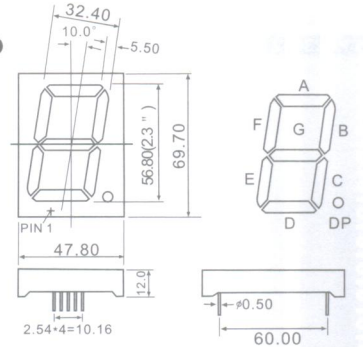
CPD23011



CPD23011



CPD23011

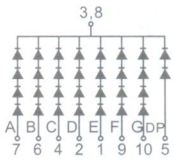


INTERNAL CIRCUIT DIAGRAM

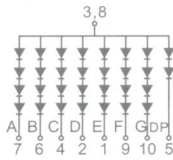
INTERNAL CIRCUIT DIAGRAM

INTERNAL CIRCUIT DIAGRAM

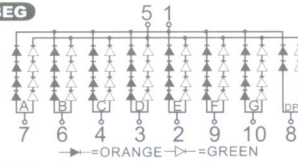
PCB:D23011I/J



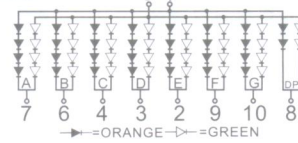
PCB:D23011I/J



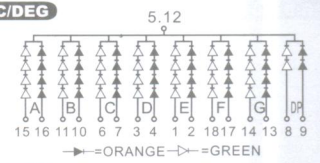
PCB:D23011A/BEG



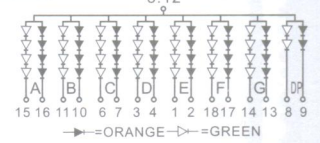
PCB:D23011A/BEG



PCB:D23011C/DEG



PCB:D23011C/DEG

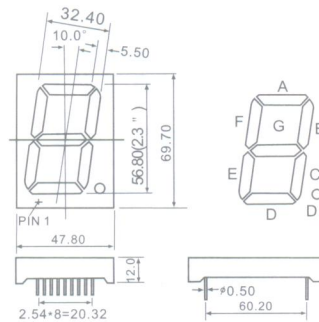


PACKAGE DIMENSION

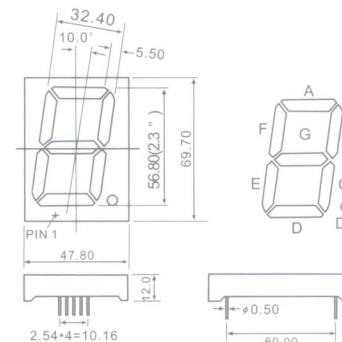
PACKAGE DIMENSION

PACKAGE DIMENSION

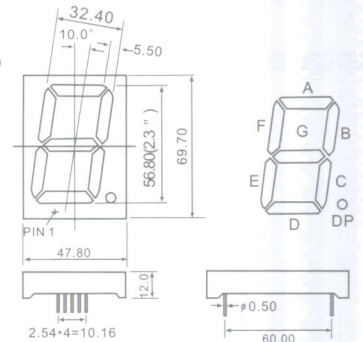
CPD23011



CPD23012



CPD23012

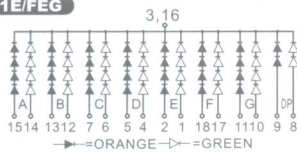


INTERNAL CIRCUIT DIAGRAM

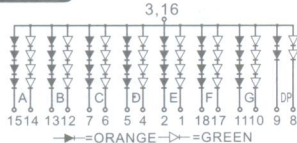
INTERNAL CIRCUIT DIAGRAM

INTERNAL CIRCUIT DIAGRAM

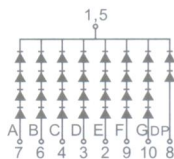
PCB:D23011E/FEG



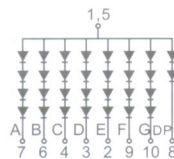
PCB:D23011E/FEG



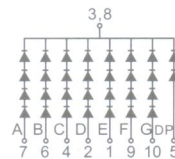
PCB:D23012A/B



PCB:D23012A/B



PCB:D23012C/D



PCB:D23012C/D

