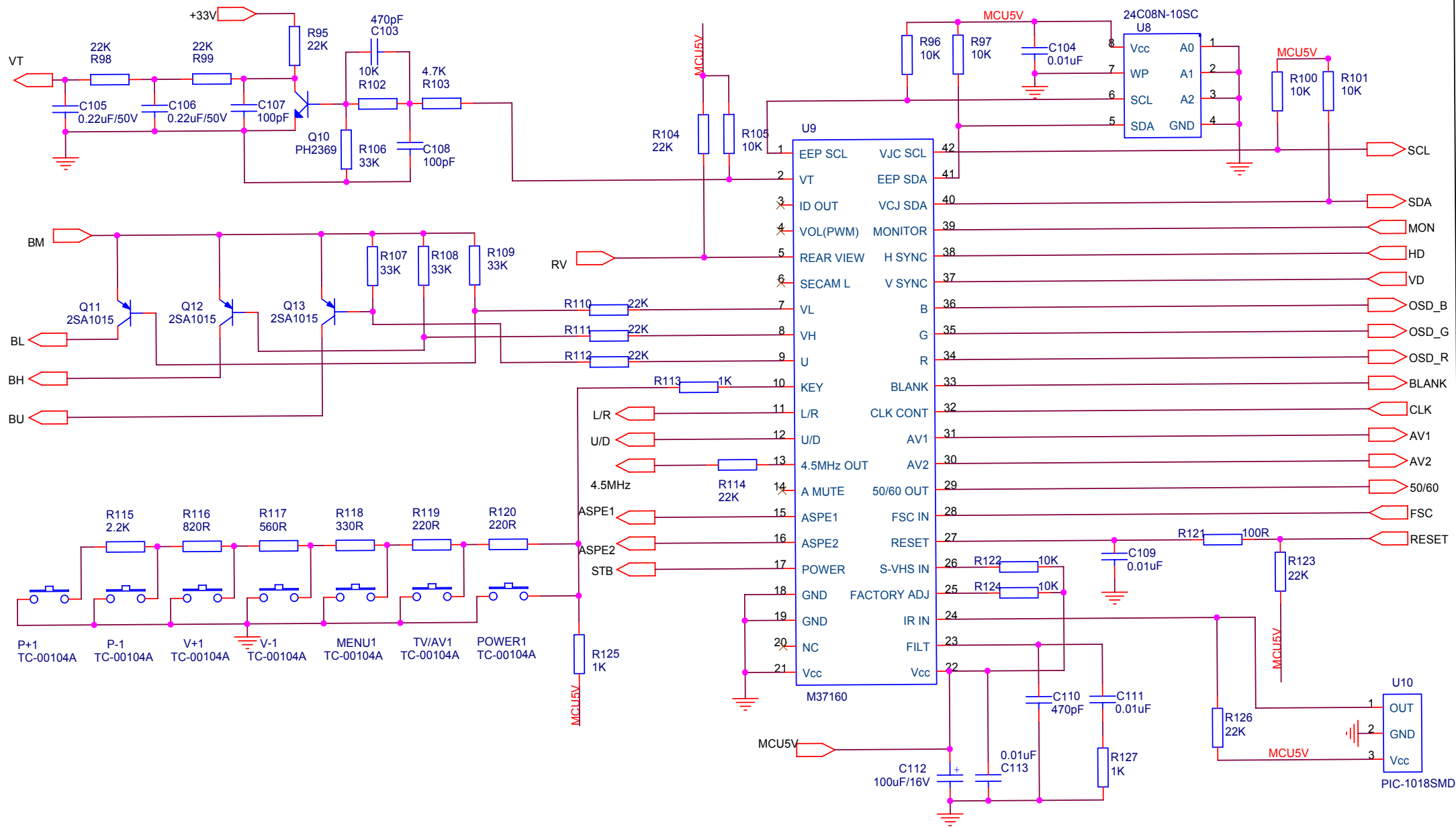
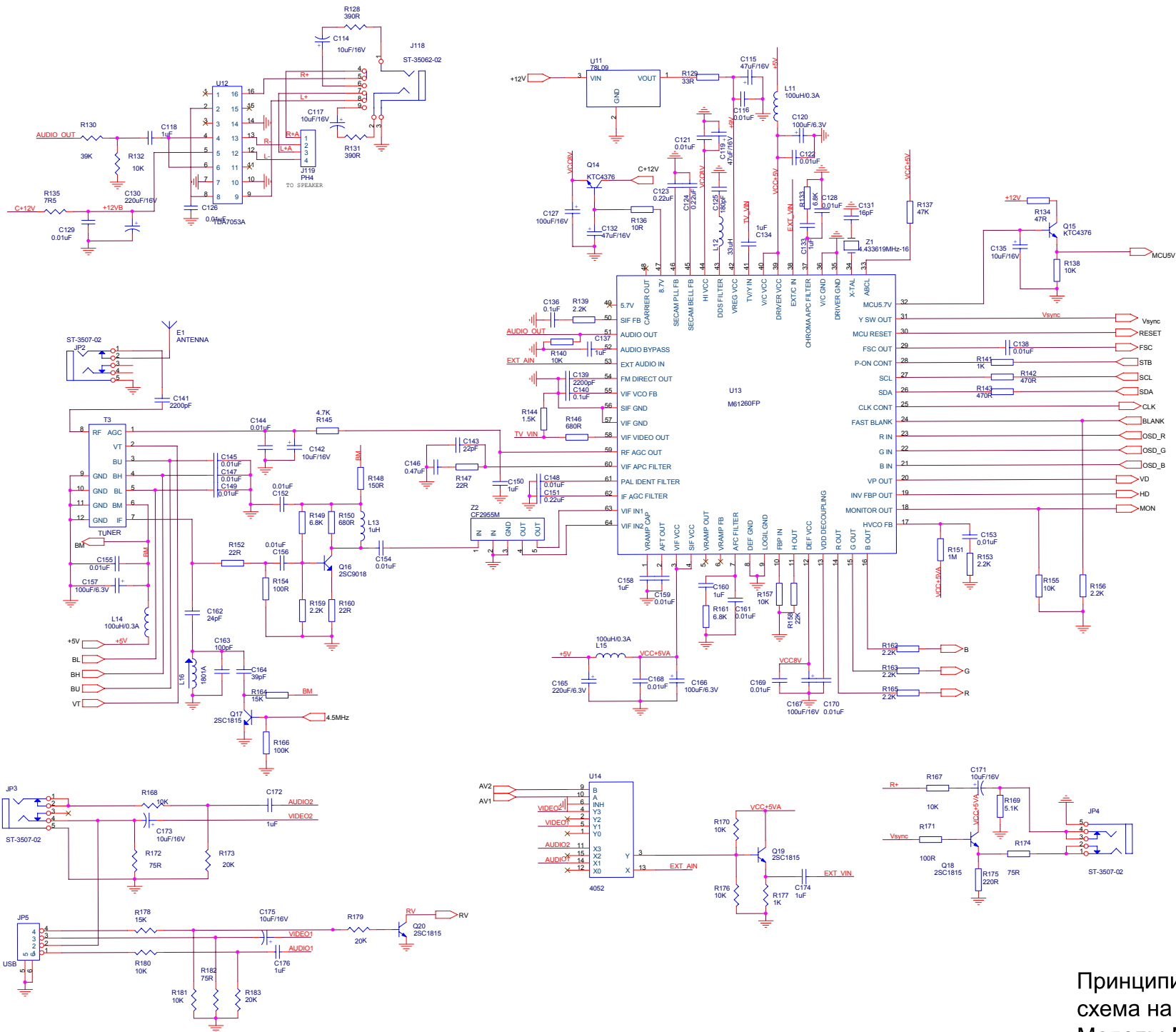


Принципиальная электрическая
схема на Main Board.
Модель: MTV-610
Лист 2 из 4

Pin	Signal
1	CON
2	VCC
3	VCC
4	WDD01
5	WDD01
6	WDD01
7	WDD01
8	WDD01
9	WDD01
10	WDD01
11	WDD01
12	WDD01
13	WDD01
14	WDD01
15	WDD01
16	WDD01
17	WDD01
18	WDD01
19	WDD01
20	WDD01
21	WDD01
22	WDD01
23	WDD01
24	WDD01
25	WDD01
26	WDD01
27	WDD01
28	WDD01
29	WDD01
30	WDD01
31	WDD01
32	WDD01
33	WDD01
34	WDD01
35	WDD01
36	WDD01
37	WDD01
38	WDD01
39	WDD01
40	WDD01
41	WDD01
42	WDD01
43	WDD01
44	WDD01
45	WDD01
46	WDD01
47	WDD01
48	WDD01
49	WDD01
50	WDD01
51	WDD01
52	WDD01
53	WDD01
54	WDD01
55	WDD01
56	WDD01
57	WDD01
58	WDD01
59	WDD01
60	WDD01
61	WDD01
62	WDD01
63	WDD01
64	WDD01
65	WDD01
66	WDD01
67	WDD01
68	WDD01
69	WDD01
70	WDD01
71	WDD01
72	WDD01
73	WDD01
74	WDD01
75	WDD01
76	WDD01
77	WDD01
78	WDD01
79	WDD01
80	WDD01
81	WDD01
82	WDD01
83	WDD01
84	WDD01
85	WDD01
86	WDD01
87	WDD01
88	WDD01
89	WDD01
90	WDD01
91	WDD01
92	WDD01
93	WDD01
94	WDD01
95	WDD01
96	WDD01
97	WDD01
98	WDD01
99	WDD01
100	WDD01



Принципиальная электрическая
схема на Main Board.
Модель: MTV-610
Лист 3 из 4



Принципиальная электрическая
схема на Main Board.
Модель: MTV-610
Лист 4 из 4