



# 1. CAUTION

CAUTION:

Use of controls, adjustments or procedures other than those specified herein may result in hazardous radiation exposure.

---



**CAUTION**  
**RISK OF ELECTRIC SHOCK DO NOT OPEN.**



CAUTION: TO REDUCE THE RISK OF ELECTRICAL SHOCK, DO NOT REMOVE COVER (OR BACK). NO USER SERVICEABLE PARTS INSIDE. REFER SERVICING TO QUALIFIED SERVICE PERSONNEL.

---



The lightning flash with arrowhead symbol, with an equilateral triangle is intended to alert the user to the presence of uninsulated “dangerous voltage” within the product’s enclosure that may be of sufficient magnitude to constitute a risk of electric shock to the person.

---



The exclamation point within an equilateral triangle is intended to alert the user to the presence of important operating and maintenance (servicing) instructions in the literature accompanying the appliance.

---

**WARNING: TO REDUCE RISK OF FIRE OR ELECTRIC SHOCK, DO NOT EXPOSE THIS APPLIANCE TO RAIN OR MOISTURE.**

# **IMPORTANT SAFETY INSTRUCTIONS**

---

## **CAUTION:**

Read all of these instructions. Save these instructions for later use. Follow all Warnings and Instructions marked on the audio equipment.

1. Read Instructions- All the safety and operating instructions should be read before the product is operated.
2. Retain Instructions- The safety and operating instructions should be retained for future reference.
3. Heed Warnings- All warnings on the product and in the operating instructions should be adhered to.
4. Follow Instructions- All operating and use instructions should be followed.

## **FOR YOUR PERSONAL SAFETY**

---

1. When the power cord or plug is damaged or frayed, unplug this television set from the wall outlet and refer servicing to qualified service personnel.
2. Do not overload wall outlets and extension cords as this can result in fire or electric shock.
3. Do not allow anything to rest on or roll over the power cord, and do not place the TV where power cord is subject to traffic or abuse. This may result in a shock or fire hazard.
4. Do not attempt to service this television set yourself as opening or removing covers may expose you to dangerous voltage or other hazards. Refer all servicing to qualified service personnel.
5. Never push objects of any kind into this television set through cabinet slots as they may touch dangerous voltage points or short out parts that could result in a fire or electric shock. Never spill liquid of any kind on the television set.
6. If the television set has been dropped or the cabinet has been damaged, unplug this television set from the wall outlet and refer servicing to qualified service personnel.
7. If liquid has been spilled into the television set, unplug this television set from the wall outlet and refer servicing to qualified service personnel.
8. Do not subject your television set to impact of any kind. Be particularly careful not to damage the picture tube surface.
9. Unplug this television set from the wall outlet before cleaning. Do not use liquid cleaners or aerosol cleaners. Use a damp cloth for cleaning.
- 10.1. Do not place this television set on an unstable cart, stand, or table. The television set may fall, causing serious injury to a child or an adult, and serious damage to the appliance. Use only with a cart or stand recommended by the manufacturer, or sold with the television set. Wall or shelf mounting should follow the manufacturer's instructions, and should use a mounting kit approved by the manufacturer.
- 10.2. An appliance and cart combination should be moved with care. Quick stops, excessive force, and uneven surfaces may cause the appliance and cart combination to overturn.



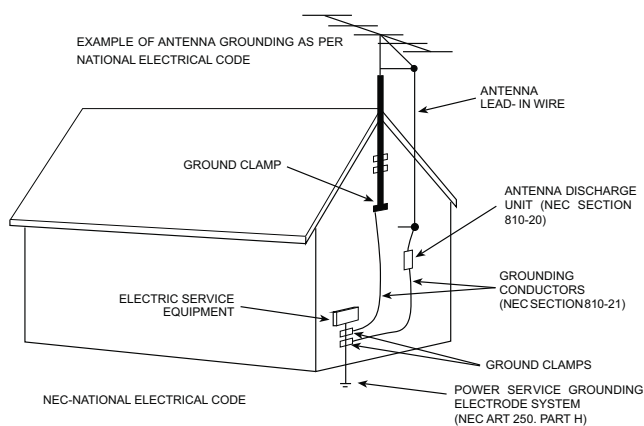
# PROTECTION AND LOCATION OF YOUR SET

11. • Do not use this television set near water ... for example, near a bathtub, washbowl, kitchen sink, or laundry tub, in a wet basement, or near a swimming pool, etc.
  - Never expose the set to rain or water. If the set has been exposed to rain or water, unplug the set from the wall outlet and refer servicing to qualified service personnel.
12. Choose a place where light (artificial or sunlight) does not shine directly on the screen.
13. Avoid dusty places, since piling up of dust inside TV chassis may cause failure of the set when high humidity persists.
14. The set has slots, or openings in the cabinet for ventilation purposes, to provide reliable operation of the receiver, to protect it from overheating. These openings must not be blocked or covered.
  - Never cover the slots or openings with cloth or other material.
  - Never block the bottom ventilation slots of the set by placing it on a bed, sofa, rug, etc.
  - Never place the set near or over a radiator or heat register.
  - Never place the set in a "built-in" enclosure, unless proper ventilation is provided.

# PROTECTION AND LOCATION OF YOUR SET

- 15.1. If an outside antenna is connected to the television set, be sure the antenna system is grounded so as to provide some protection against voltage surges and built up static charges, Section 810 of the National Electrical Code, NFPA No. 70-1975, provides information with respect to proper grounding of the mast and supporting structure, grounding of the lead-in wire to an antenna discharge unit, size of grounding conductors, location of antenna discharge unit, connection to grounding electrode, and requirements for the grounding electrode.

## EXAMPLE OF ANTENNA GROUNDING AS PER NATIONAL ELECTRICAL CODE INSTRUCTIONS



- 15.2. Note to CATV system installer : (Only for the television set with CATV reception)

This reminder is provided to call the CATV system installer's attention to Article 820-40 of the NEC that provides guidelines for proper grounding and, in particular, specifies that the cable ground shall be connected to the grounding system of the building, as close to the point of cable entry as practical.

16. An outside antenna system should not be located in the vicinity of overhead power lines or other electric lights or power circuits, or where it can fall into such power lines or circuits. When installing an outside antenna system, extreme care should be taken to keep from touching such power lines or circuits as contact with them might be fatal.
17. For added protection for this television set during a lightning storm, or when it is left unattended and unused for long periods of time, unplug it from the wall outlet and disconnect the antenna. This will prevent damage due to lightning and power-line surges.

## **OPERATION OF YOUR SET**

18. This television set should be operated only from the type of power source indicated on the marking label. If you are not sure of the type of power supply at your home, consult your television dealer or local power company. For television sets designed to operate from battery power, refer to the operating instructions.
19. If the television set does not operate normally by following the operating instructions, unplug this television set from the wall outlet and refer servicing to qualified service personnel. Adjust only those controls that are covered in the operating instructions as improper adjustment of other controls may result in damage and will often require extensive work by a qualified technician to restore the television set to normal operation.
20. When going on a holiday : If your television set is to remain unused for a period of time, for instance, when you go on a holiday, turn the television set " off " and unplug the television set from the wall outlet.

## **IF THE SET DOES NOT OPERATE PROPERLY**

21. If you are unable to restore normal operation by following the detailed procedure in your operating instructions, do not attempt any further adjustment. Unplug the set and call your dealer or service technician.
22. Whenever the television set is damaged or fails, or a distinct change in performance indicates a need for service, unplug the set and have it checked by a professional service technician.
23. It is normal for some TV sets to make occasional snapping or popping sounds, particularly when being turned on or off. If the snapping or popping is continuous or frequent, unplug the set and consult your dealer or service technician.

## **FOR SERVICE AND MODIFICATION**

24. Do not use attachments not recommended by the television set manufacturer as they may cause hazards.
25. When replacement parts are required, be sure the service technician has used replacement parts specified by the manufacturer that have the same characteristics as the original part. Unauthorized substitutions may result in fire, electric shock, or other hazards.
26. Upon completion of any service or repairs to the television set, ask the service technician to perform routine safety checks to determine that the television is in safe operating condition.

# LCD TV SPECIFICATION RELEASE

Version: V1.0

Issued Date: 2012.06.10

Model: LED32B3310/MS82D-AP



PICTURE	
Panel Size (inch)	32"
Category	LCD TV
Aspect Ratio	16:9
Color Temperature	Normal/Warm/Cool
Backlight Adjustable	Yes
Scaler Mode	Full,Subtitle,Wide Screen,4:3,Nature,Original
Picture Effect	4 picture effects preset (Standard/Bright/Soft/Personal)
Film Mode (3:2 pull down)	Auto
Picture Enhancement	
Comb Filter	3D
Dynamic Niose Reduction	3D
Adaptive Deinterlacing	3D
Blue Stretch	Yes
Black Stretch	Yes
Motion Compensation	Yes
DLTI	Yes
DCTI	Yes
Dynamic Skin Correction	Yes
PANEL SPECIFICATION	
Back light Unit	LED
Panel supplier	CSOT
Aspect Ratio	16:9
Display Resolution	1366*768
Brightness (cd/m2)	300
Contrast Ratio	4000:1
Response Time	6.5ms
Viewing Angle (H/V)	178°/178°
Life Time	30000hrs
Color	16.7M
SOUND	
Speakers	Integrated speakers (Bottom side)
Audio Power Output	5W+5W
Sound Effect	Stereo ,Music,Movie,News,Personal
NICAM	/
Sound Control	Balance,Sound EQ Adjust
Function	
OSD Language	English/Vietnam/French/Russian/Thai/Arabian/Persian
OSD Features	Motion Bmp Style
Source in OSD	Source Bmp Icon Selecting
Teletext	/
Clock/Sleep Timers	Yes
Wake up/Turn off time	Yes
Wake up Source/Chanel	Yes
Watch Time Limit	Yes
Startup Setting	Yes(User can set a picture for turning on Logo display)
Smart Switch(AIS)	Yes(Signal Auto Detecting and Changing Source)
Picture Freeze	/
USB Connection	Movie Show: Support H.264、RM/RMVB
	VC1、MPEG4、MPEG2;
	Photo Show: Suppor JPEG、BMP、PNG;
	Music Show: support MP3、WMA;
Hotel	In factory mode
Design and specifications are subject to change without notice!	

SIGNAL FORMAT CAPABILITY	
Component Video Format	Y,Pb/Cb,Pr/Cr:up to 1080P
DVI Video Format	Up to XGA for HDMI-PC
HDMI Video Format	up to 1080P
PC Compatibility	Up to SXGA
TERMINALS	
Audio/CVBS Input (Composite)	1 AUDIO R/L+1 Video: AV IN
S-Video Input	X
Audio Input for S-Video	X
YPbPr Input	1
Audio Input for YPbPr	Share with for "AV"
YCbCr Input	Share with for "YPbPr"
Audio Input for YCbCr	Share with for "YPbPr"
VGA Input(RGB)	1 (D-Sub,15 Pins)
Audio Input for RGB	Share with for "AV"
DVI	Share with "HDMI" PORT
Audio Input for DVI	Share with for "AV"
HDMI	1
CVBS Output (Composite)	1
SPDIF	X
Headphone Output	X
RF Input(Antenna)	1 ( IEC Type)
USB 2.0	1
Basic Info.	
TV System	PAL BG/DK/I ; SECAM; NTSC-M
AV System	PAL,NTSC
Channels	199
Chassis	MS82D-AP
Certification	CB
Power Supply	AC 110V-240V 50/60Hz
Power Consumption-TV on	50W
Power Consumption-Standby	<0.5W
Default Color of Front Cabinet	Black
Keyboard Position	Back
Base Stand Detachable	Yes
Unpackaged Dimension for Main Body (L*H*D) (mm)	
With Base Stand (mm)	734mmX506mmX215mm
Without Base Stand (mm)	734mmX441mmX92mm
Packaged Dimension (L*H*D)	
Main Body (mm)	851x192x558
Speaker Box	NO
Base Stand	Packaged with ALL
Net Weight (Kg)	8KG
Gross Weight (Kg)	9.5KG
Container Loading	
20 feet	312
40 feet	672
40 feet high	782
ACCESSORIES	
Operation Manual	English(Default)
Remote Control Mode	RC200B (with two 7# batteries)
Base Stand	Integrated Packaging
Speaker Box	Integrated
Wall Mount	Optional
Others	AC Power cord

Drafted by:

Approved by:

OEM 事业部  
OEM 设计中心

文件编号: CRT/SJ/FK02-2010  
序号:

## **Alignment Procedure**

(MODEL): MS82B/C/D/E Series

VERSION: V1.0

**PREPARED BY:** Xiongzp **DATE:** 2012-06-12

**APPROVED BY:** \_\_\_\_\_ **DATE:** \_\_\_\_\_

History	Description of major changes	Release Date
<b>V1.0</b>		<b>2012-06-12</b>

## 1. Overview

MS82B/C/D/E chassis is designed for Asia Pacific/South America market. Both Full HD panel and HD panel can be compatible. The signal sources include TV, AV, YPBPR/YCBCR, VGA, HDMI and USB. For YPBPR, HDMI source, Format up to 1080p can be supported; USB support image, audio and video (up to H. 264) playing; The whole process of alignment includes ADC calibration and White Balance adjustments.

## 2. Factory Menu

### 1、Methods of Entering

Method 1: Using the remote, enter the "Picture" submenu in the OSD; choosing the "contrast" item and press the 9, 7, 3 and 5 in series, Factory Menu will appear in the left top of screen

Method 2: Press RETURN button when FACTORY HOTKEY is enabled (ON).

### 2. General introduction

#### FACTORY MENU

ITEMS	Default Setting	Description	Status
1-FAC HOTKEY	OFF	Factory hotkey Switch (OFF/ON). Should be OFF after factory alignment	OK
2-WARM UP	OFF	OFF: The set would enter standby mode after 15 minutes without input signal; ON: Aging mode. Aging time will display on the left bottom of screen.	OK
3-ADC		ADC calibration (refer as follow)	OK



4-WHITE BALANCE		White Balance data adjustment (refer as follow) The balance data is set by PE before the mass production. Do not need adjust.	OK
5-SHOP	DO	Reset the set after production alignment;(This operation will remove all unnecessary factory value; The factory hotkey will be turn off)	OK
6-NVM reset	DO	System initialization. Restore all data except the White Balance and ADC data ;Only for R&D.	OK
7-SET FAC CH	DO	Preset specific factory channels for specific factory. Press left and right button to select the factory, and then press OK to confirm.	OK
8-POWER ON	LAST	ON: Always turns on TV when AC power on STB: Always goes to standby mode when AC power on LAST: Restore the status before the last AC power off	OK
9-USB UPDATE		USB update, (refer as follow)	OK
10 ReloadEFBItem...		This item only factory used,	

Note: Below the factory menu, some model information are showed, including software version, Project Name, SIACP Version, and SW release time.

#### ADC Submenu:

ITEMS	Default Setting	Description	Status
Source	RGB/YPbPr (HD)	Sources need calibration. RGB means PC and YPbPr (HD) means YPbPr	OK
R-GAIN	4478	R-GAIN	OK
G-GAIN	4478	R-GAIN	OK
B-GAIN	4478	R-GAIN	OK
R-OFFSET	2048	B-OFFSET	OK
G-OFFSET	2048	B-OFFSET	OK

B-OFFSET	2048	B-OFFSET	OK
AUTO ADC	WAIT/OK	With appropriate pattern (mentioned below) inputted, press left or right key to start auto calibration.	OK

**WHITE BALANCE Submenu**

ITEMS	Default Setting	Description	Status
Source	Current Source	Current Source( TV, AV1/AV2/YPbPr, HDMI need adjustment)	OK
COLOR TEMP	NORMAL	NORMAL/COOL/WARM	OK
R-GAIN	128	R-GAIN	OK
G-GAIN	128	G-GAIN	OK
B-GAIN	128	B-GAIN	OK
R-OFFSET	128	R-OFFSET	OK
G-OFFSET	128	G-OFFSET	OK
B-OFFSET	128	B-OFFSET	OK
WB INIT	DO	ONLY FOR TCL R&D	OK

The first step is to adjust HDMI.

**3. Design Menu****1、Methods of Entering:**

Method 1: Using the remote, enter the “Picture” submenu in the OSD; choosing the “contrast” item and press the 1, 9, 5, and 0 in series, Design Menu will appear in the left top of screen.

Method 2: Press RETURN button when DESIGN HOTKEY is enabled (ON).

**2、General introduction****DESIGN MENU**

ITEMS	Default Setting	Description	Status
1-DESIGN HOTKEY	OFF	ON/OFF	OK
2-FACTORY MENU		ON/OFF	OK

3-SHOP INIT		Default setting submenu after production alignment refer to **	OK
4-OTHER		Other set .Only for TCL R&D	OK
5-SERVICE MENU		After service menu description	OK
6-PARAM SETTING		Parameter setting submenu	OK
7-HOTEL MENU		Hotel submenu	OK

**SHOP INIT submenu**

ITEMS	Default Setting	Description	Status
Volume	30	0-100 adjustable	OK
PIC MODE	STANDARD	STANDARD/BRIGHT/SOFT/PERSONAL	OK
SOUND MODE	STEREO	STEREO/MUSIC/MOVIE/NEWS	OK
Channel	199	0-199 adjustable	OK
Language	English	Up to 7 languages optional	OK
COLOR SYS	AUTO	AUTO、PAL、 NTSC、 SECAM	OK
SOUND SYS	DK	DK、 BG、 I、 M	OK
PRESET CH	1	0-199 adjustable	OK
COLOR TEMP	NORMAL	NORMAL、 WARM、 COOL	OK

**Other**

ITEMS	Default Setting	Description	Status
VIF1		VIF adjust	OK
VIF2		VIF adjust	OK
VIF3		VIF adjust	OK
QMAP ADJUST		PQ debug	OK
SSC		SSC adjust	OK
DBC ENABLE		DBC adjust	OK

BP			OK
CP			OK
DBC MODE			OK
MIU DQS0			
MIU DQS1			
TELETEXT	ON	TELETEXT SWITCH (only for MS82B/E series)	OK
NICAM	ON	NICAM SWITCH (only for MS82B/E series)	OK

PARAM SET **SETTING**

ITEMS	Default Setting	Description	Status
Brightness Curve		Brightness curve. Exclusively used by R&D	OK
Contrast Curve		Contrast curve. Exclusively used by R&D	OK
Saturation Curve		Saturation curve. Exclusively used by R&D	OK
Hue Curve		Hue curve. Exclusively used by R&D	OK
Sharpness Curve		Sharpness curve. Exclusively used by R&D	OK
Volume Curve		Volume curve. Exclusively used by R&D	OK
BackLight Curve		BackLight curve. Exclusively used by R&D	OK
OverScan		Exclusively used by R&D	

## 4、Service Menu

### 1、Methods of Entering

Using the remote, enter the “Picture” submenu in the OSD; choosing the “contrast” item and press the 9,7,0 and 5 in series, Service Menu will appear in the left top of screen

SERVICE MENU:

ITEM	Default Setting	Description	Status
SW NO		Software Version	OK
DATE		Date and time of software releasing	OK
Project Name		Module name	OK

SIACP VERSION		SIACP VERSION	OK
Chassis	MS82V G	Chassis name	OK
PANEL NAME		P/N of panel	OK
			NG
PROJECT ID		Project Select submenu	OK
CONFIG		Project Select submenu	
USB UPDATE		USB UPDATE	ok
HOTEL ENABLE	OFF	HOTEL MENU SWITCH	ok
ReloadEFBItem	Do	Only for factory adjust	OK

## CONFIG submenu

ITEM	Default Setting	Description	Status
PWON_MUSIC	OFF	Power on music	OK
POWER LOGO	OFF/TCL	Power on ,panel display logo	OK
SAANDBY LOGO	ON/OFF	NO USE	OK
LOGO_LIGHT	ON/OFF	LOGO BACKLIGHT, Some model used	OK
TCL_SHOW	ON/OFF	default	OK
ERROR CODE			OK
Erase HDCP Key	Do	Only for R&D	OK
Reset HDCP Key	Do	Only for R&D	OK
UsbHdcpkey Update	Do	Only for R&D	OK
USBPortNumset	1	default	OK

## 5. Debugging

### 5.1. General Steps of debugging

According to the requirement of the order, below steps are needed for appropriate setting.

- 1) Enter the Factory Menu, enable FAC HOTKEY.
- 2) Check Project ID and the version of software, release date displayed

at the bottom of Factory Menu.

- 3) Enter Design Menu, choose SERVICE MENU->Project ID, choose corresponding Project ID number of the product (Refer to the “V6-PROJECT -ID0\*\*” in the BOM list).
- 4) Return to Factory Menu, check the Product model.
- 5) Choose Factory Menu->NVM RESET and press the right button of the remote and wait until prompt OK appears.
- 6) Restart the set
- 7) According to the requirement of the order, Set the items of SHOP INIT and Hotel Menu etc.
- 8) After aging under normal temperature, calibrate ADC and adjust white balance.
- 9) Choose Factory Menu ->SHOP and press the button of remote to initialize the set.

Note: After step 9, Hotel Menu will be disabled by default. Therefore, if the order requires hotel function, it is necessary to enable hotel function by set Design MENU->Service Menu->HOTEL ENABLE to ON.

## 5.2. Equipments

- Color Analyzer CA-210.
- Video Pattern Generator Chroma2329.
- Color TV Pattern Generator PM5418/Fluke5418.
- VGA cable , AV(RCA) cable ,YPBPB (RCA) cable, HDMI cable etc.



Chroma2329



Fluke5418



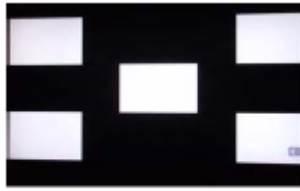
CA-210

## 5.3. ADC Calibration

### 5.3.1. Signal and generator

PC: Chroma2329 Pattern 42, Timing 14(1024X768@60Hz 5 MOSAIC)

YPBPR: Chroma2329 pattern 103, Timing 79(100% Color Bar, 720p)



5 MOSAIC

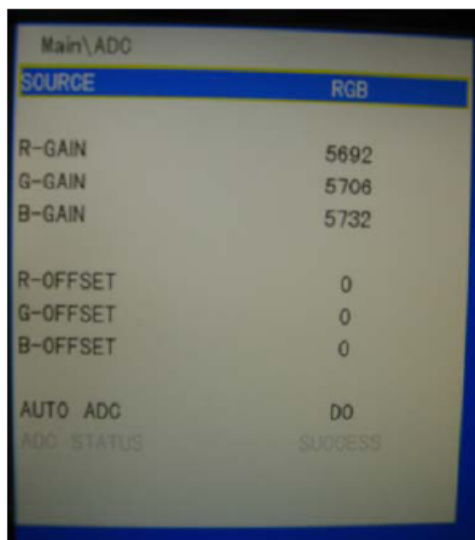


100% Color Bar

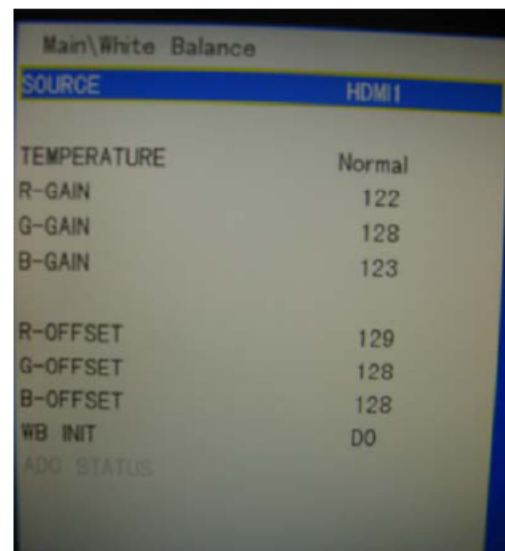
### 5.3.2. Steps of Calibration:

- 1). Access to the Factory menu->ADC
- 2). select RGB source and see the 5 MOSAIC appear on the screen
- 3). Select AUTO ADC , Press the right button on the your remote to calibrate the ADC automatically.
- 4). Select YPBPR source and Repeat step 5.3 .

When the OK appears the calibration has been finished successfully.



VGA calibration



HDMI 1 WB adjustment

### 5.4. White Balance adjustments (Manual)

Before adjustment , you must make sure the ADC status (only PC and YPbPr) is “success” and Color Analyzer has been calibrated .Only AV1, YPbPr, PC, HDMI1 need to be adjusted. HDMI1 should be the first.

#### 5.4.1. Signal and generator

The pattern of the signal should be used are White (Chroma2329 pattern 113) and Grey (pattern 114).

The format of signal are respectively 720P for HDMI1 (Chroma2329 Timing 69), PAL (Chroma2329 Timing38) for AV1, 1024X768@60Hz (Chroma2329 Timing14) for VGA and 720P (Chroma2329 Timing79) for YPbPr.

### 5.4.2. Steps of adjustment

1). Enter the factory menu→ White Balance, select source HDMI 1 and Normal Temperature.

2). Input grey signal in 720p format.

3). Change R-OFFSET and B-OFFSET to make sure the value of color coordination equal to (X=0.280 +/-0.015;Y=0.290 +/-0.015).

4). Input white signal in 720p format.

5). Change R-GAIN and B-GAIN to make sure the value of color coordination equal to (X=0.280 +/-0.015;Y=0.290 +/-0.015).

6). Repeat step 2—5 until both of the value of color coordination of white and grey equal to (X=0.280 +/-0.015;Y=0.290 +/-0.015).

For COOL and WARM color temperature, just repeat step 2—5. The color coordination we recommend for COOL and WARM color temperature is respectively (X=0.270 +/-0.015;Y=0.270 +/-0.015) and

(X=0.300 +/-0.015;Y=0.305 +/-0.015).

After the adjustment of HDMI1, you can switch to other source AV, PC and YPbPr and repeat step 1—6 to do the WB adjustment.

*Note: For some small size LED panel, the color coordination of specifications is not X=0.280/Y=0.290, and we recommend you adopt the values from panel specifications.*

### 5.5. ADC Calibration and White Balance Adjustment (automatic)

The process of adjusting ADC and White Balance automatically is out of the range of this file, Please refer to the relevant technical file of HuiZhou factory of TCL.

## 6. Chip list of software programming before SMT

Following chips must be programmed before SMT by tools

Position	Chip type	Software description
U102	EN25Q32	HDMI HDCP Key, System Software etc.

## 7. Software update

Method of SW update:

1, Download the bin file “MS82VGUP\_D.bin or MS82VGUP\_C.bin” to the root directory of your USB device (DO not change the file name); Then insert the USB device to USB interface of TV set.

2, using the remote, enter the “Picture” submenu of the OSD; choosing the “contrast” item and press 9, 7, 3 and 5 in series, Factory Menu will appear in the left top of screen.



3, Select the “USB UPDATE” item , press left or right key to enter the update box;

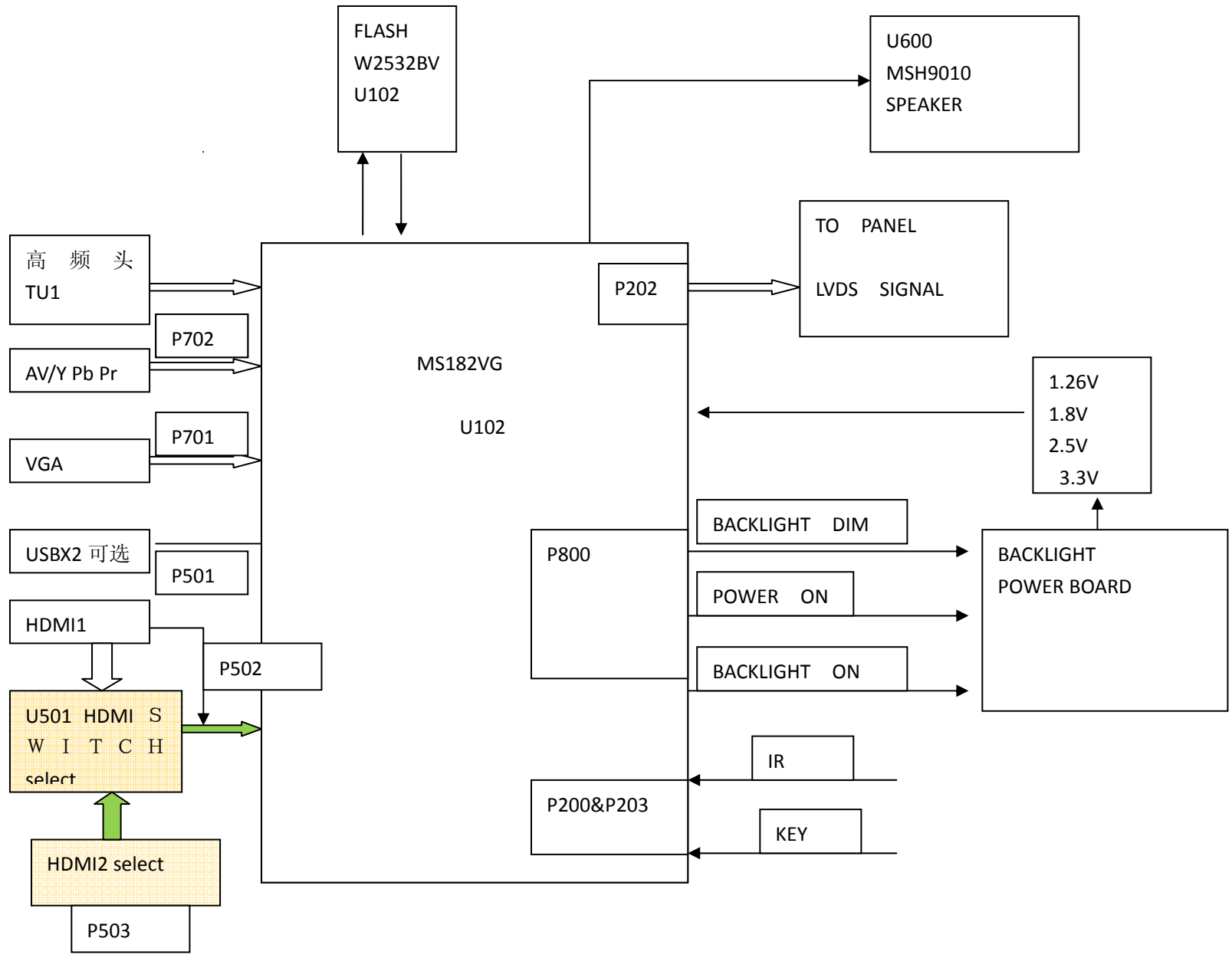
4, Select “YES” of the dialog box and press OK button to start the update, you will see a progress box on the screen.

5, After updating , the set will reset automatically.

## 8, Project ID selecting

- 1) Press the Menu button of remote control, then select Contrast item of Picture submenu; press 1,9,5,0 consecutively, there you go the Design Menu.
- 2) Select the SERVICE MENU item, press OK and RIGHT button of the remote to enter submenu,
- 3) Select the PROJECT ID item, press OK or RIGHT button of the remote to enter the submenu;
- 4) Press the right or left button of the remote to select the ID you want;
- 5) After ID selection, press MENU button of the remote to exit DESIGN MENU.
- 6) Finally, do AC power on/off.

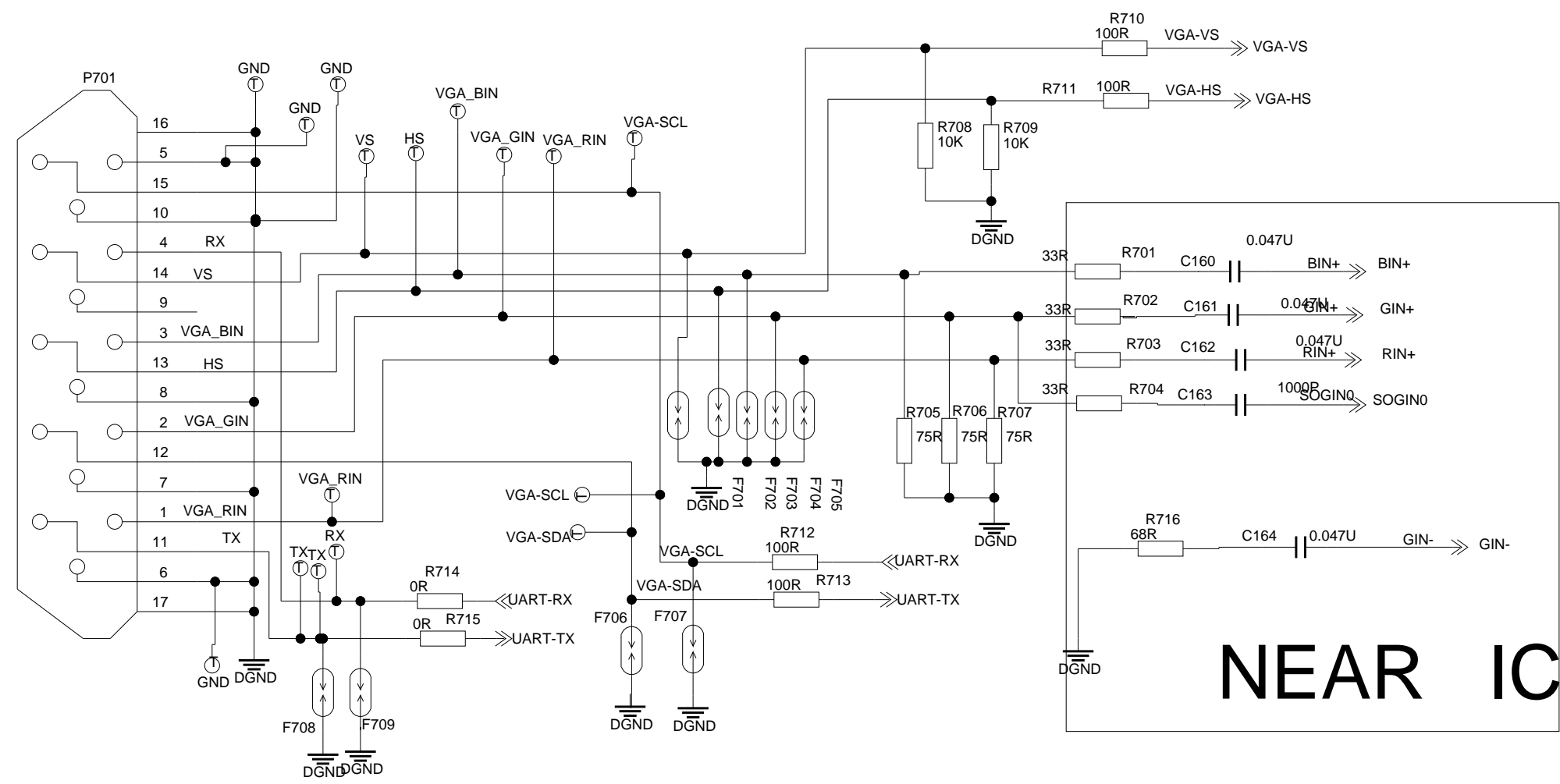
MS82D 信号流程图



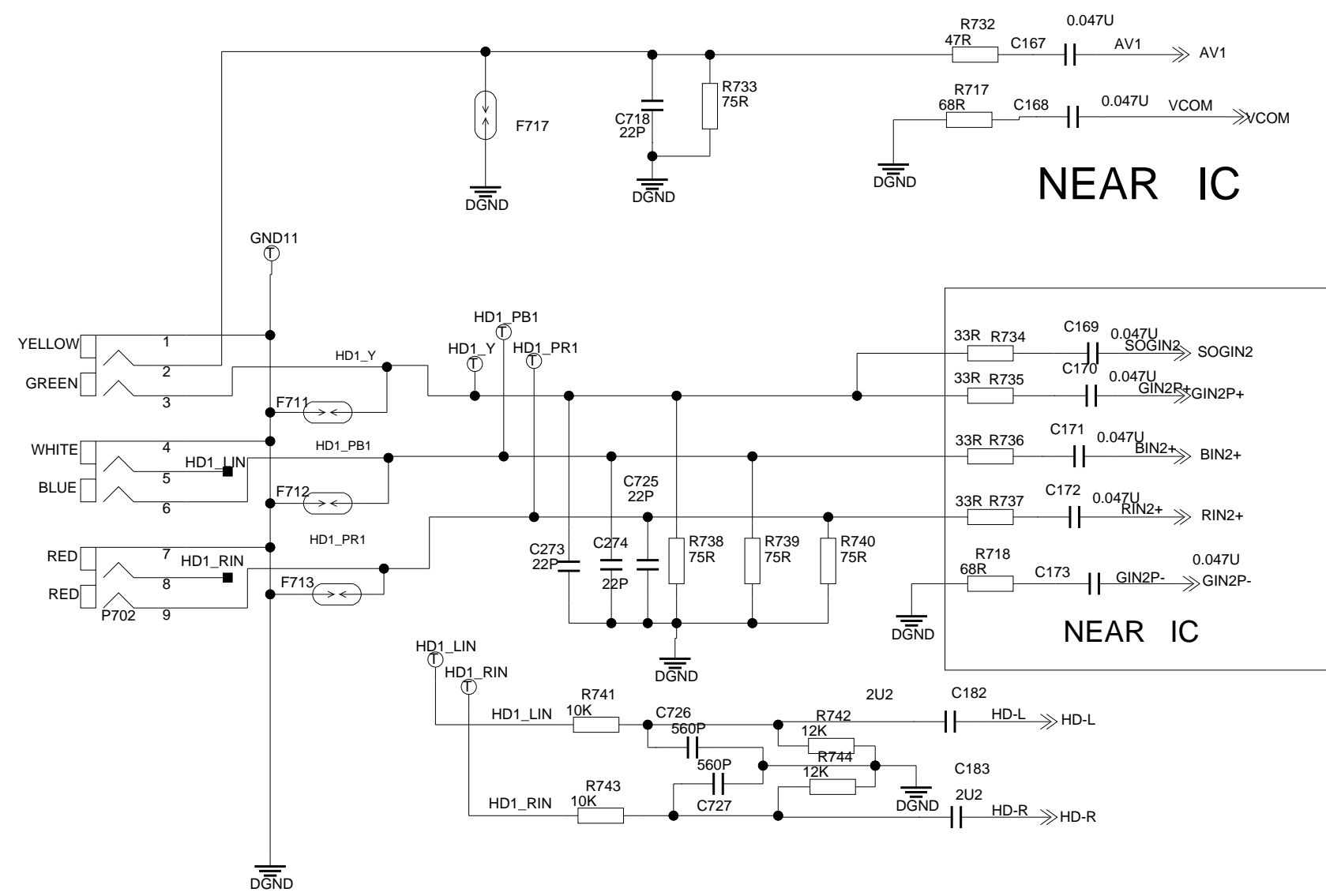
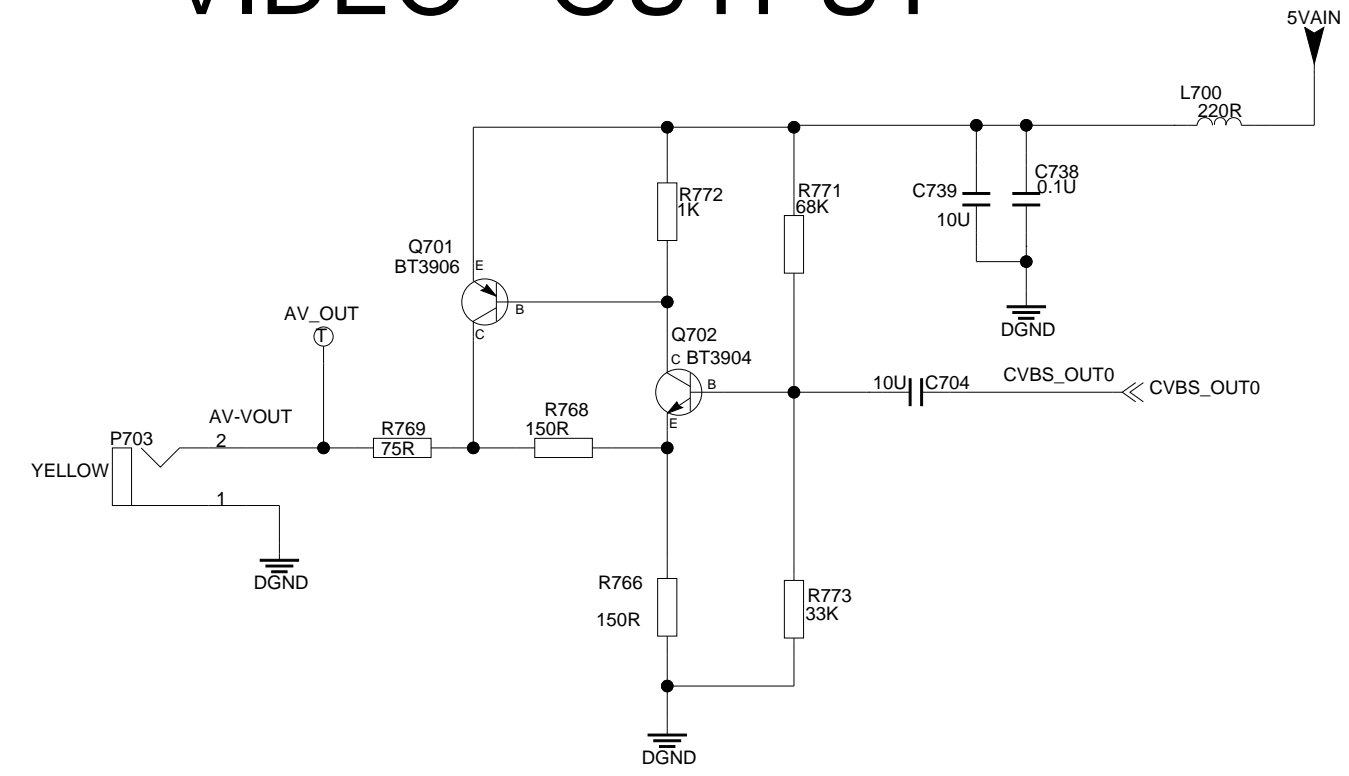
	7	6	5	4	3	2	1										
D	<table border="1" style="margin: auto;"> <tr> <td colspan="2" style="padding: 5px;"><b>MODEL: MS82D POWE NO 24V</b></td> </tr> <tr> <td colspan="2" style="padding: 5px;"><b>DESCRIPTION:</b></td> </tr> <tr> <td style="padding: 5px;"><b>DRAWN:</b></td> <td style="padding: 5px;"><b>DATE:</b></td> </tr> <tr> <td style="padding: 5px;"><b>CHECK:</b></td> <td style="padding: 5px;"><b>DATE:</b></td> </tr> <tr> <td style="padding: 5px;"><b>APPR:</b></td> <td style="padding: 5px;"><b>DATE:</b></td> </tr> </table>						<b>MODEL: MS82D POWE NO 24V</b>		<b>DESCRIPTION:</b>		<b>DRAWN:</b>	<b>DATE:</b>	<b>CHECK:</b>	<b>DATE:</b>	<b>APPR:</b>	<b>DATE:</b>	D
<b>MODEL: MS82D POWE NO 24V</b>																	
<b>DESCRIPTION:</b>																	
<b>DRAWN:</b>	<b>DATE:</b>																
<b>CHECK:</b>	<b>DATE:</b>																
<b>APPR:</b>	<b>DATE:</b>																
C							C										
B							B										
A	<h1 style="margin: 0;">01-0MS82D-MA1</h1>					<table border="1" style="margin: auto;"> <tr> <td colspan="3" style="text-align: center;"><b>TCL</b></td> </tr> <tr> <td colspan="3" style="font-size: 8px;">           WW R&amp;D CENTER TCL MULTIMEDIA TECHNOLOGY HOLDING LTD.            5TH FLOOR TCL BUILDING SOUTH NANSHI ROAD            NANSHAN DISTRICT SHENZHEN GUANGDONG 518067 CHINA            TEL: +86 755 33312403         </td> </tr> <tr> <td style="font-size: 8px;">NOTE:</td> <td style="font-size: 8px;">.....</td> <td style="font-size: 8px;">PAGE: 1 OF</td> </tr> </table>		<b>TCL</b>			WW R&D CENTER TCL MULTIMEDIA TECHNOLOGY HOLDING LTD. 5TH FLOOR TCL BUILDING SOUTH NANSHI ROAD NANSHAN DISTRICT SHENZHEN GUANGDONG 518067 CHINA TEL: +86 755 33312403			NOTE:	.....	PAGE: 1 OF	
<b>TCL</b>																	
WW R&D CENTER TCL MULTIMEDIA TECHNOLOGY HOLDING LTD. 5TH FLOOR TCL BUILDING SOUTH NANSHI ROAD NANSHAN DISTRICT SHENZHEN GUANGDONG 518067 CHINA TEL: +86 755 33312403																	
NOTE:	.....	PAGE: 1 OF															
	7	6	5	4	3	2	1										

THIS DRAWING CANNOT BE COMMUNICATED TO UNAUTHORIZED PERSONS COPIED UNLESS PERMITTED IN WRITING

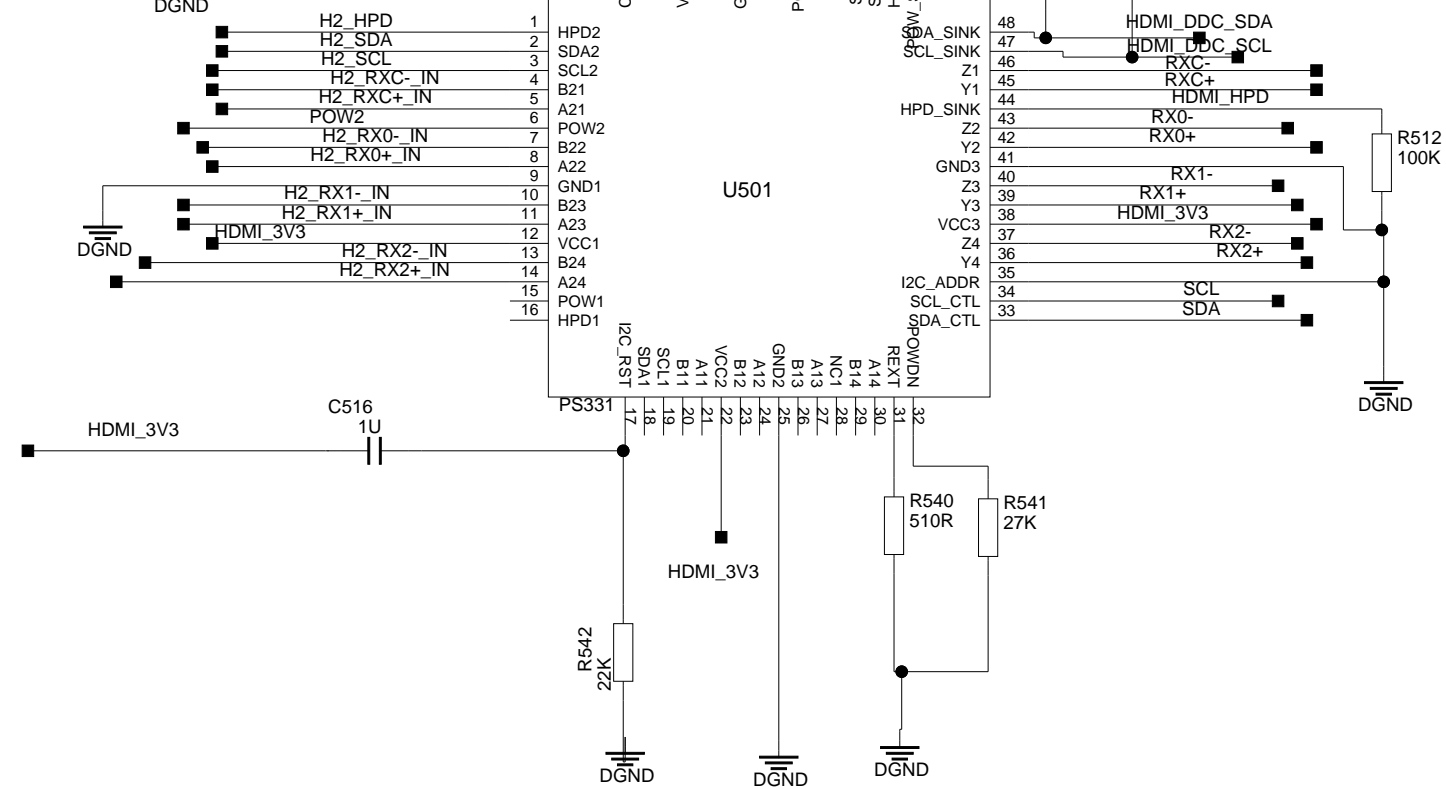
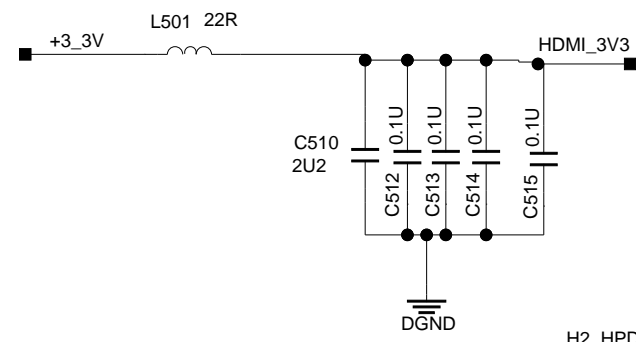
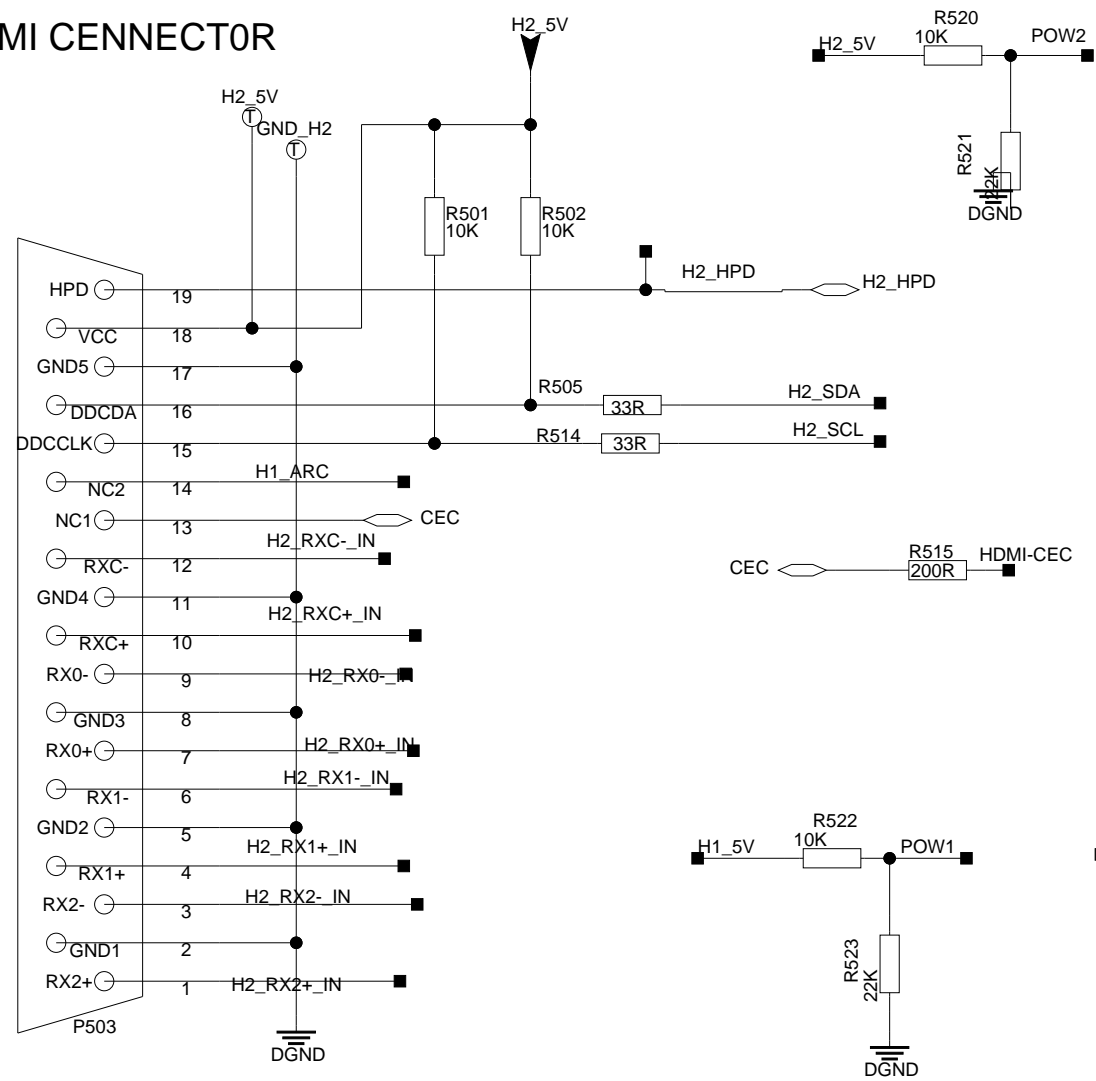
VGA & Y Pb Pr & VIDEO & audio input



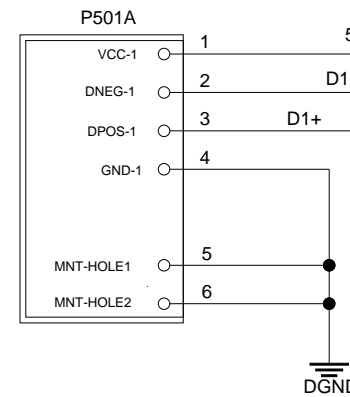
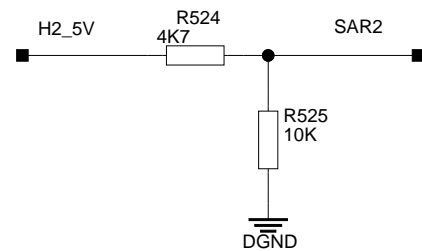
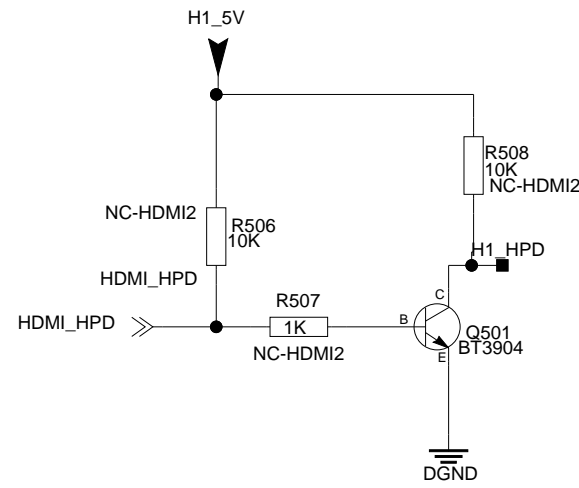
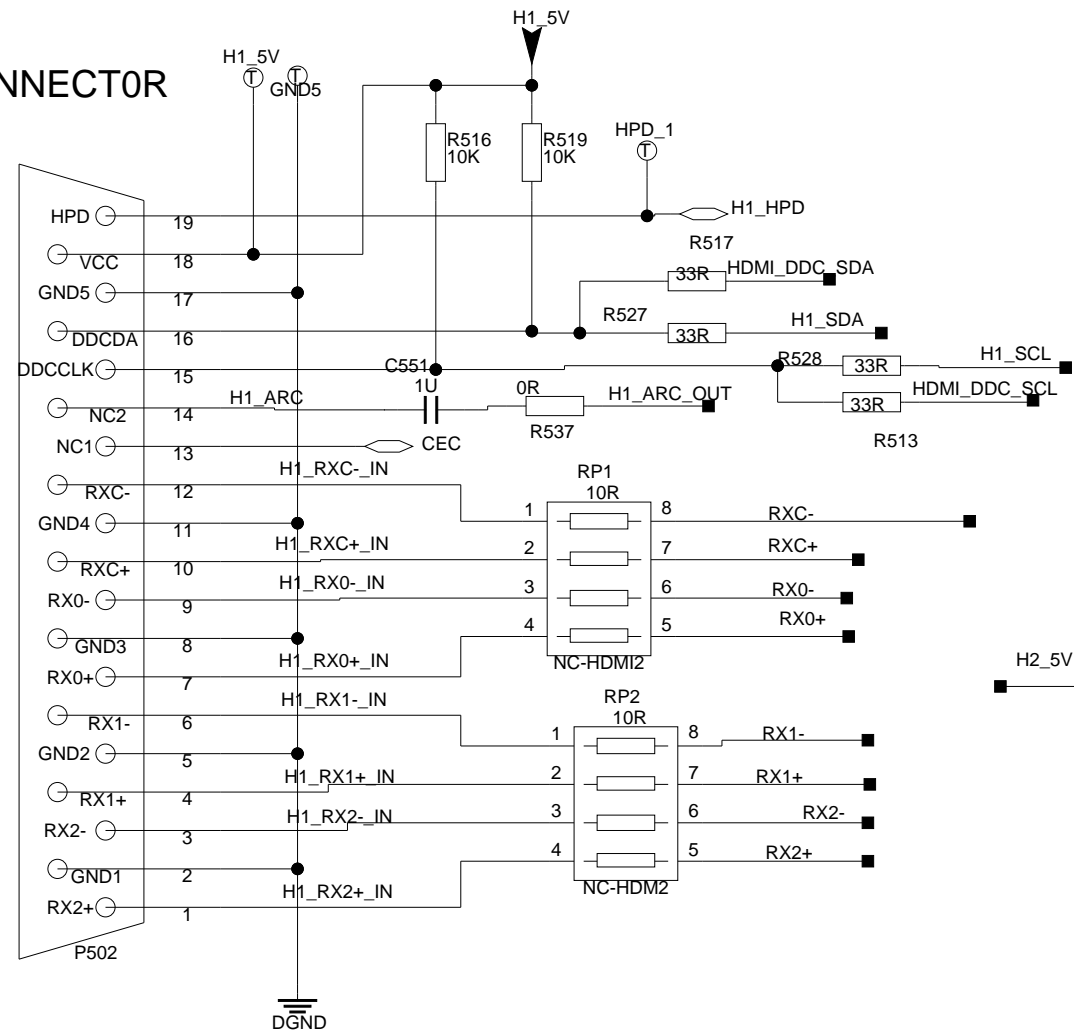
VIDEO OUTPUT



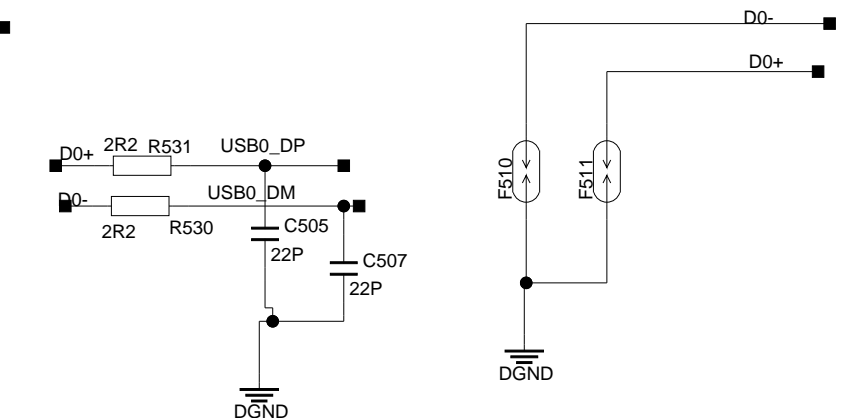
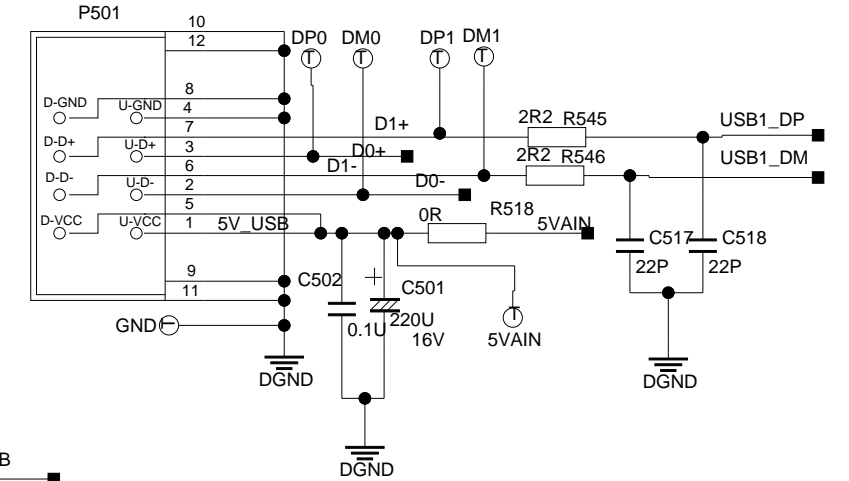
## HDMI CENNECTOR



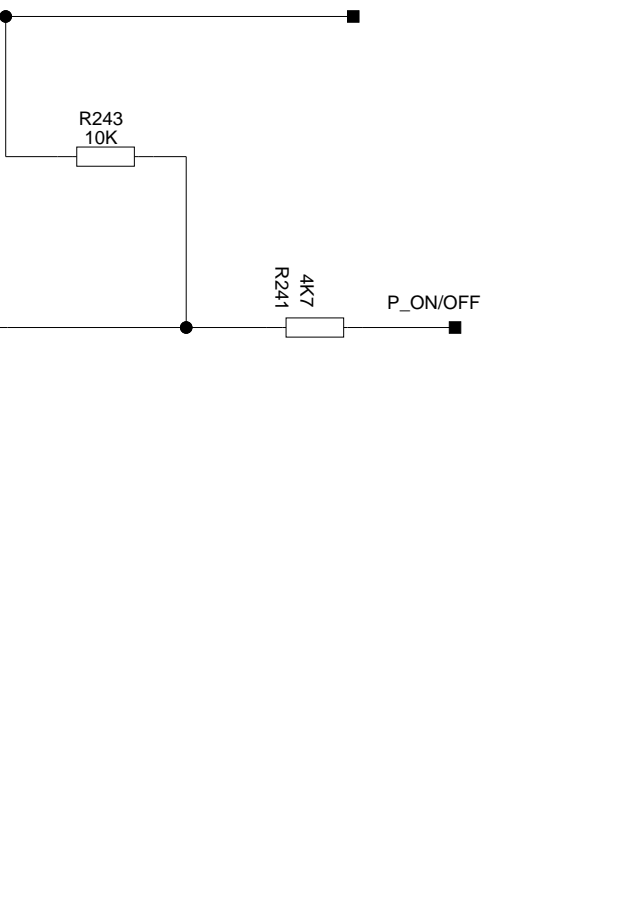
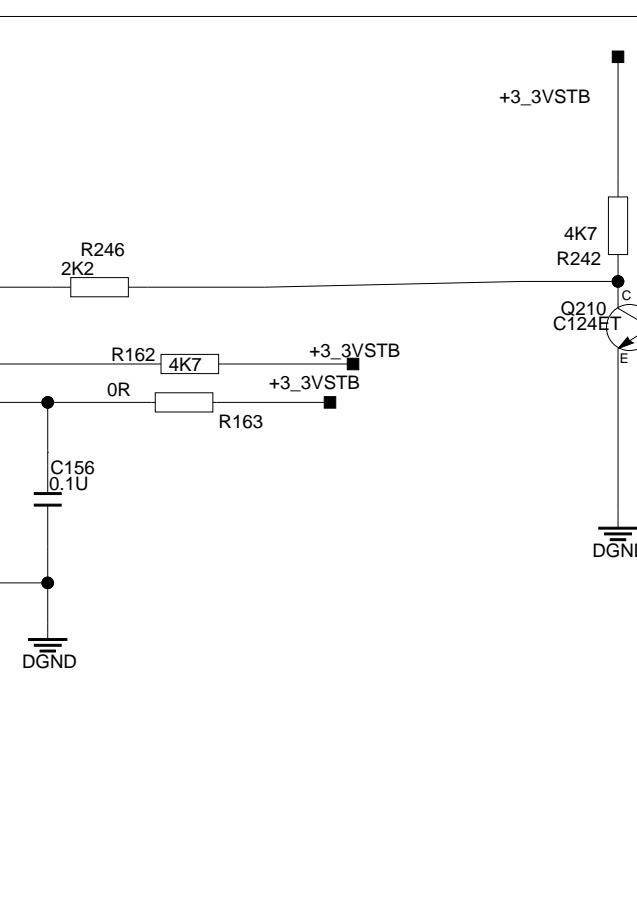
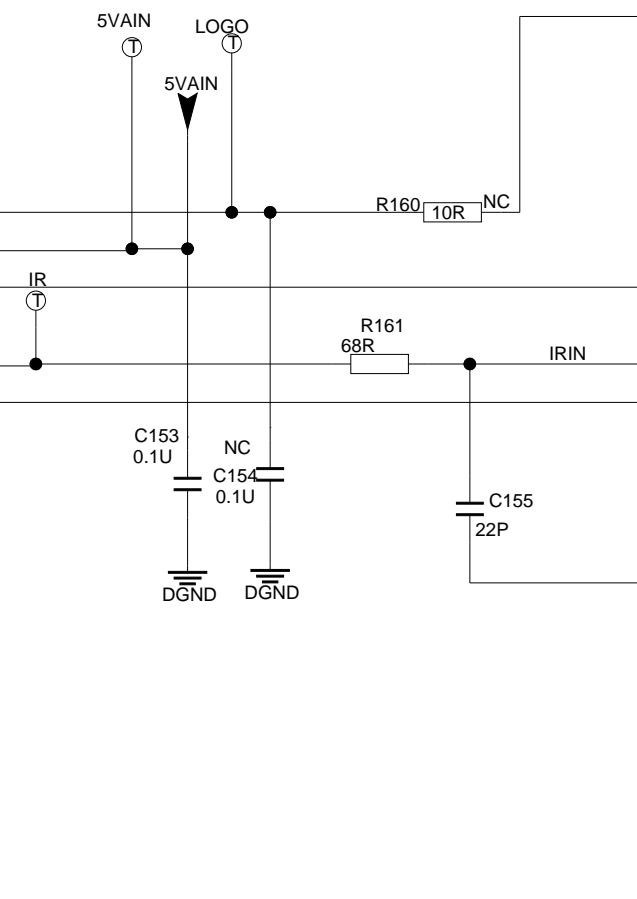
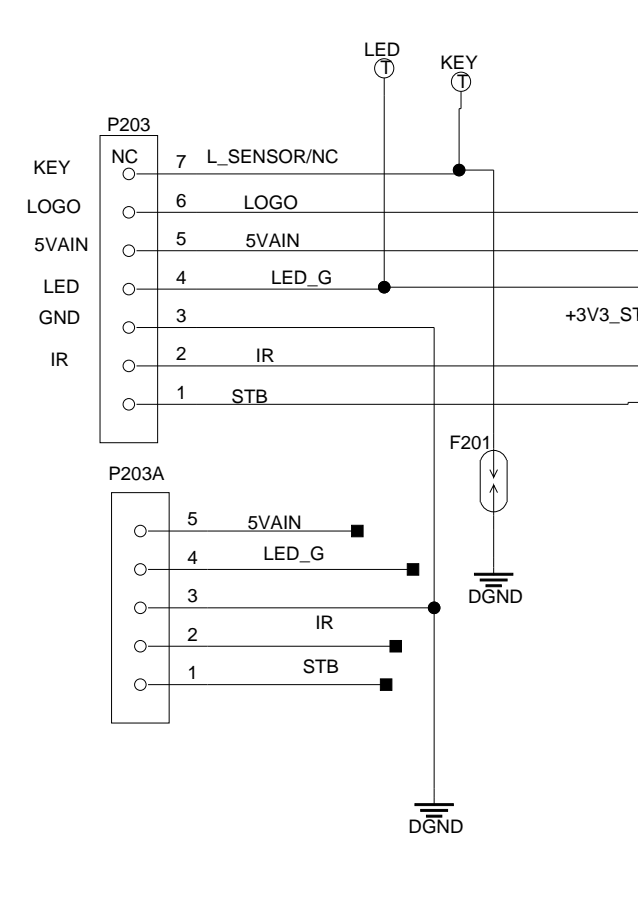
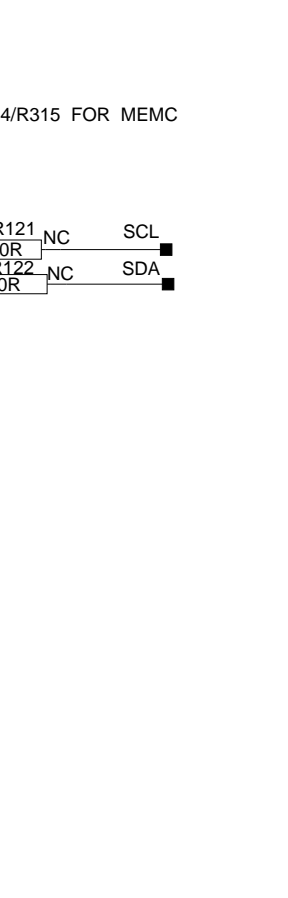
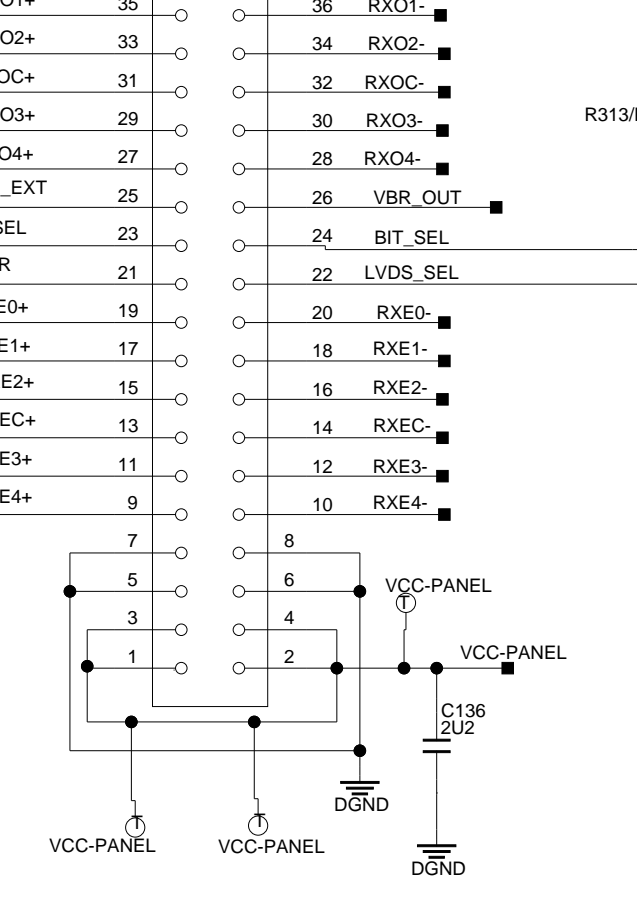
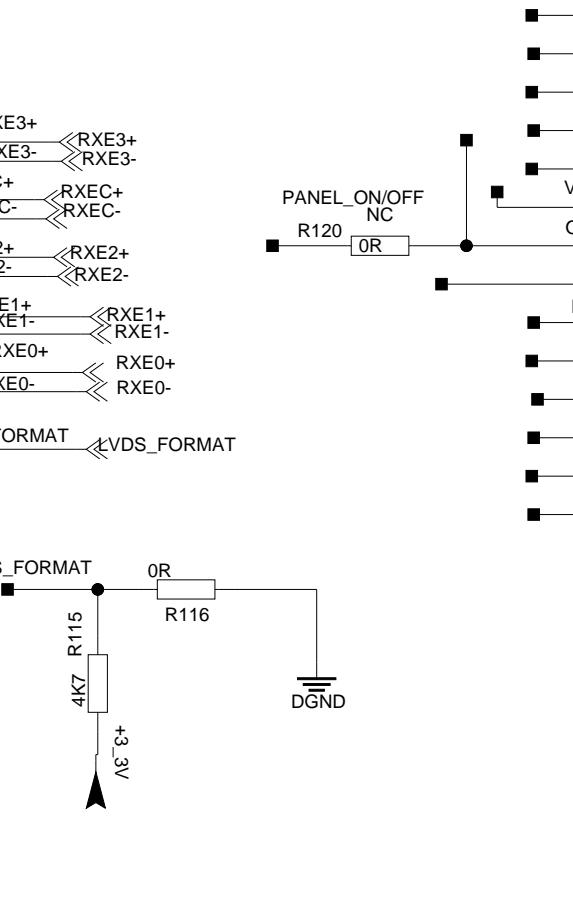
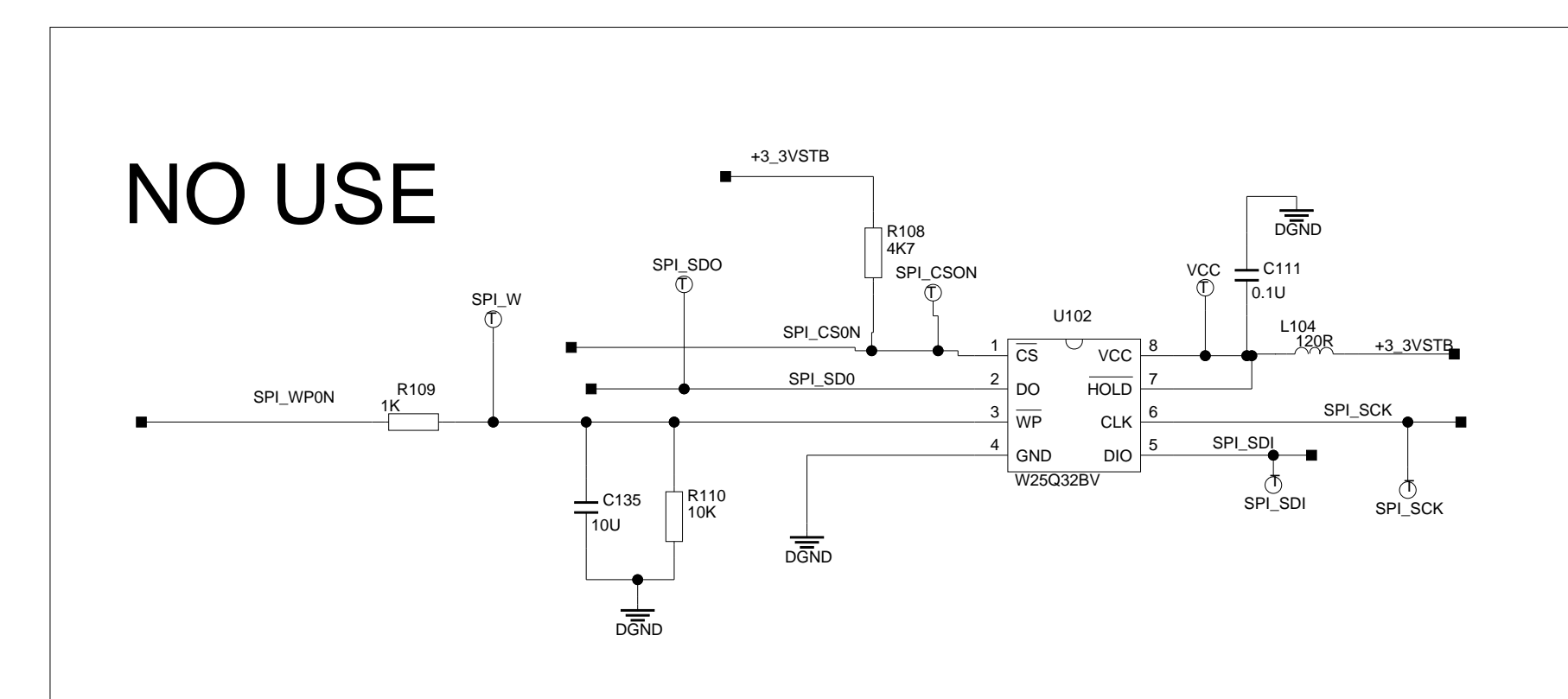
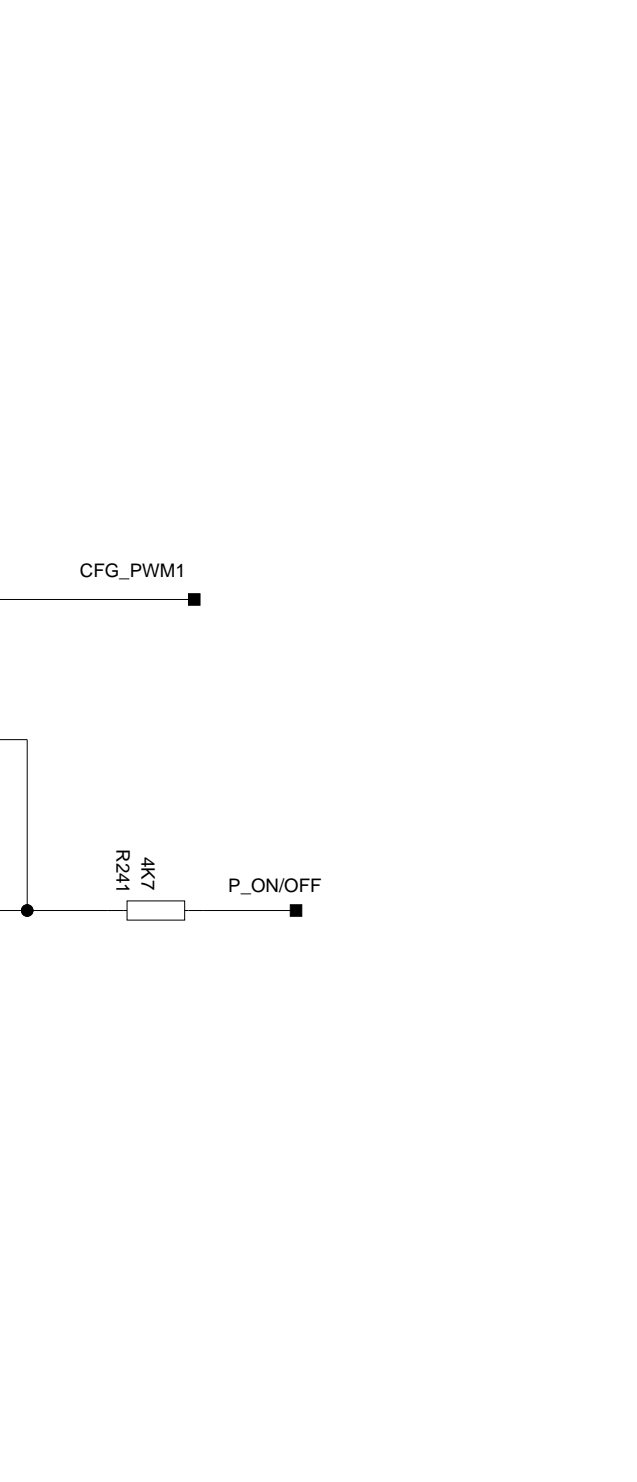
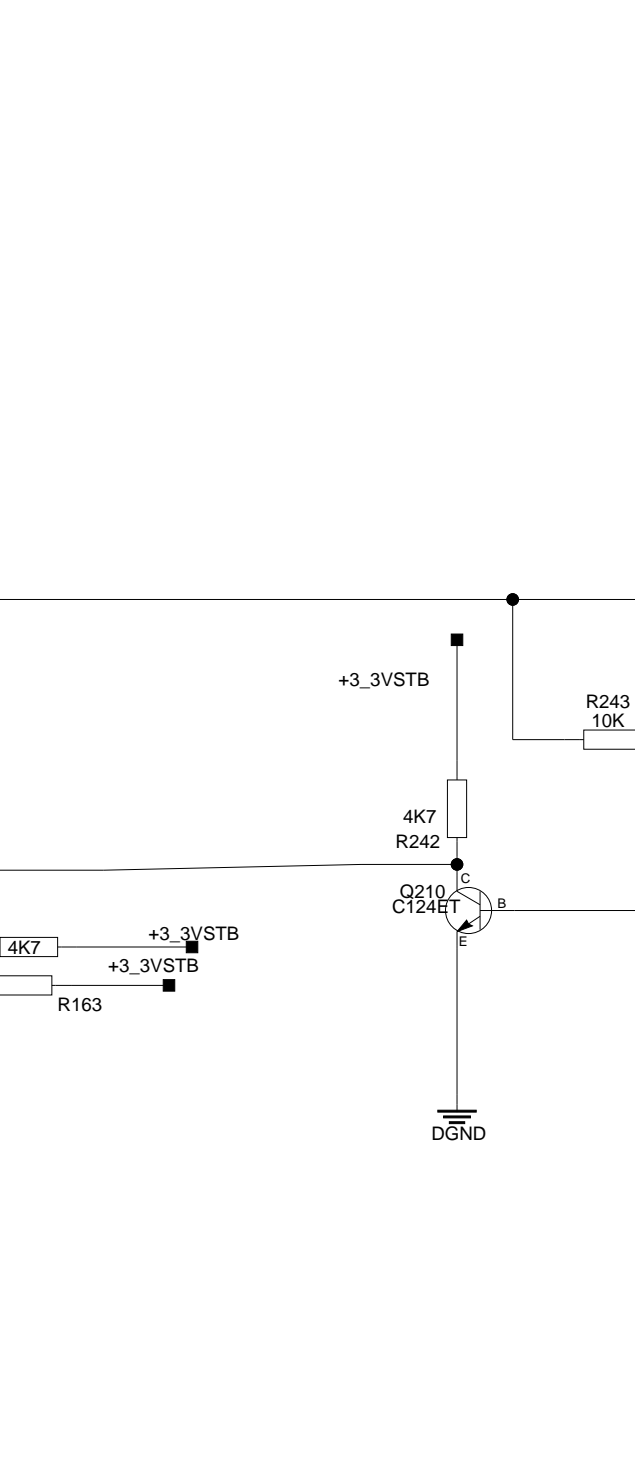
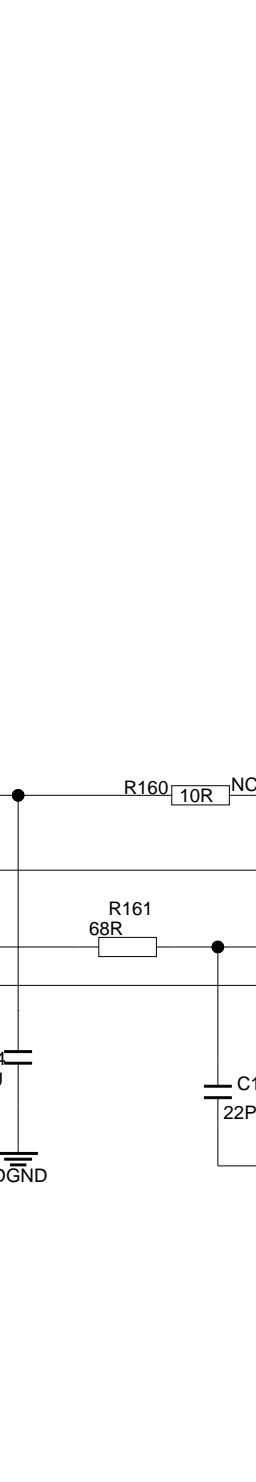
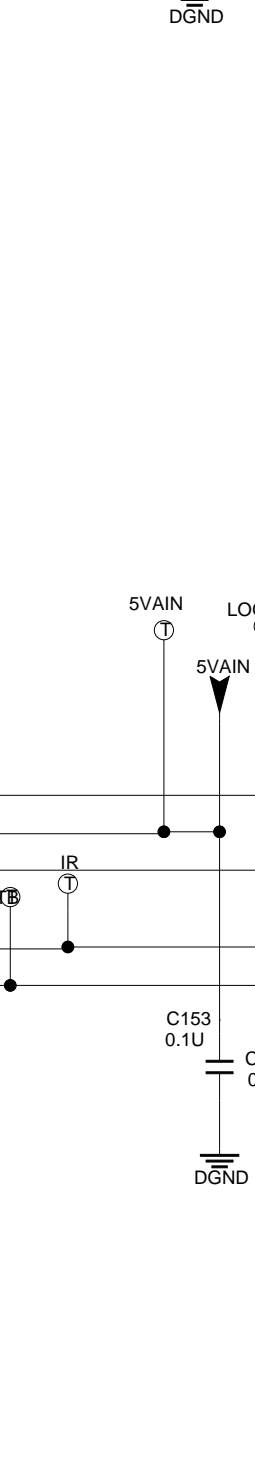
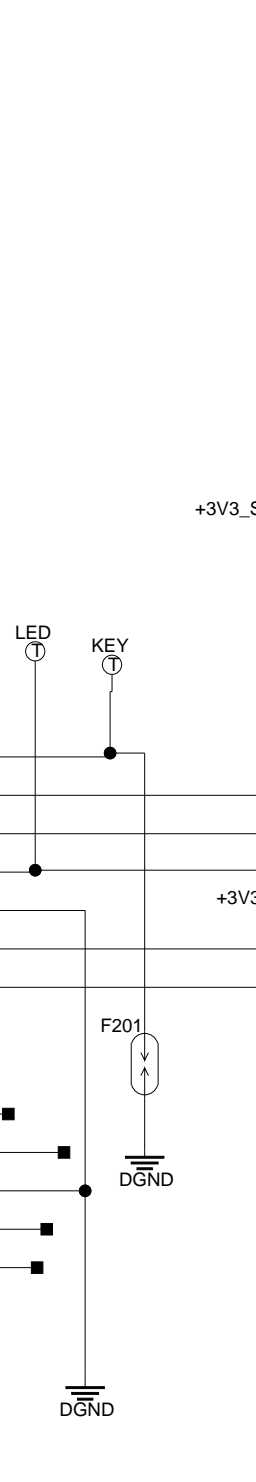
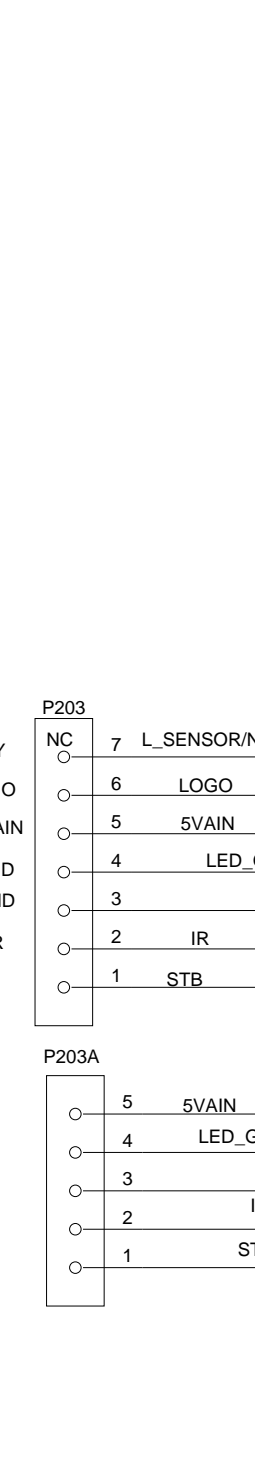
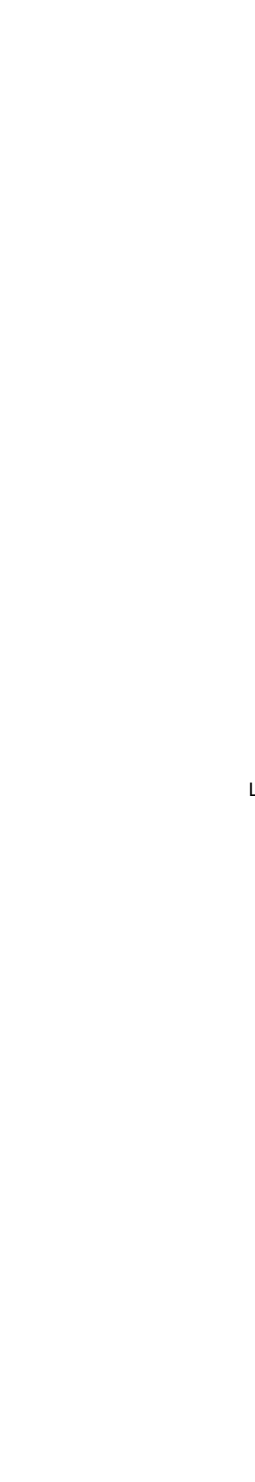
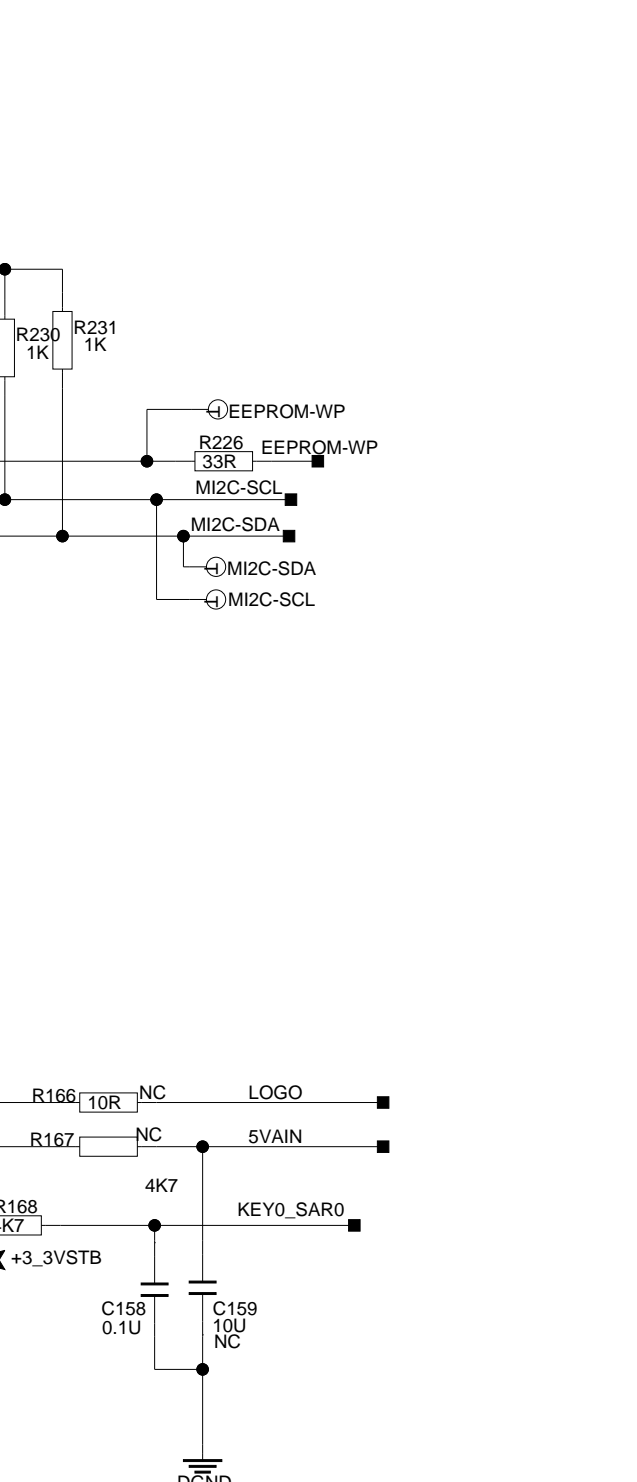
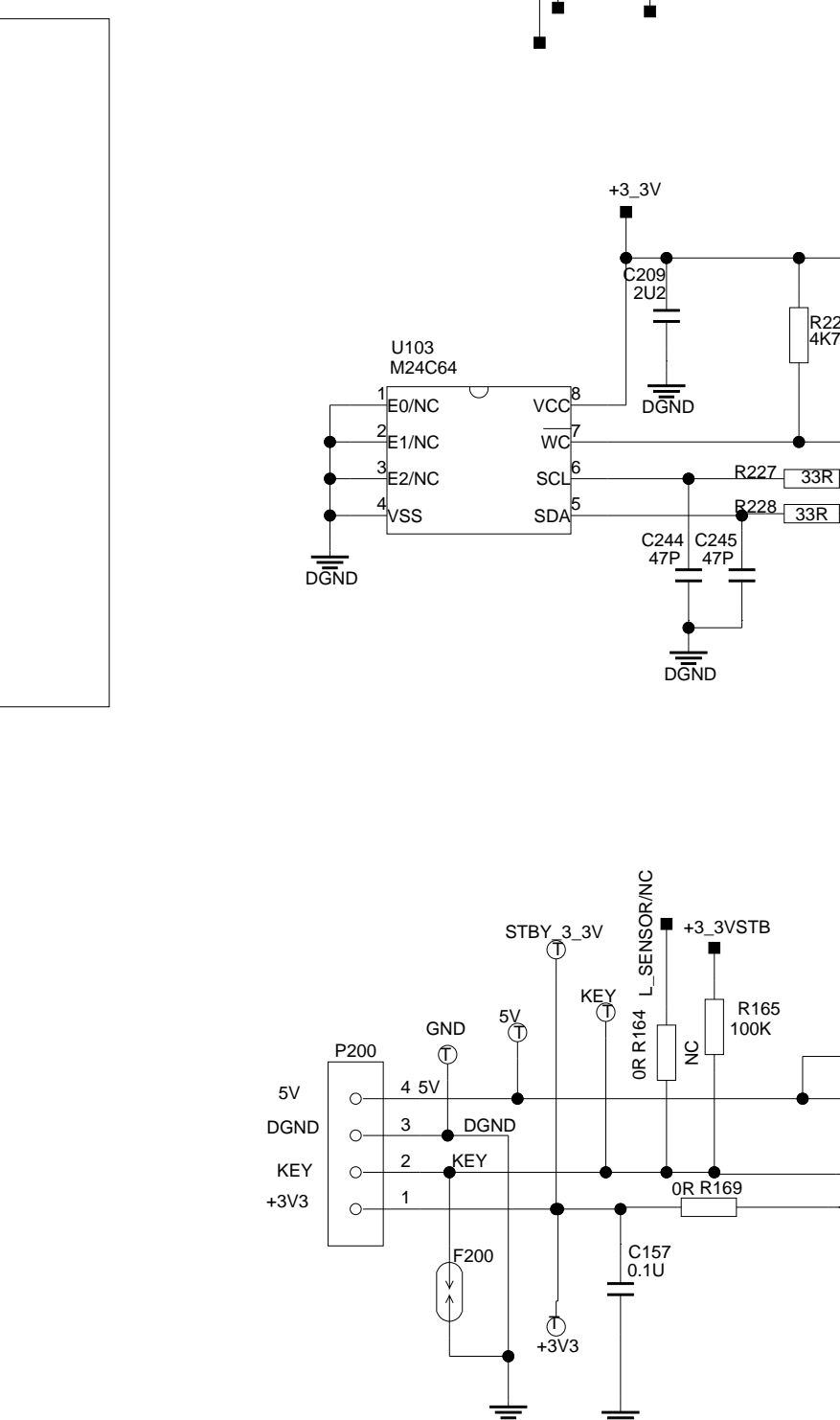
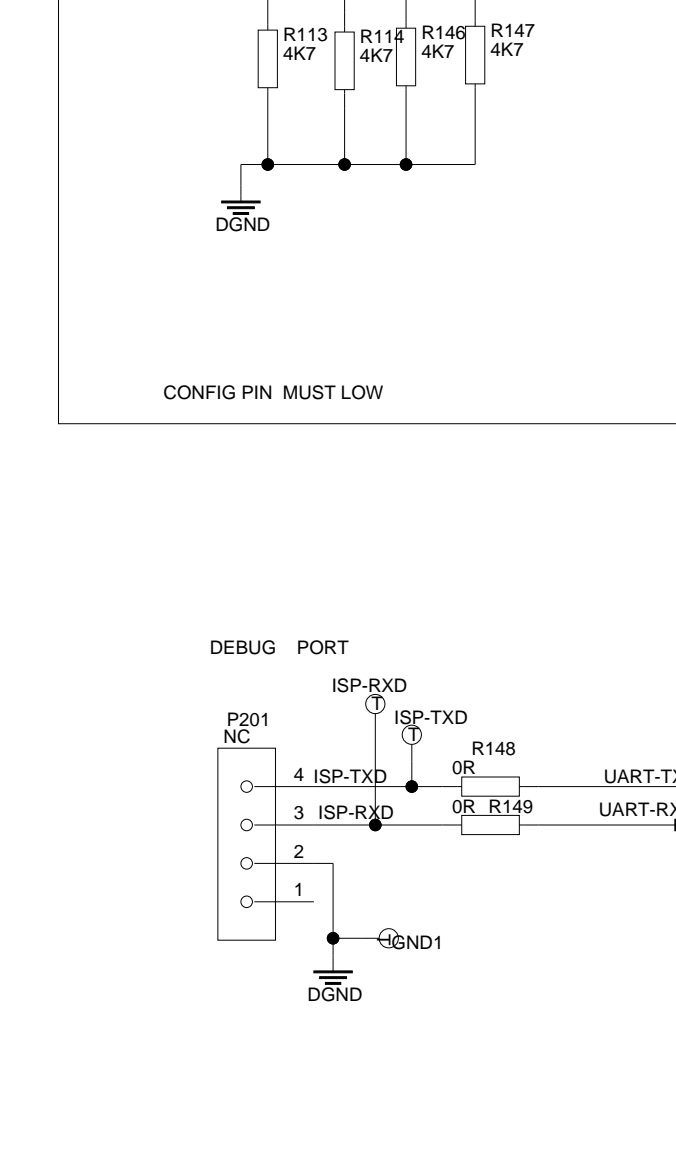
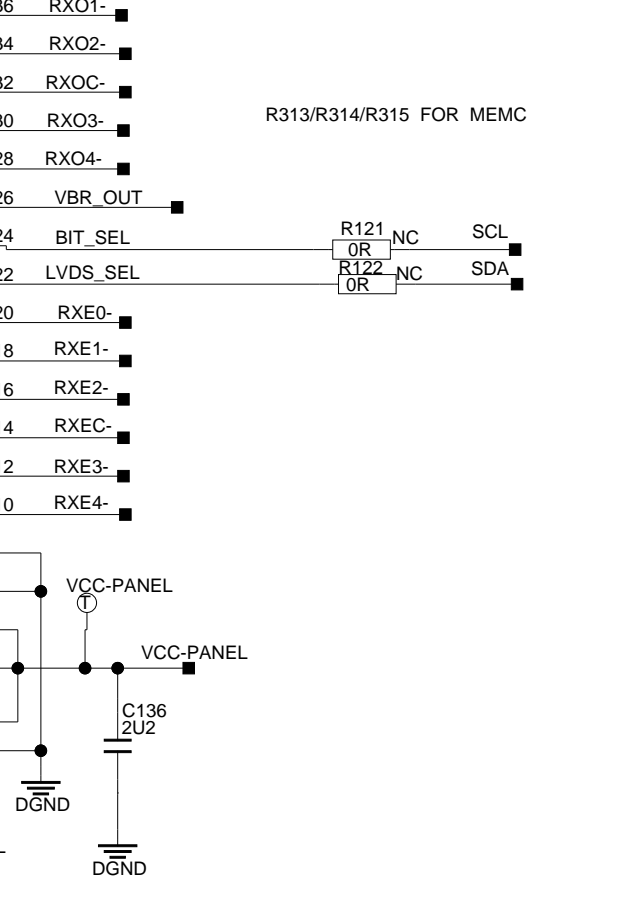
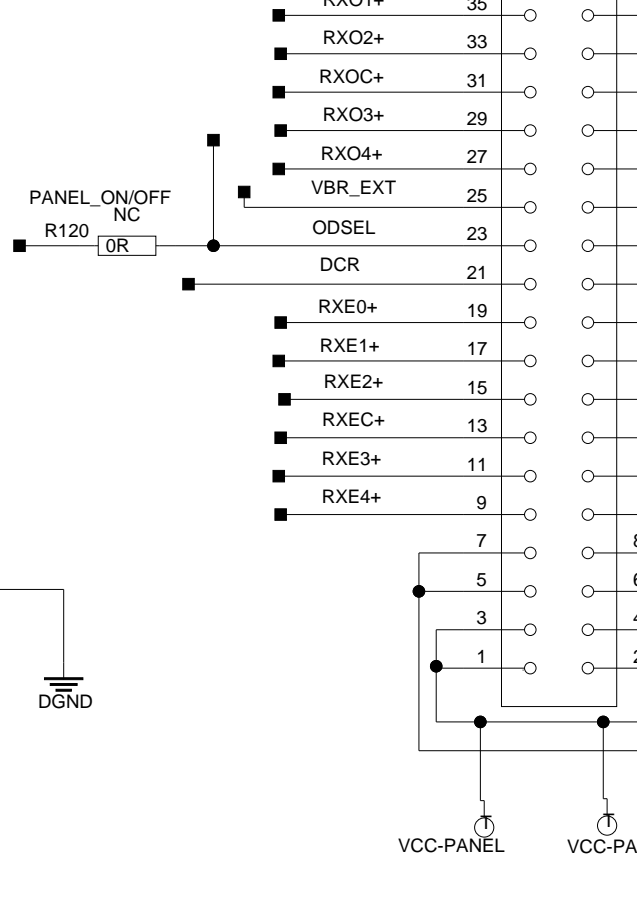
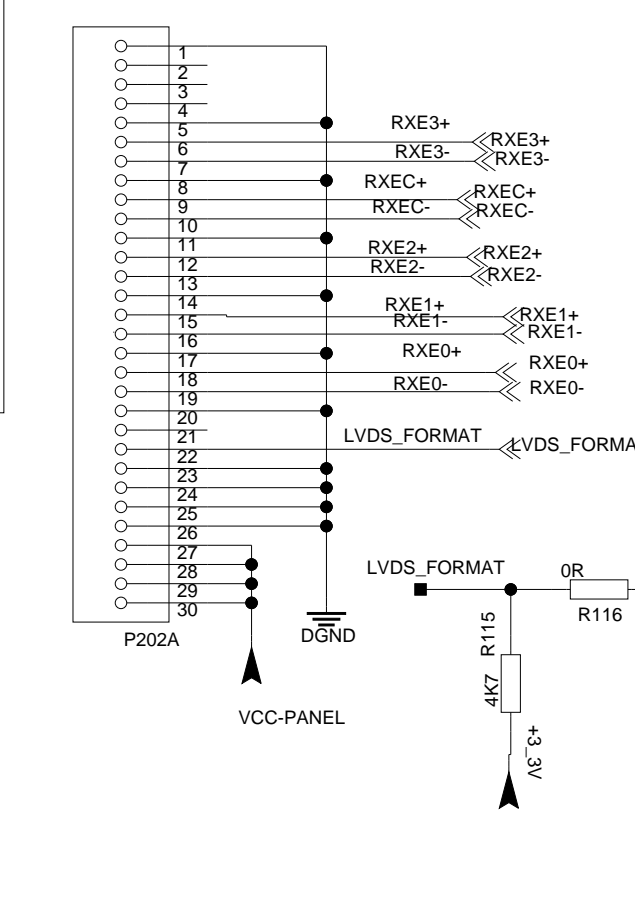
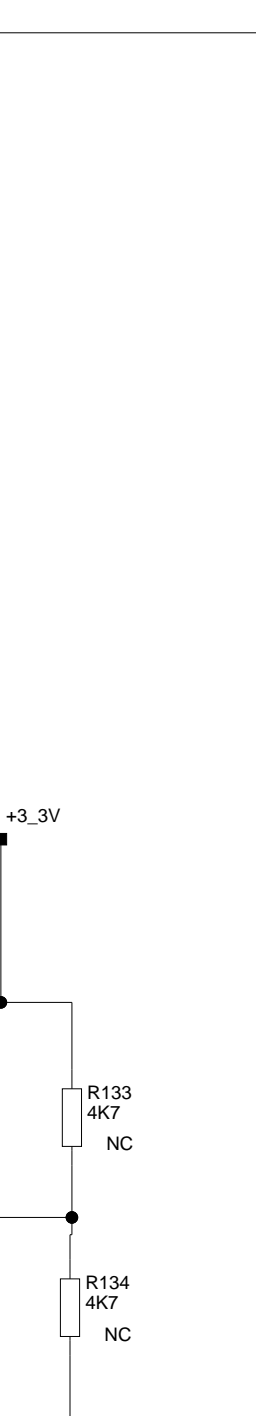
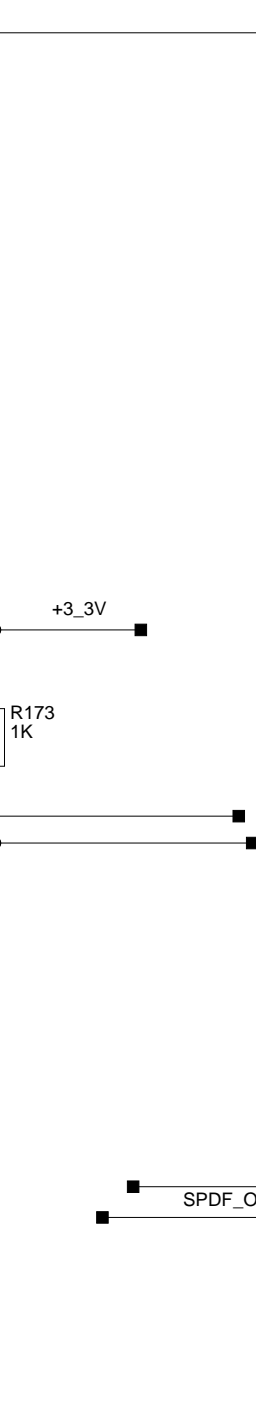
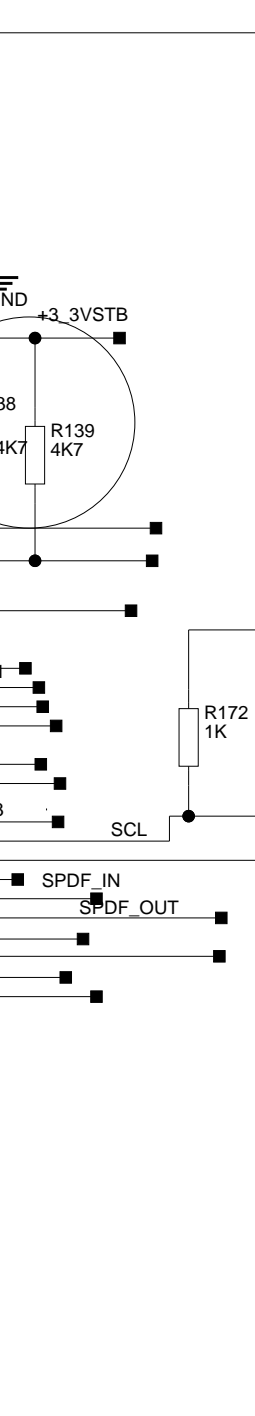
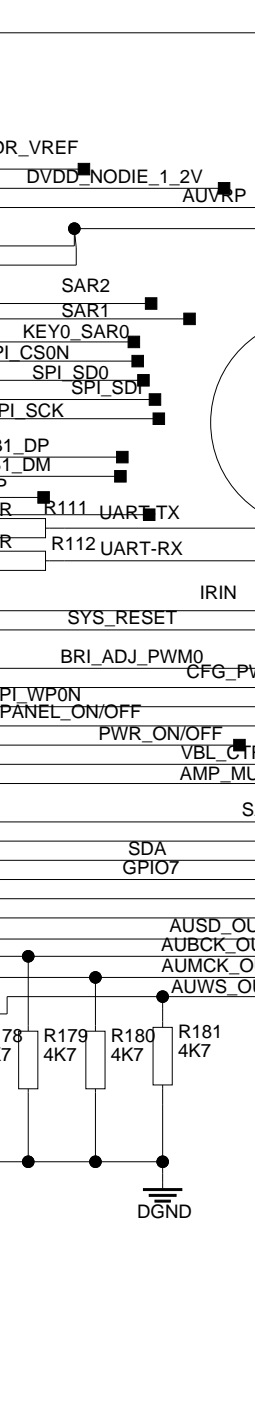
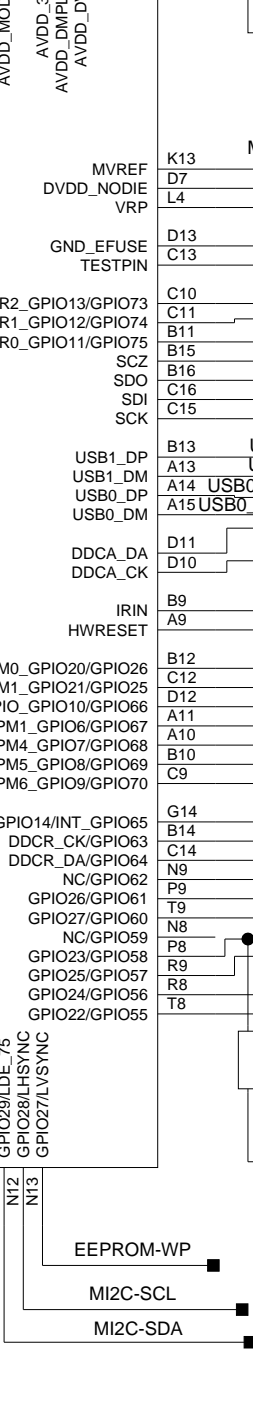
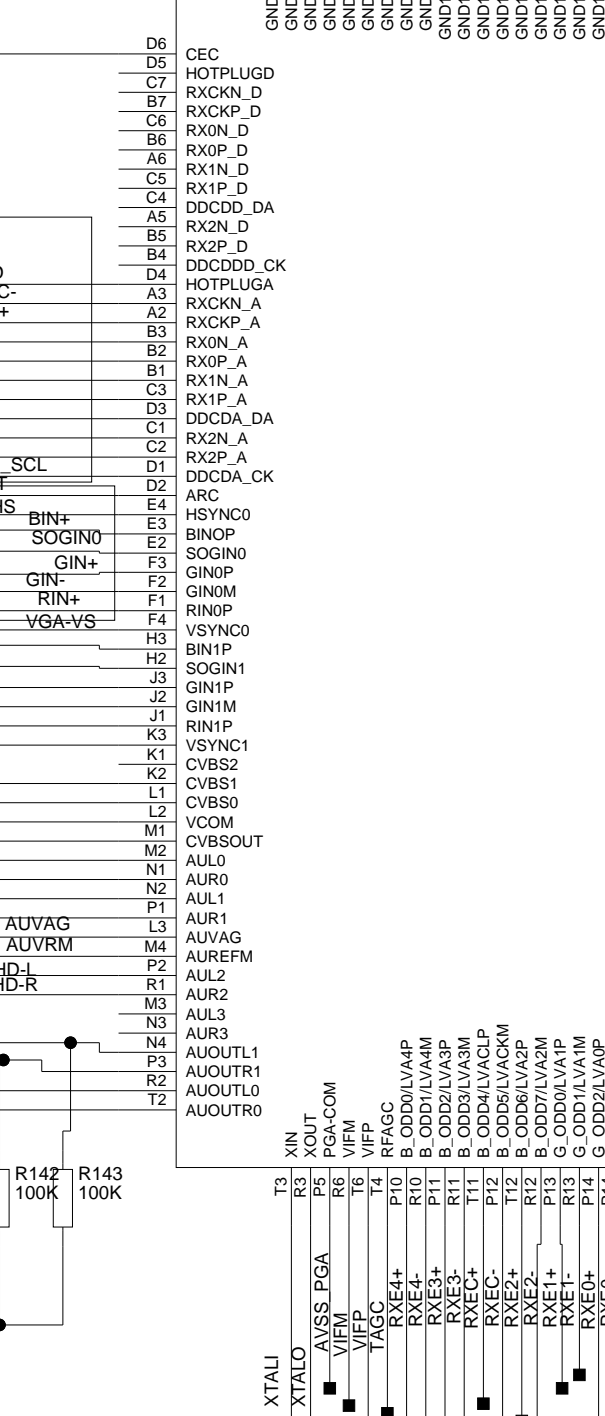
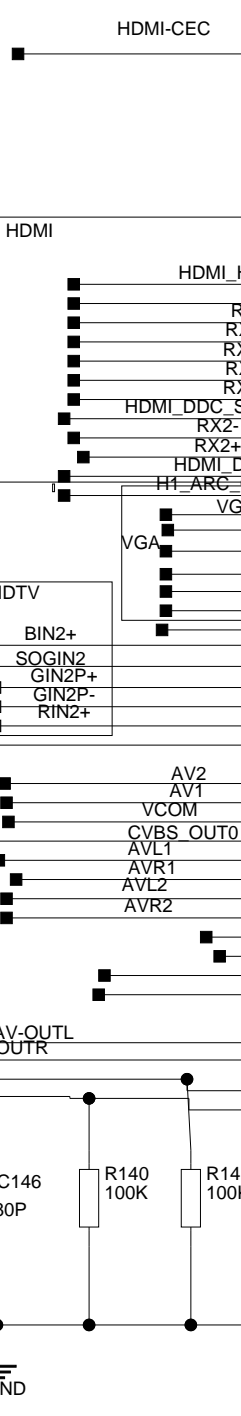
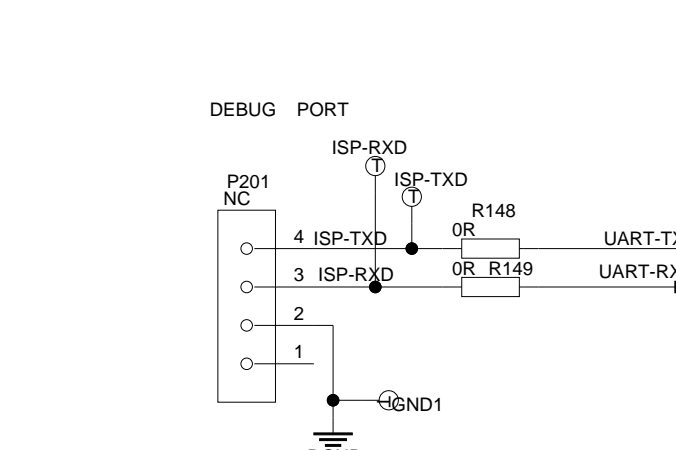
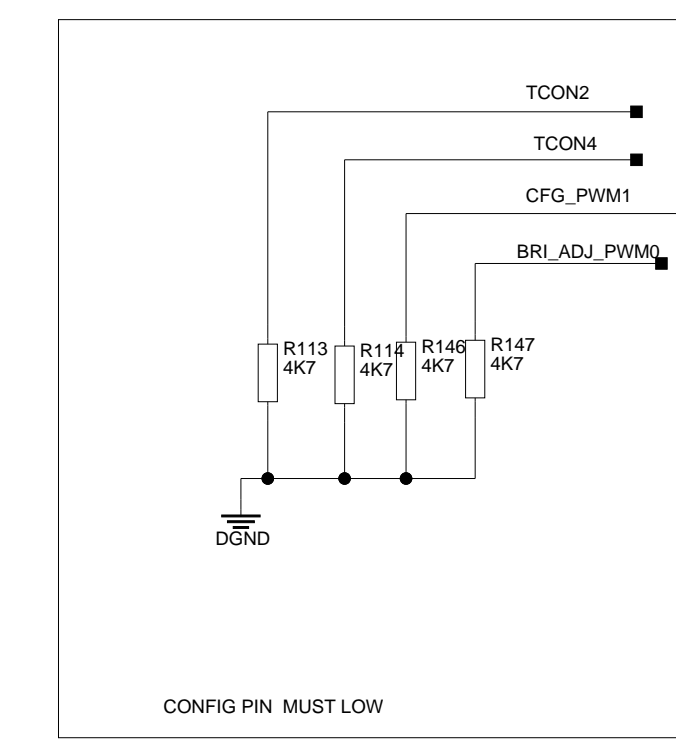
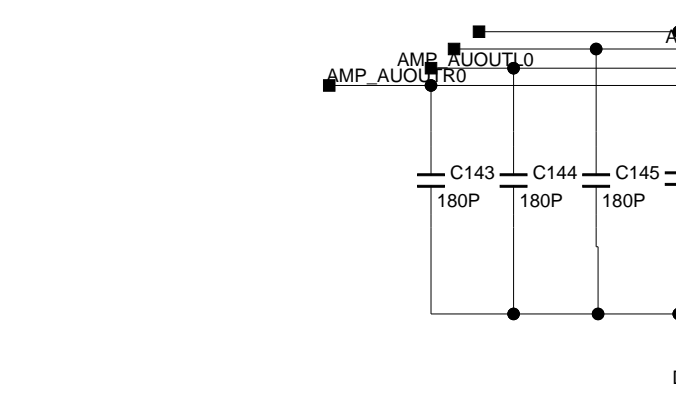
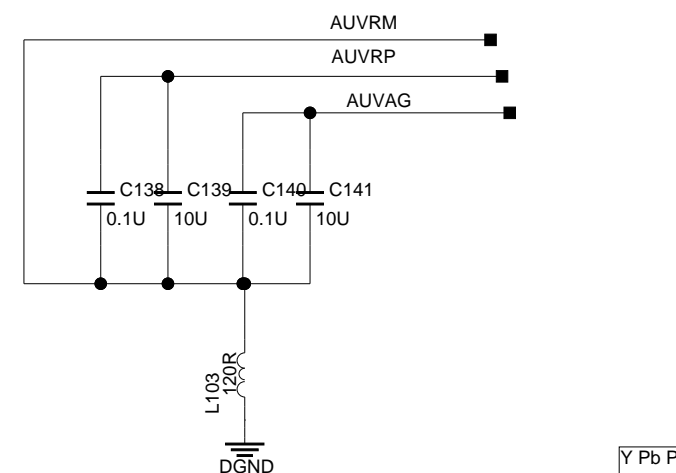
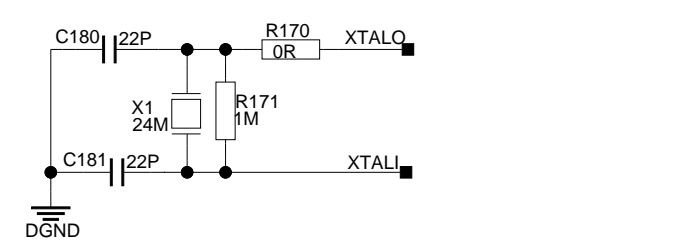
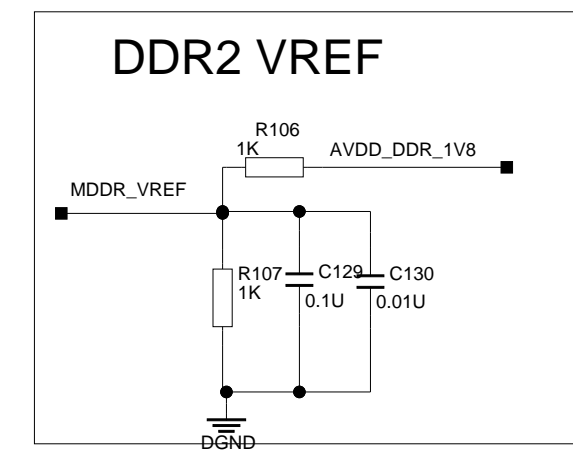
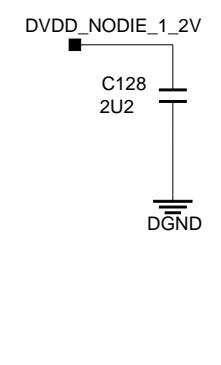
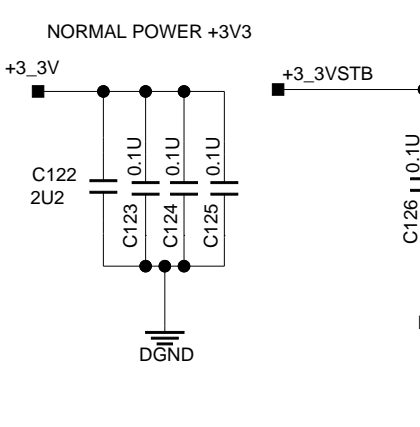
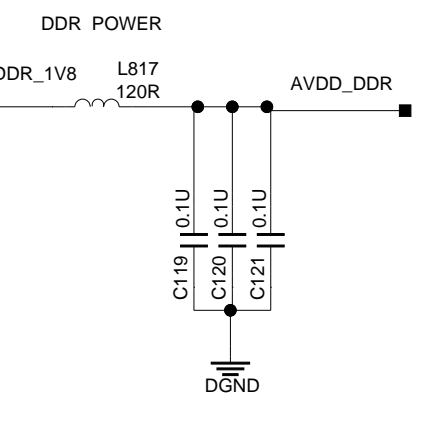
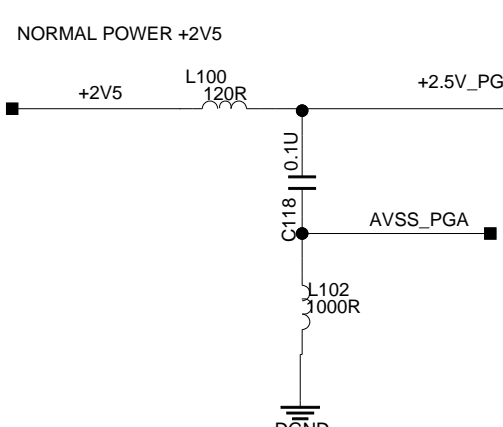
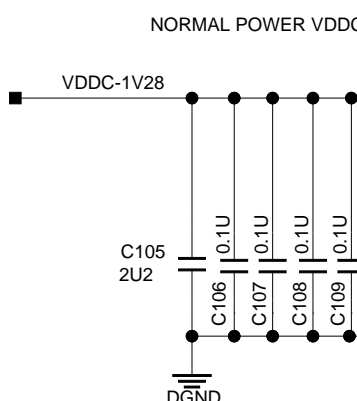
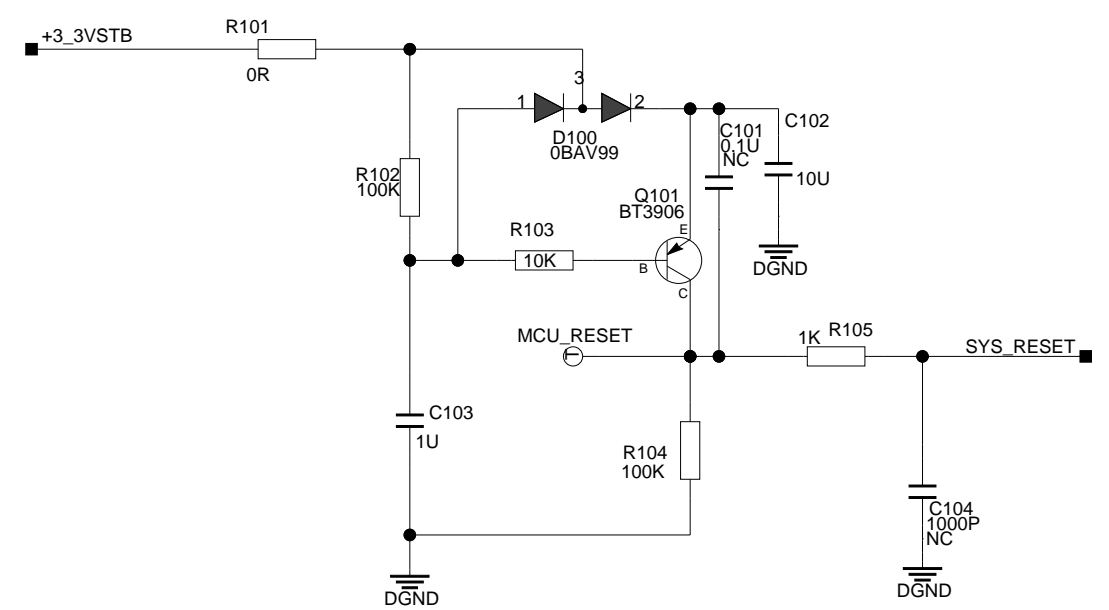
## HDMI CENNECTOR

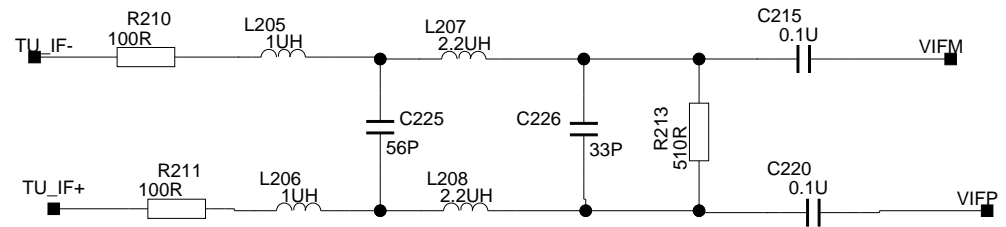
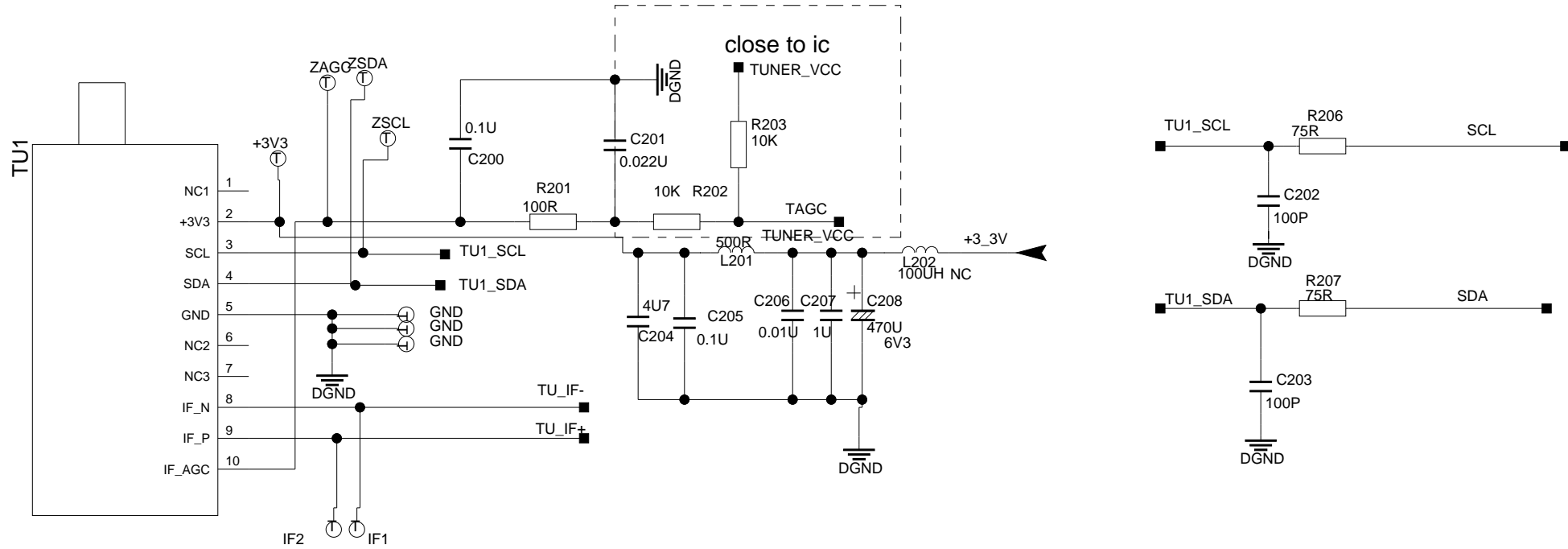


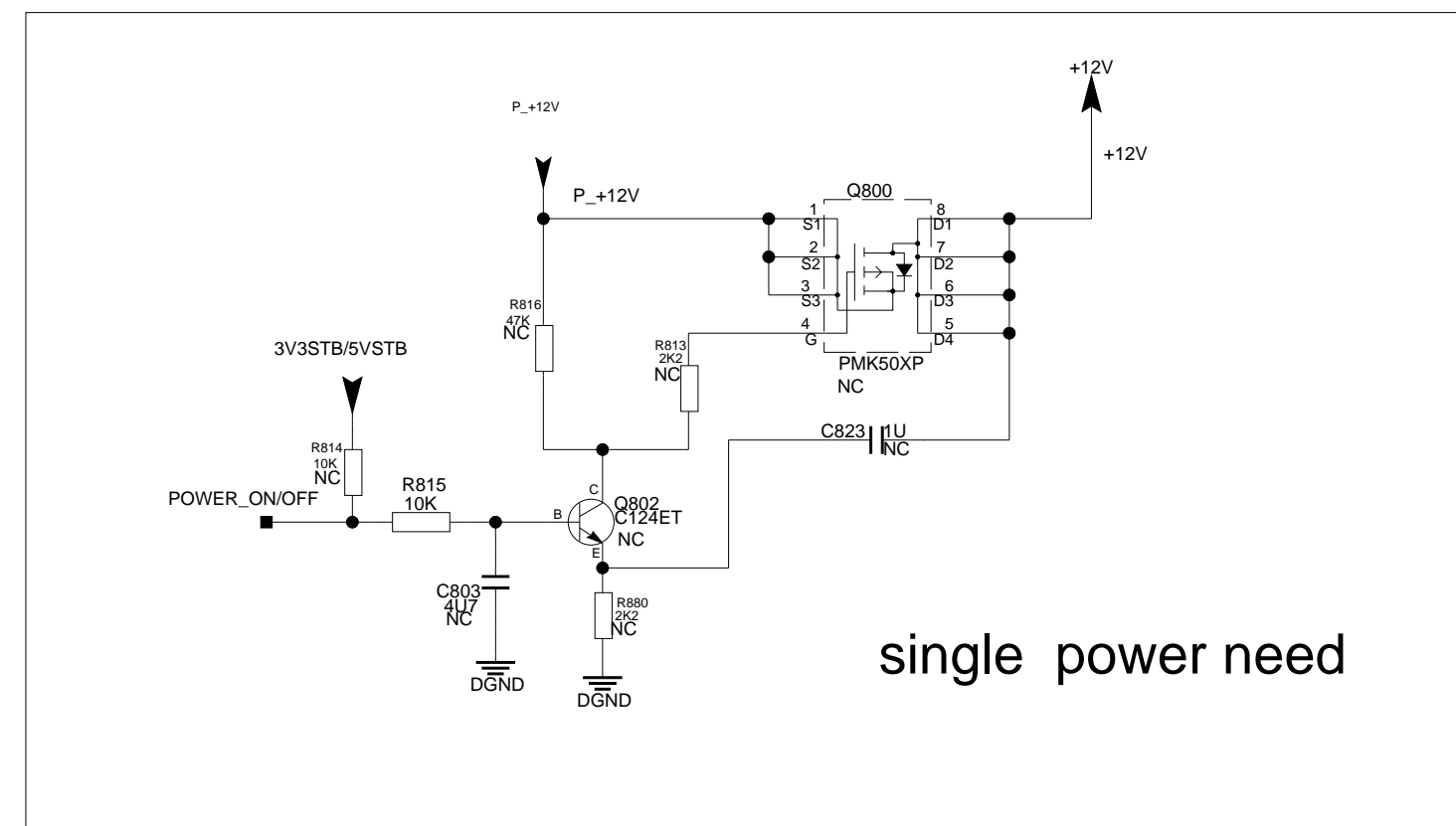
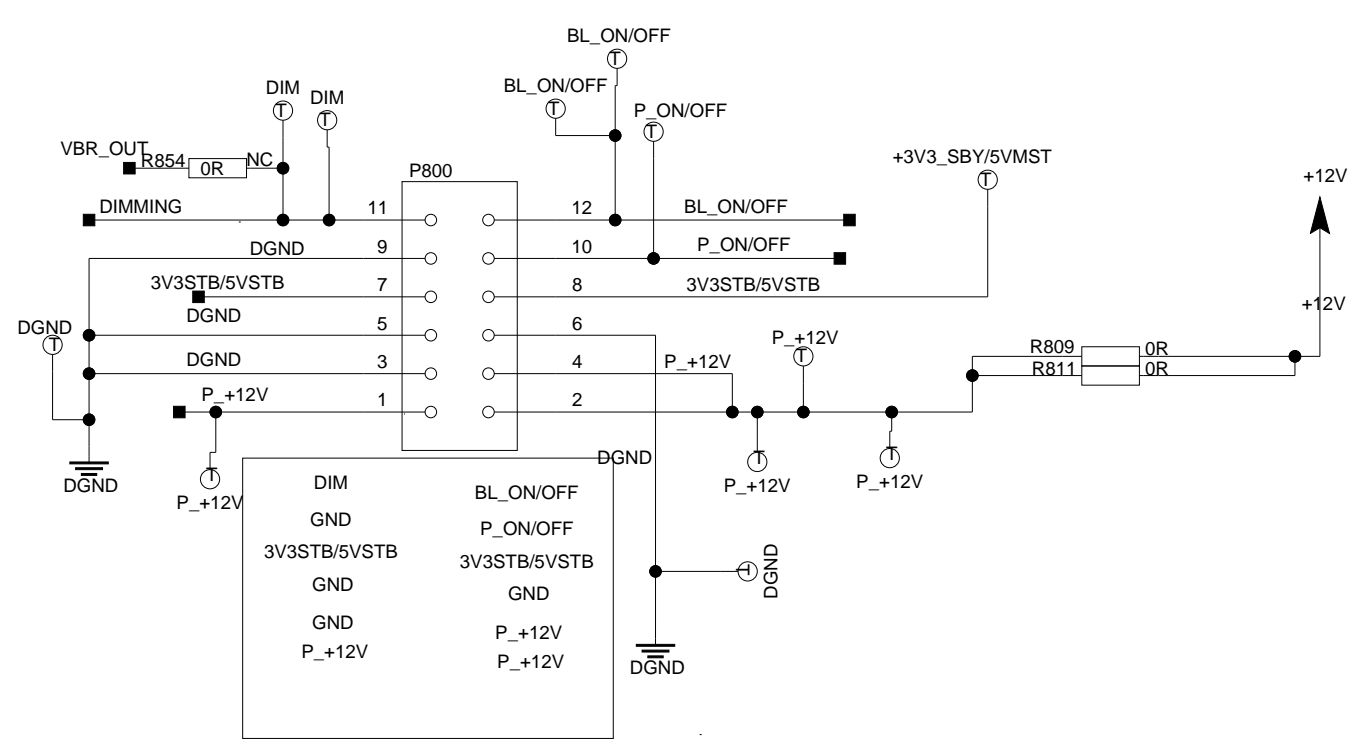
## USB CENNECTOR



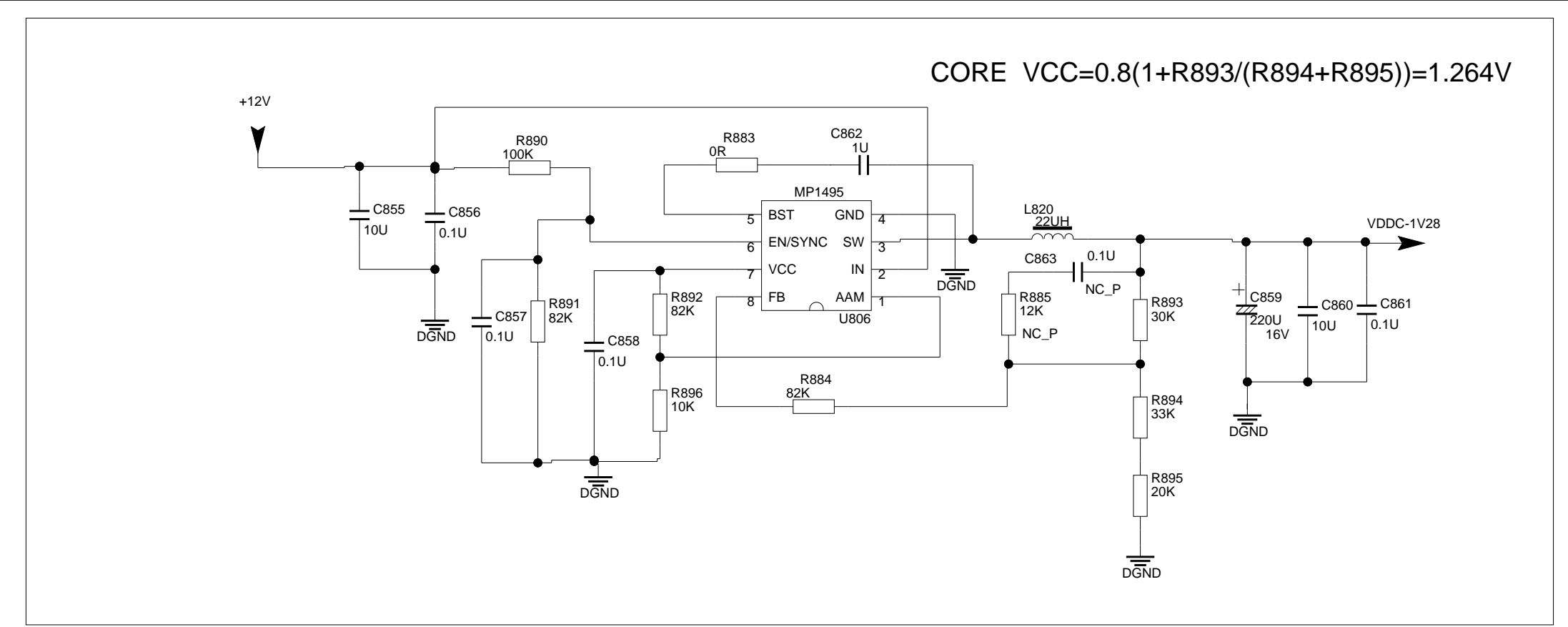
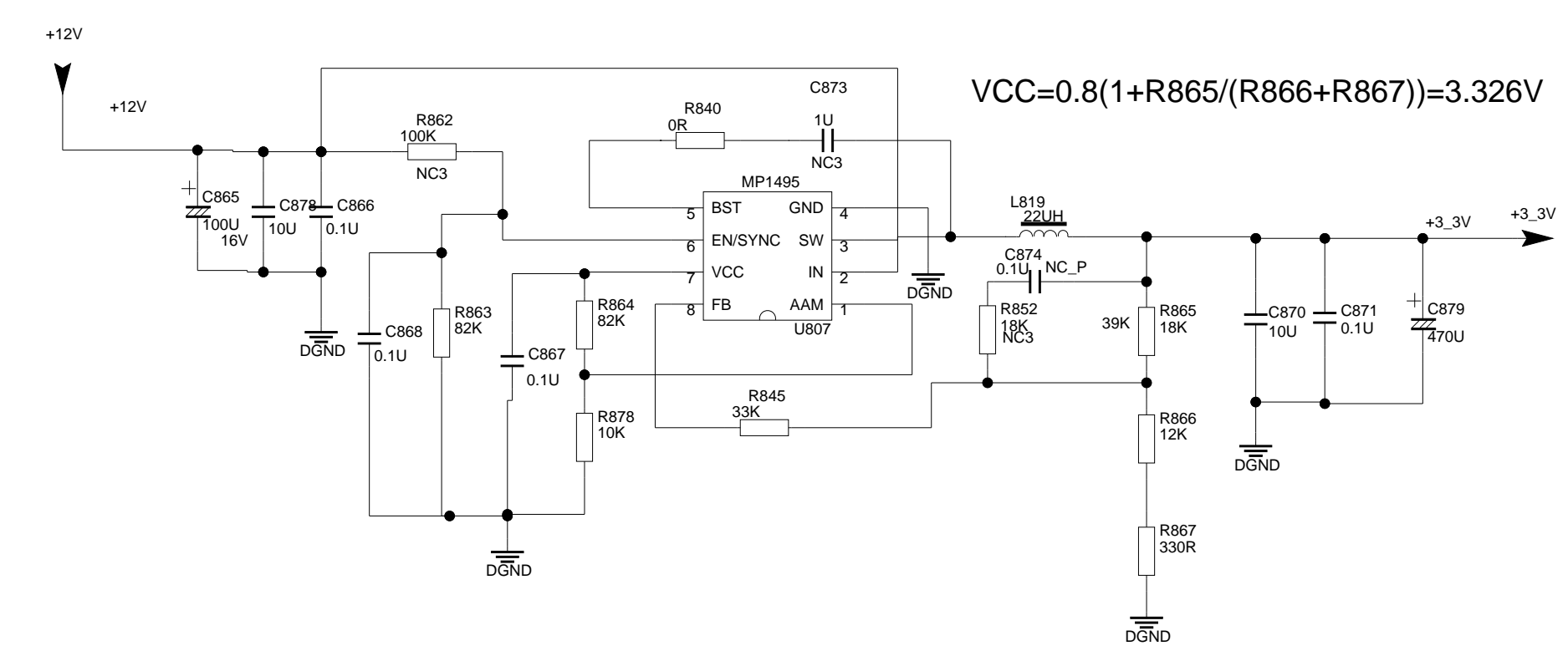
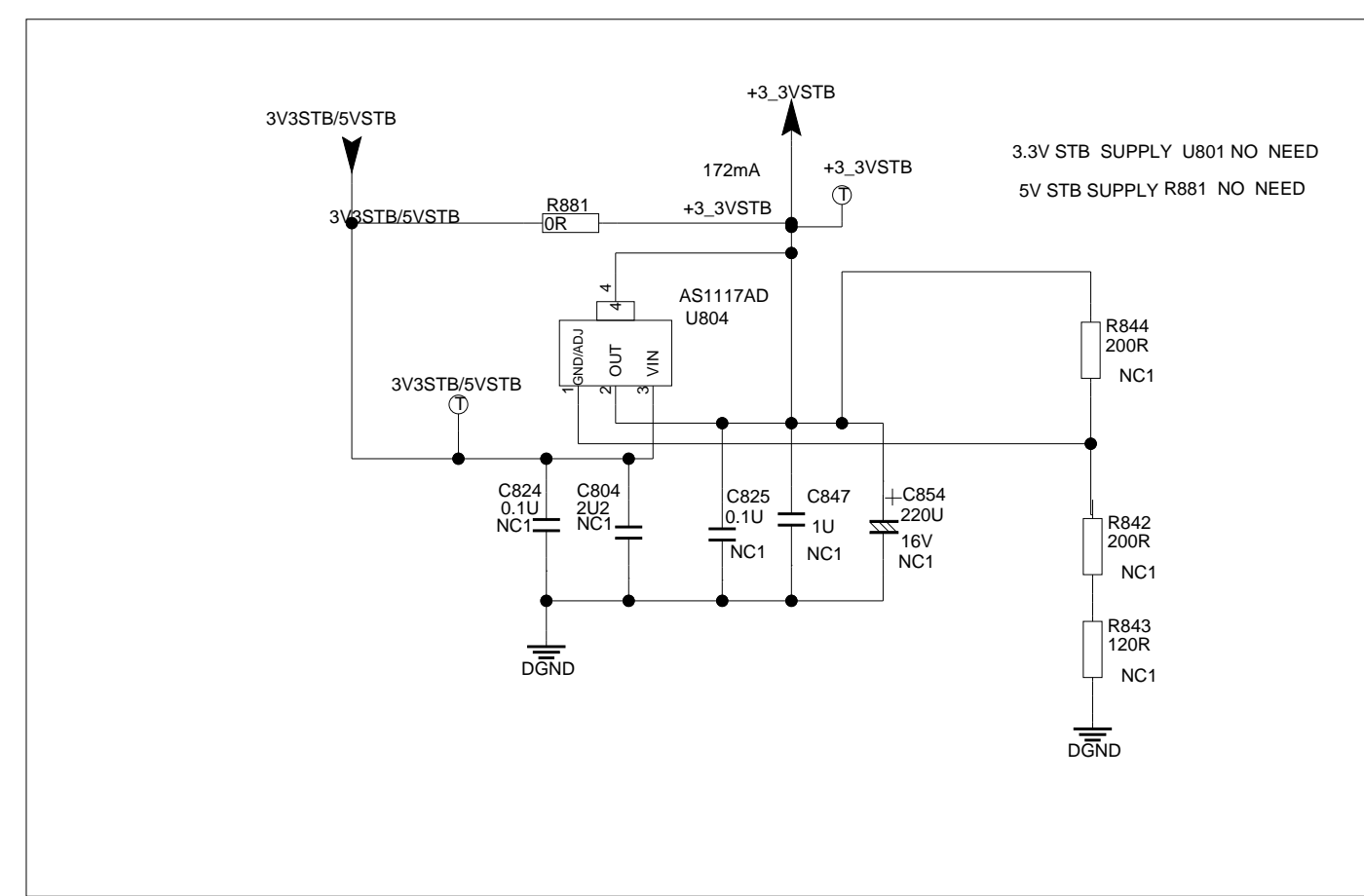
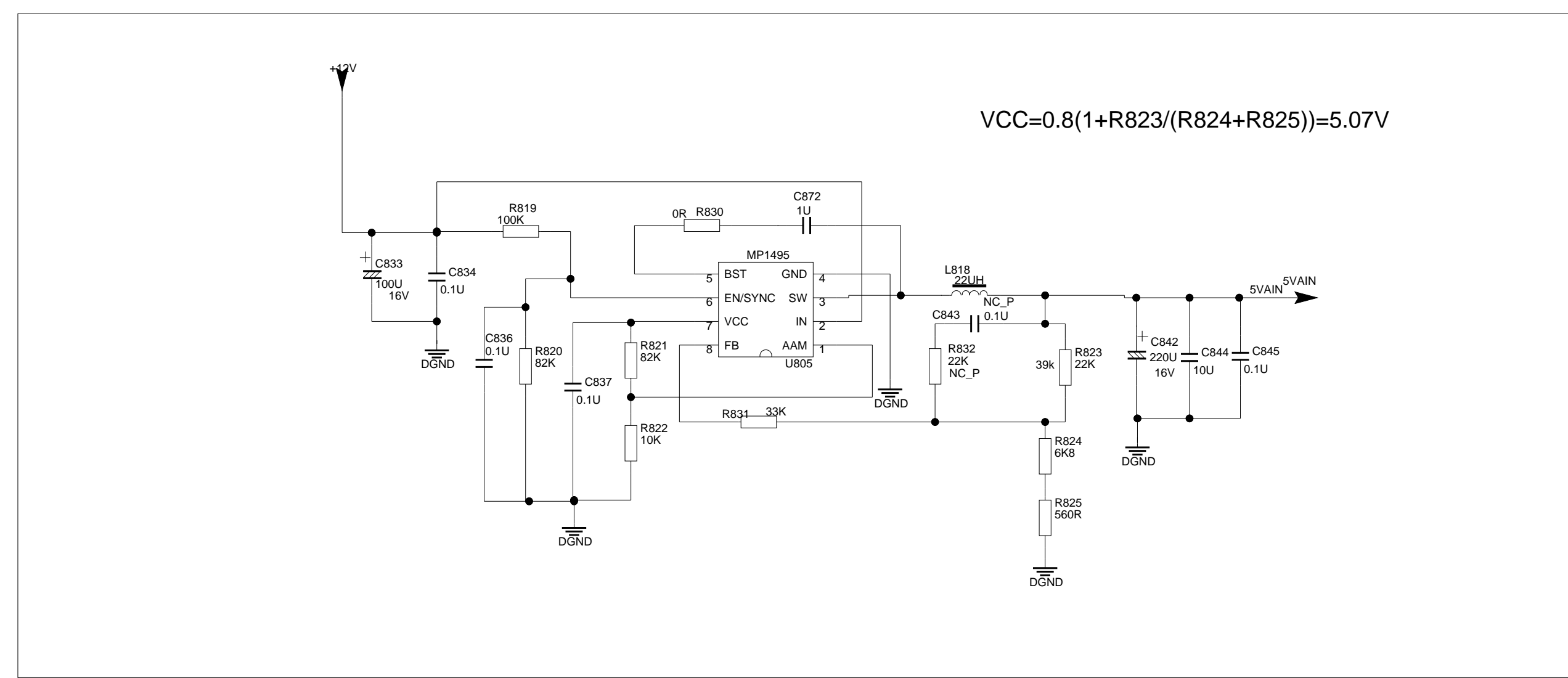
# RESET



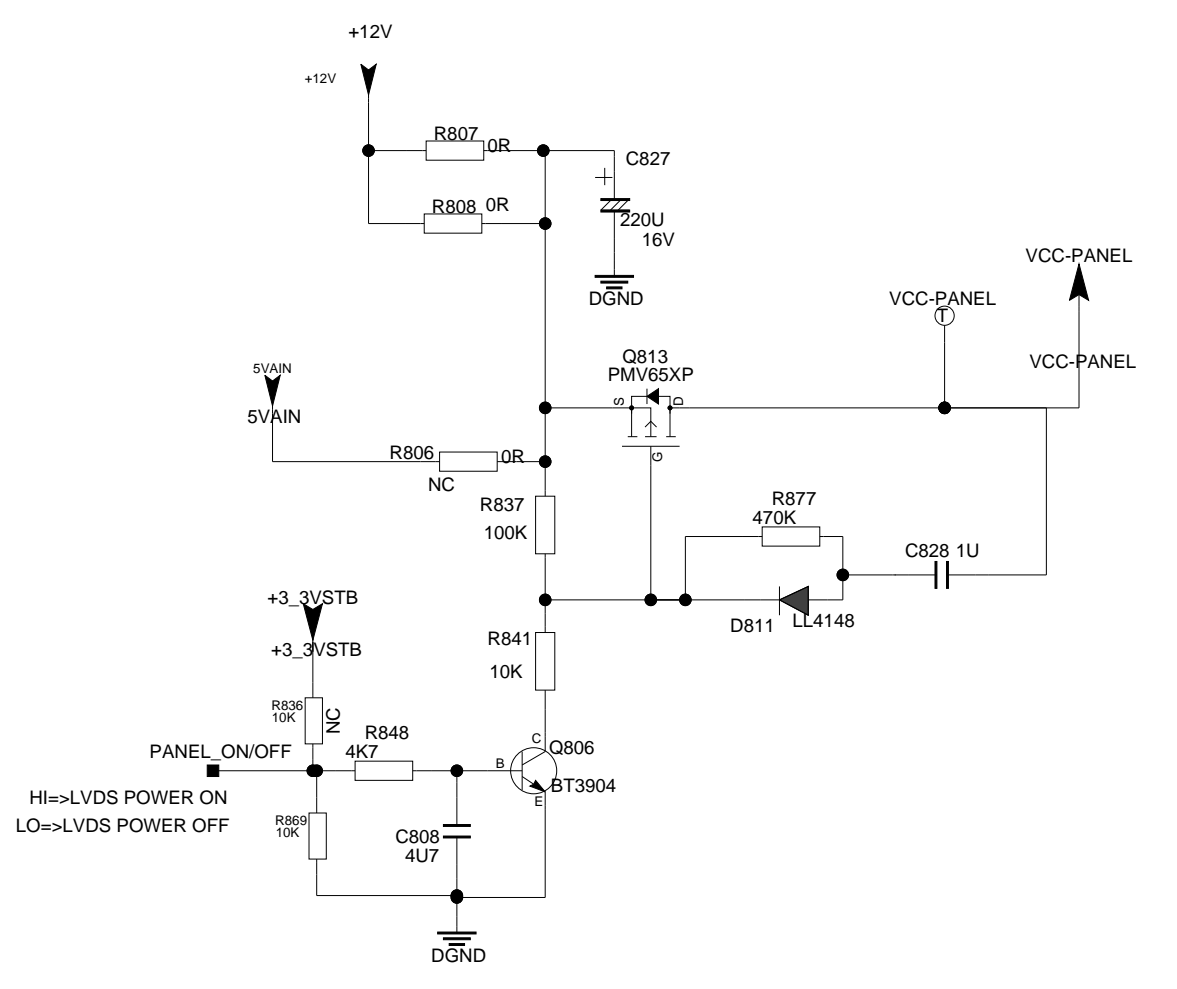
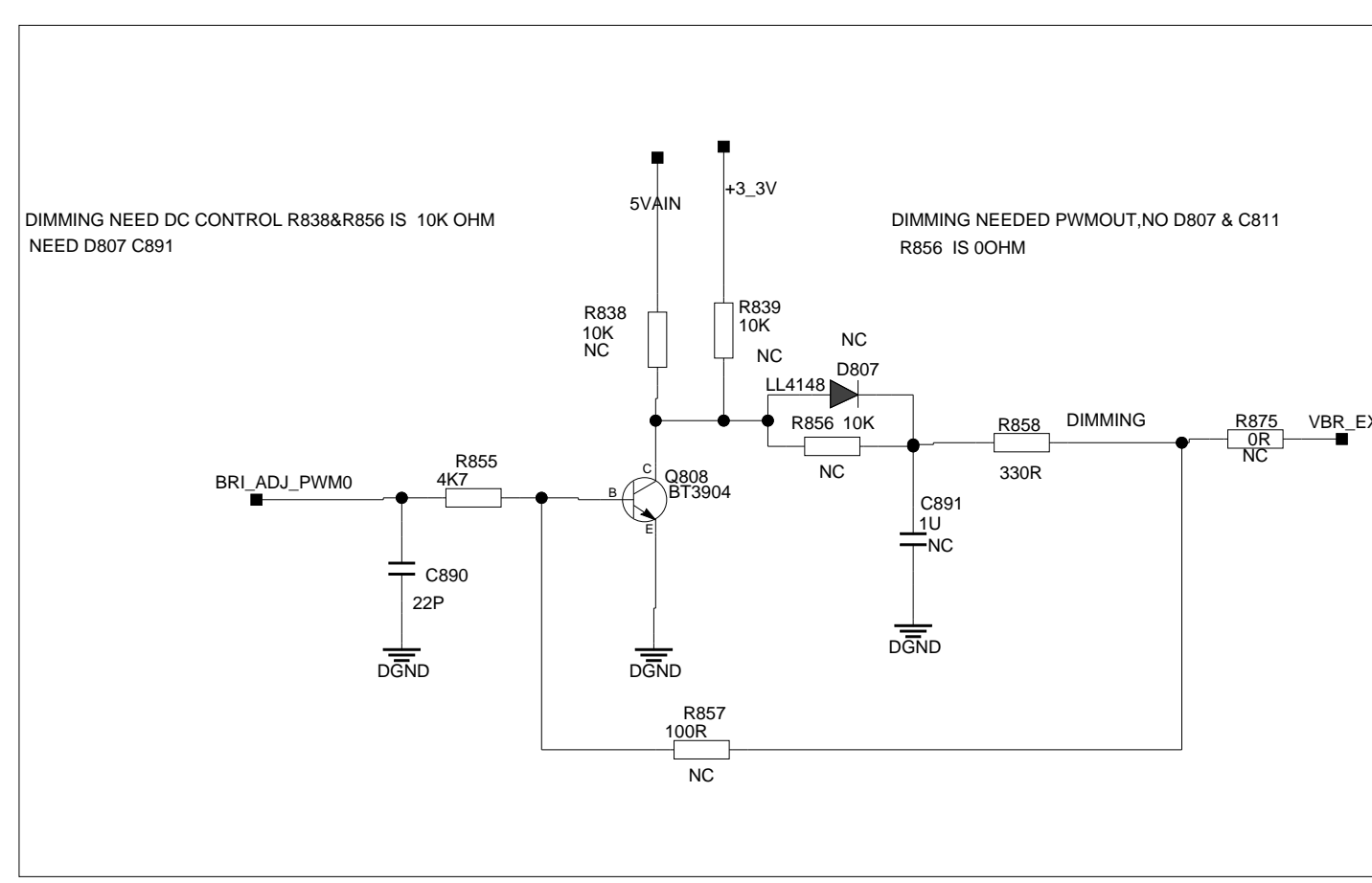
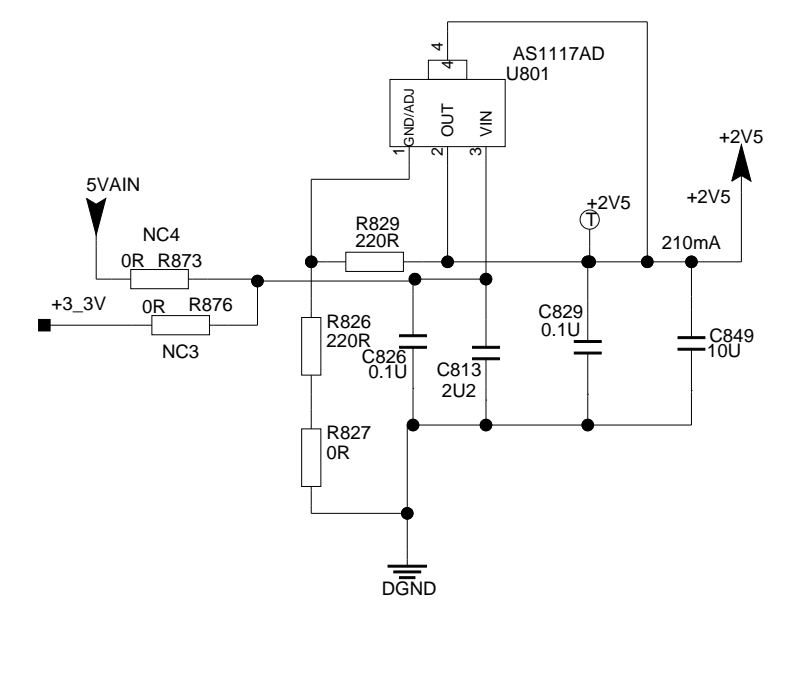
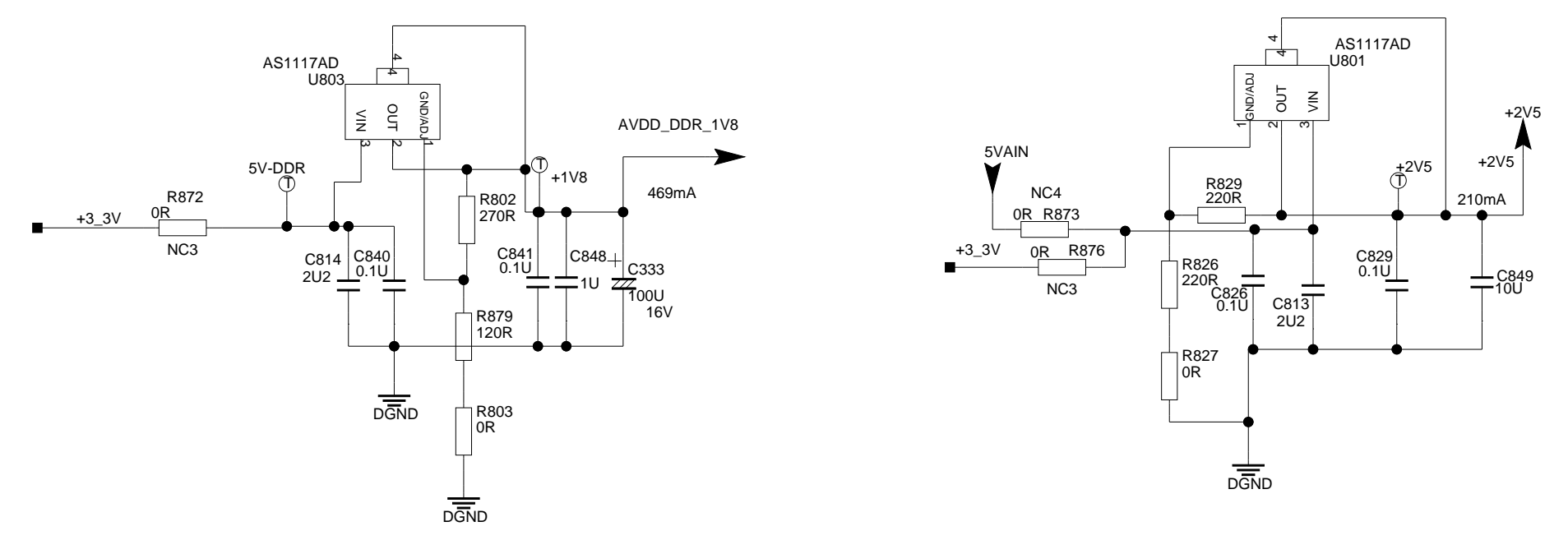
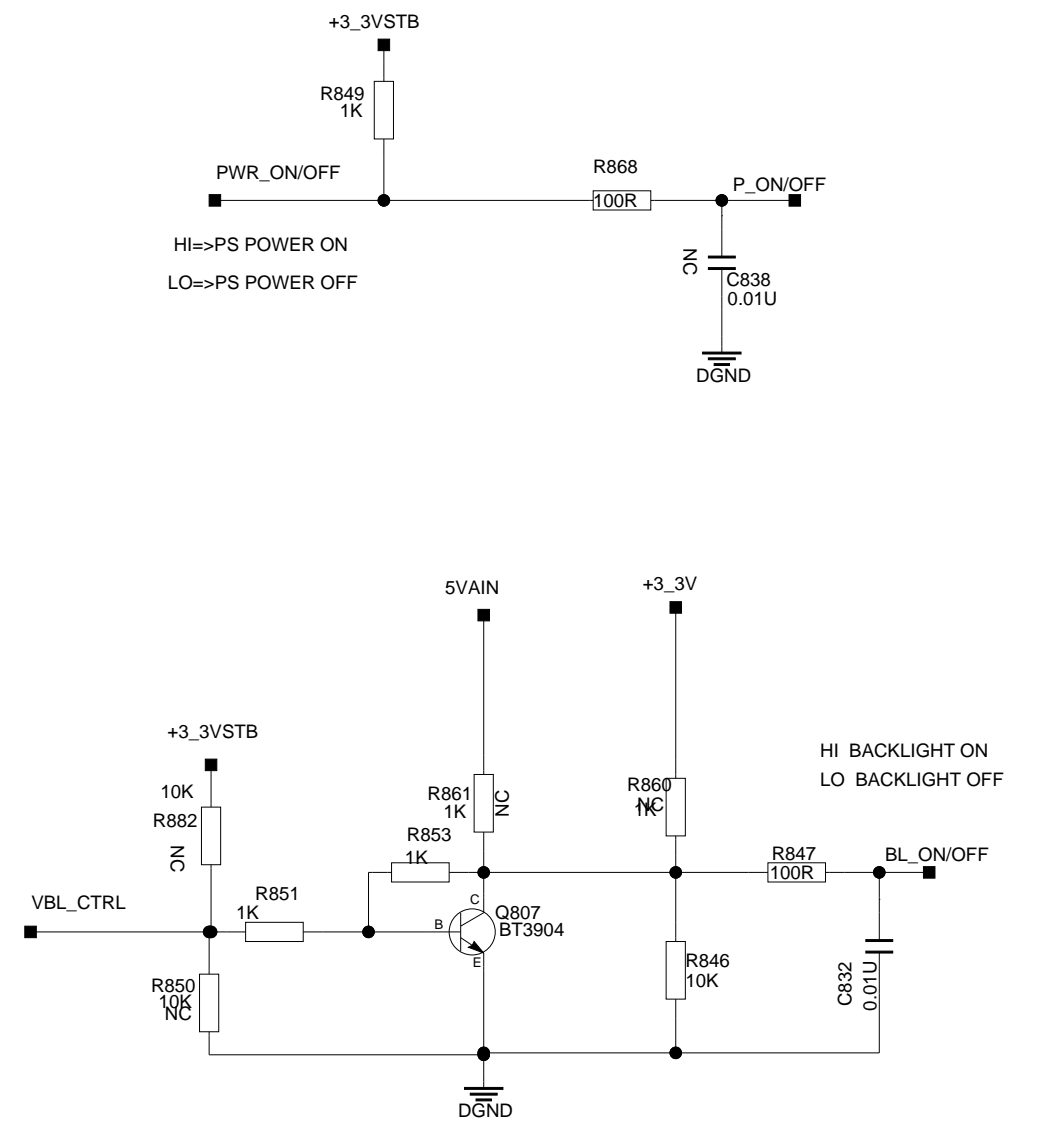




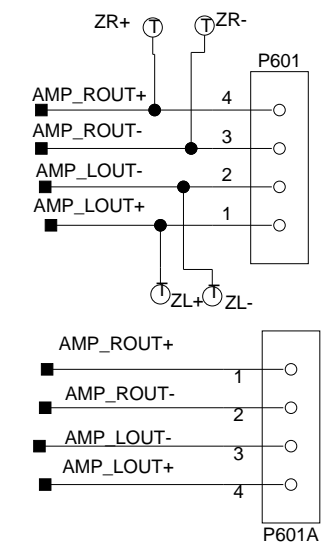
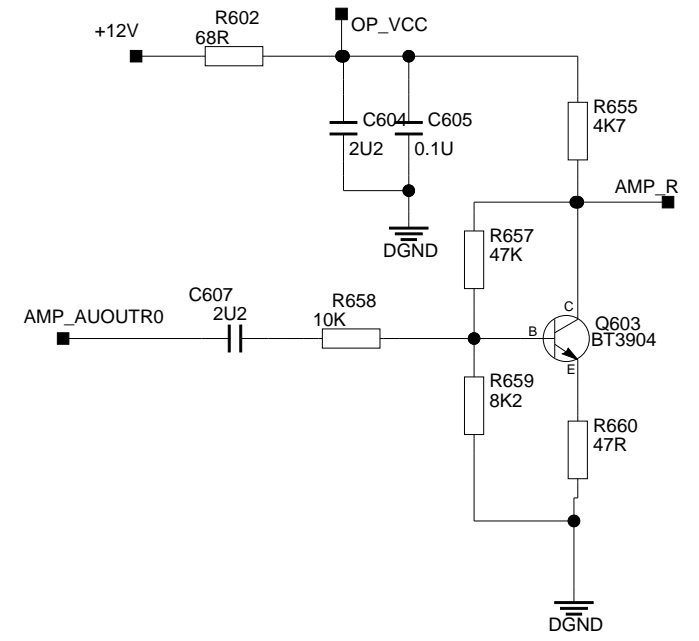
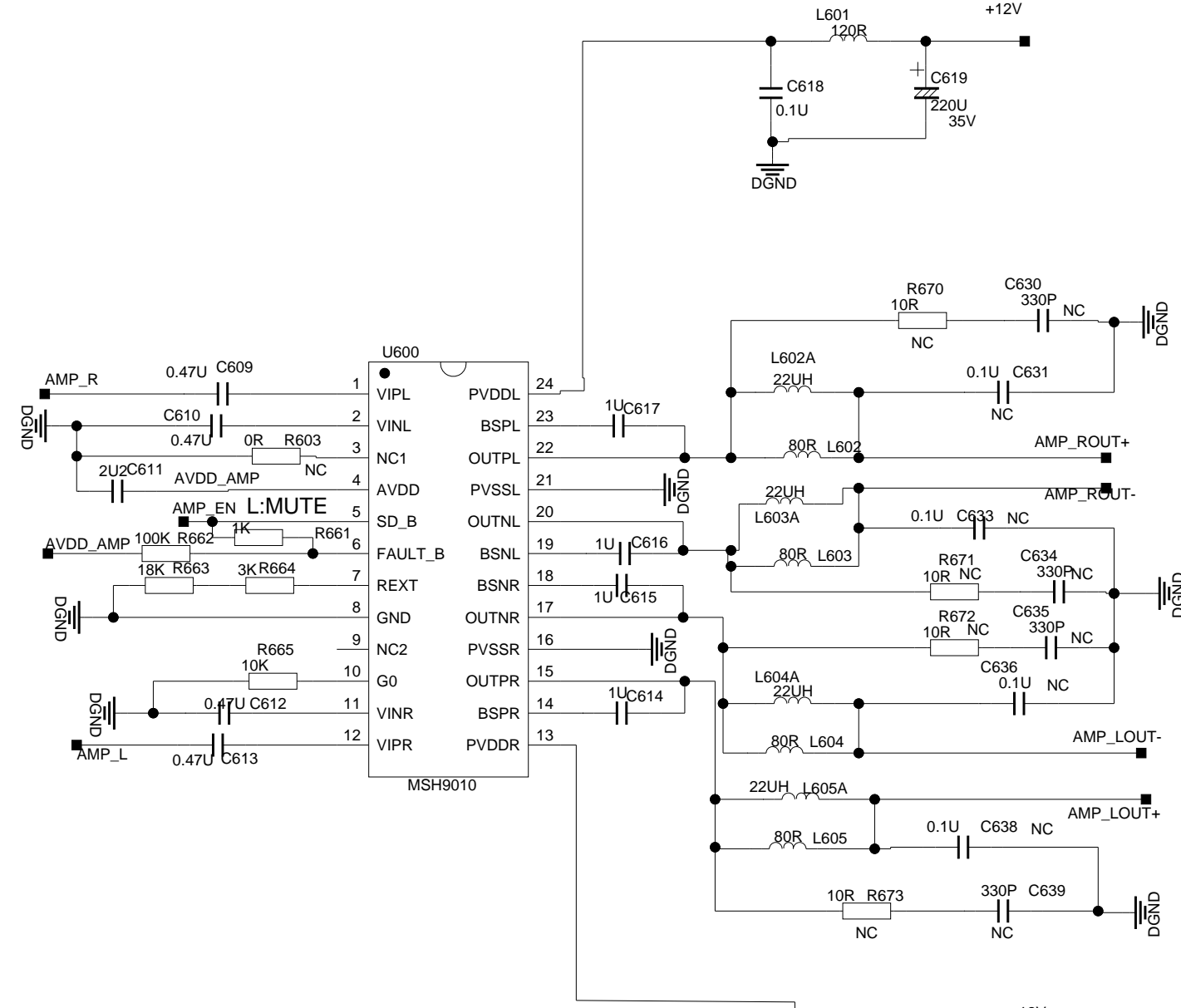
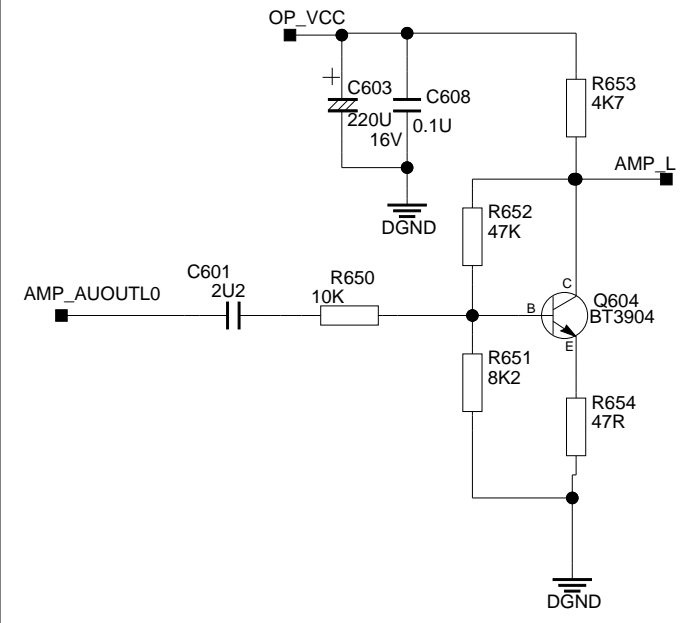
single power need



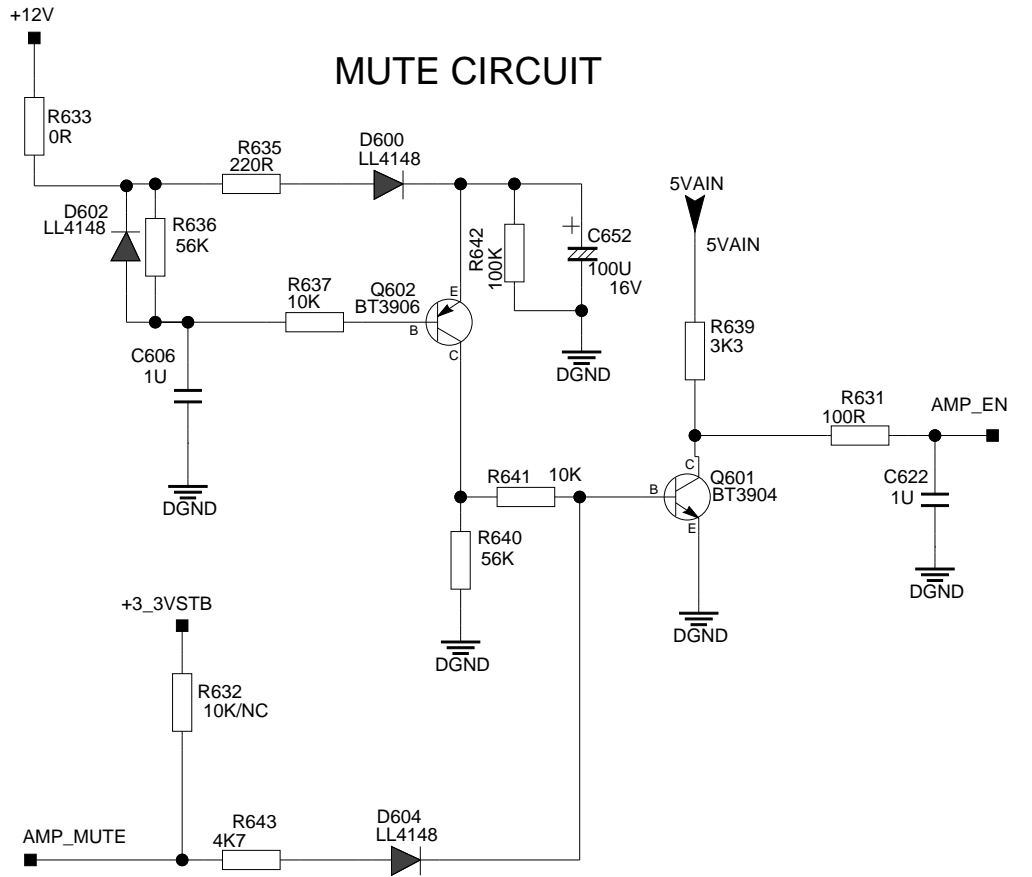
POWER&PANEL CONTROL





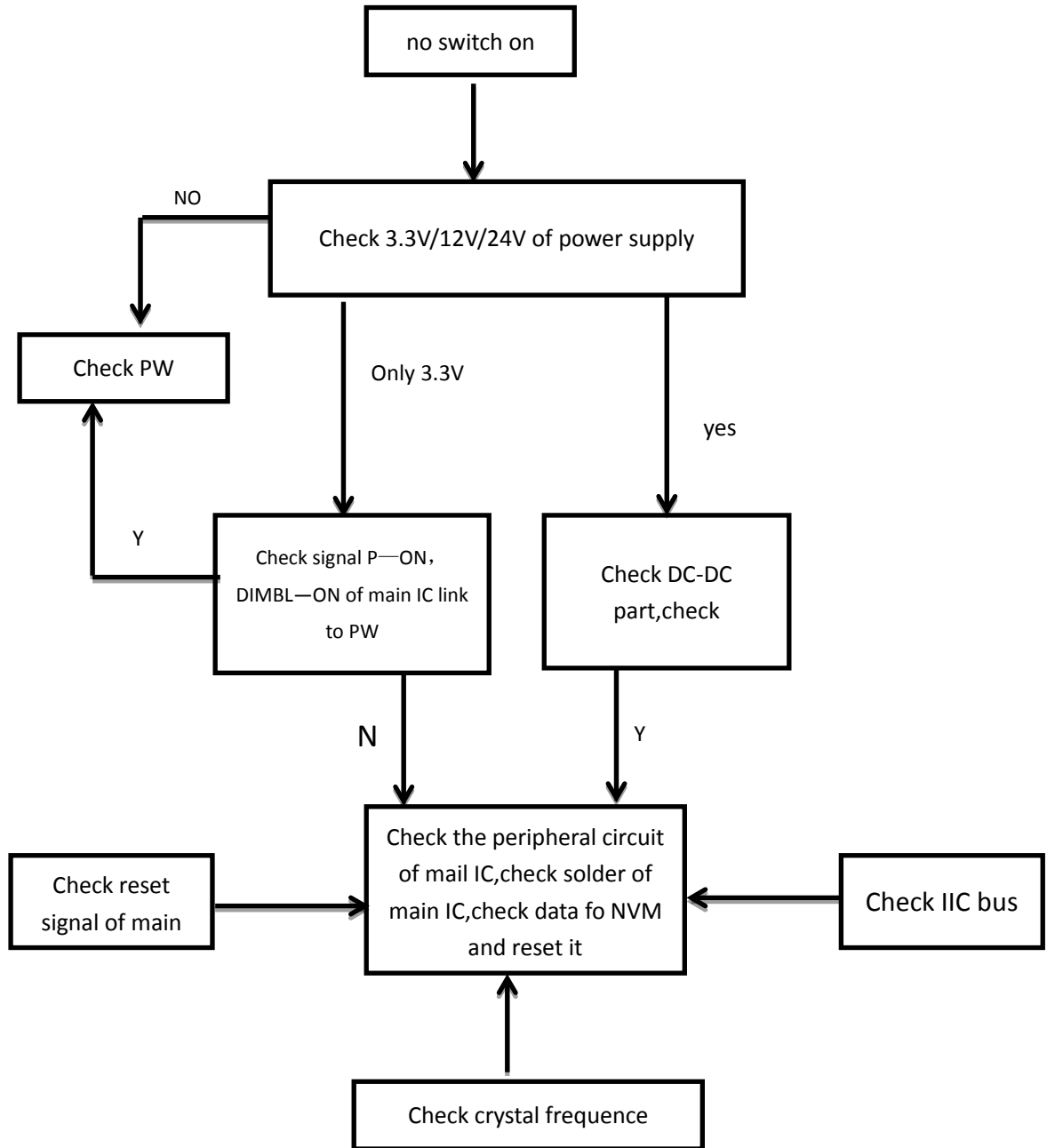


**MUTE CIRCUIT**



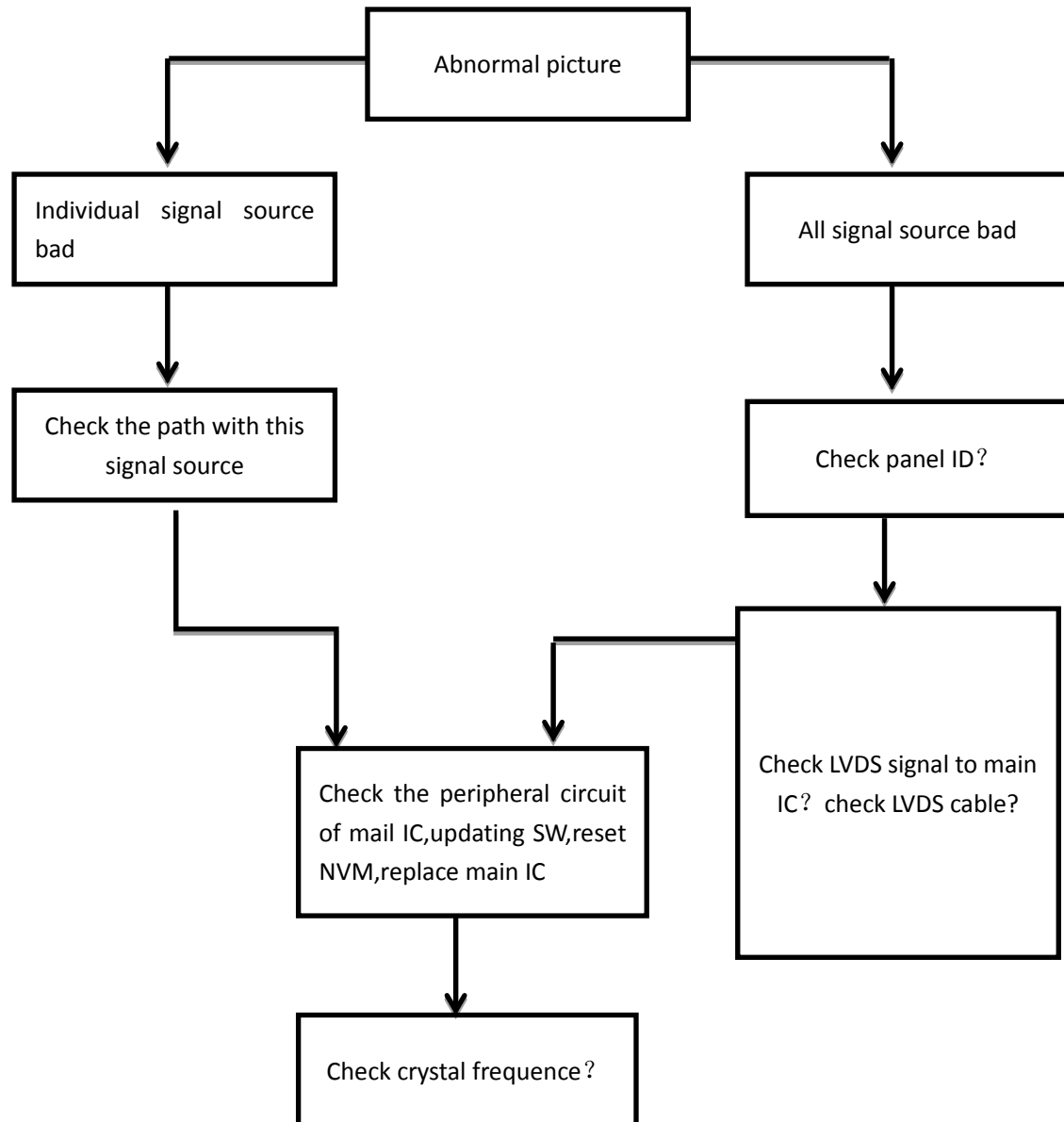
# Trouble shooting

1、 Can not switch on:

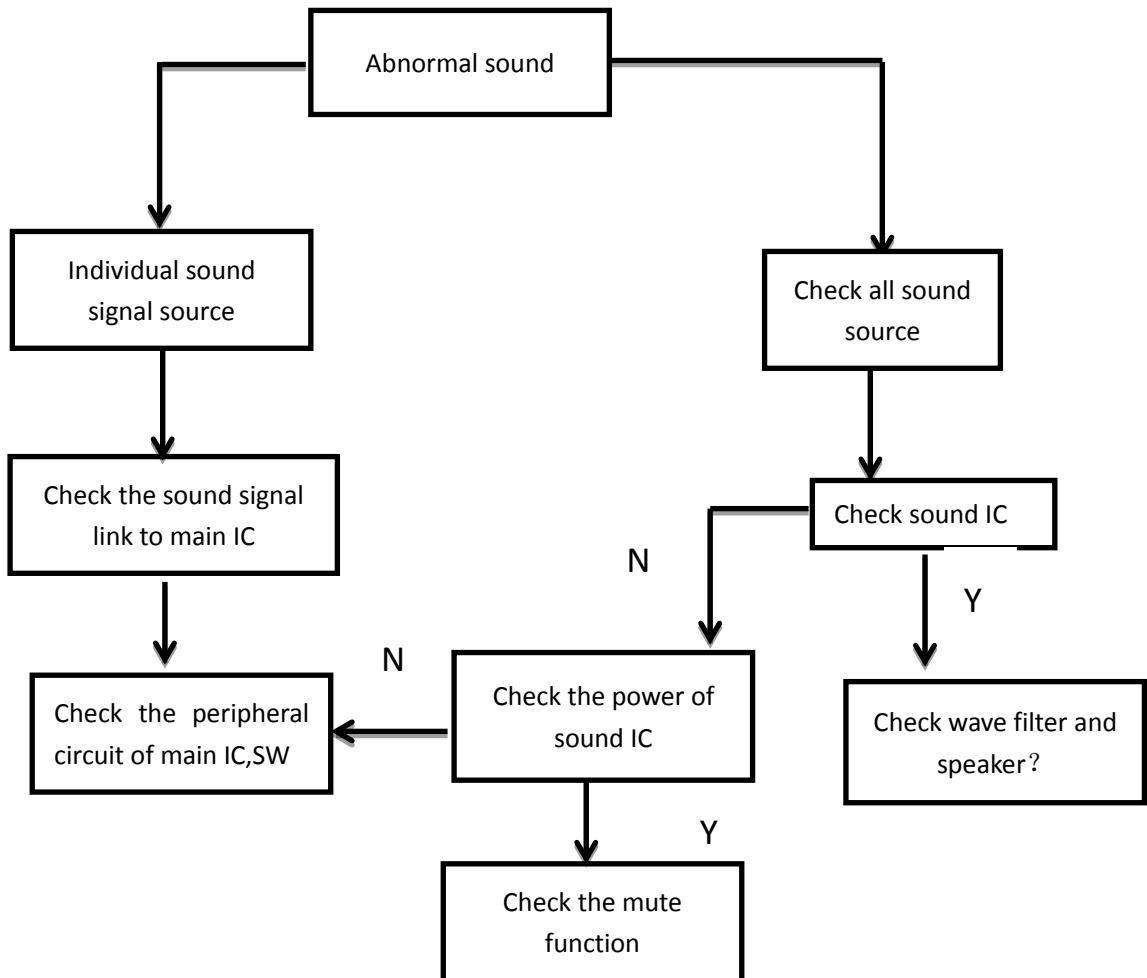


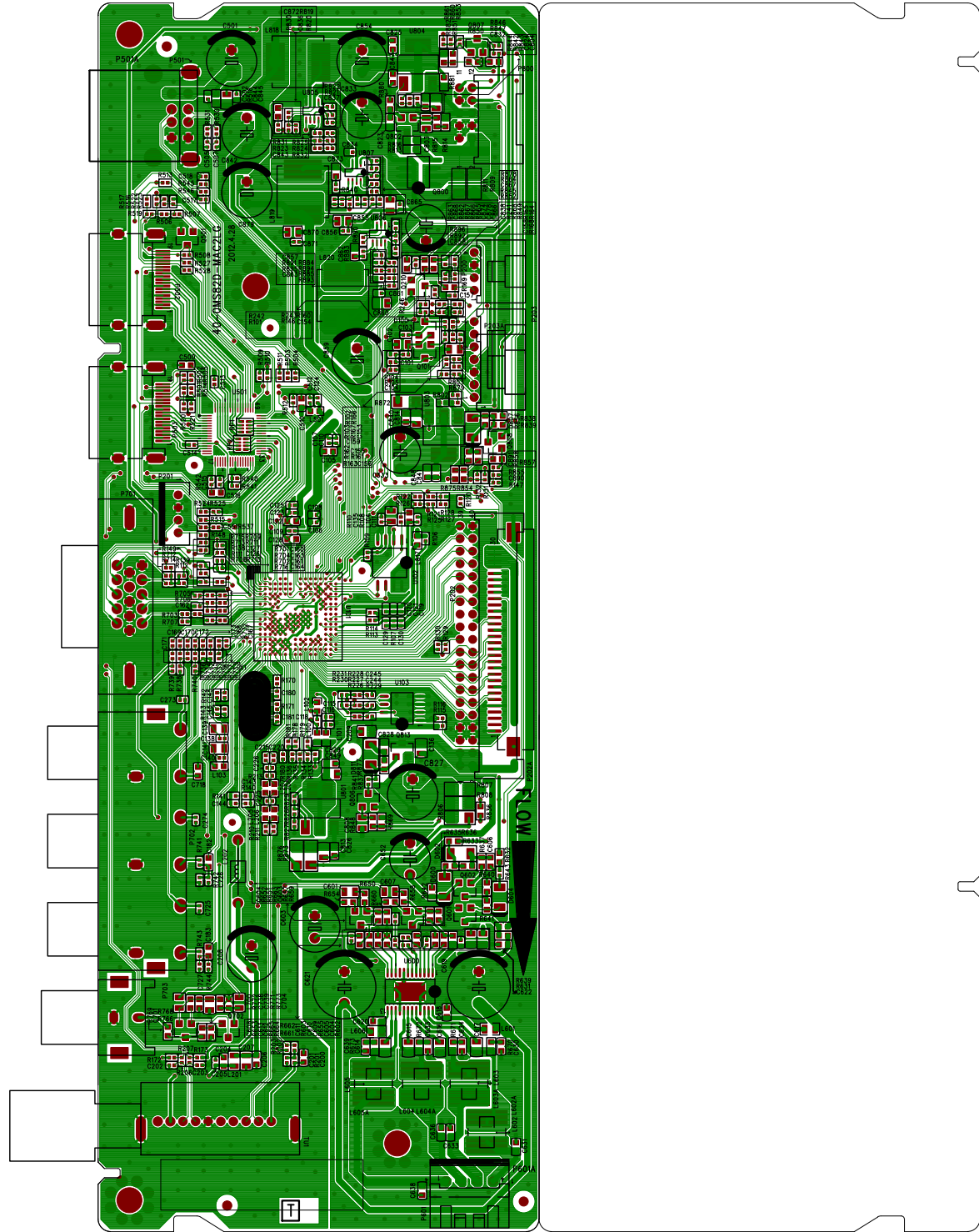
i

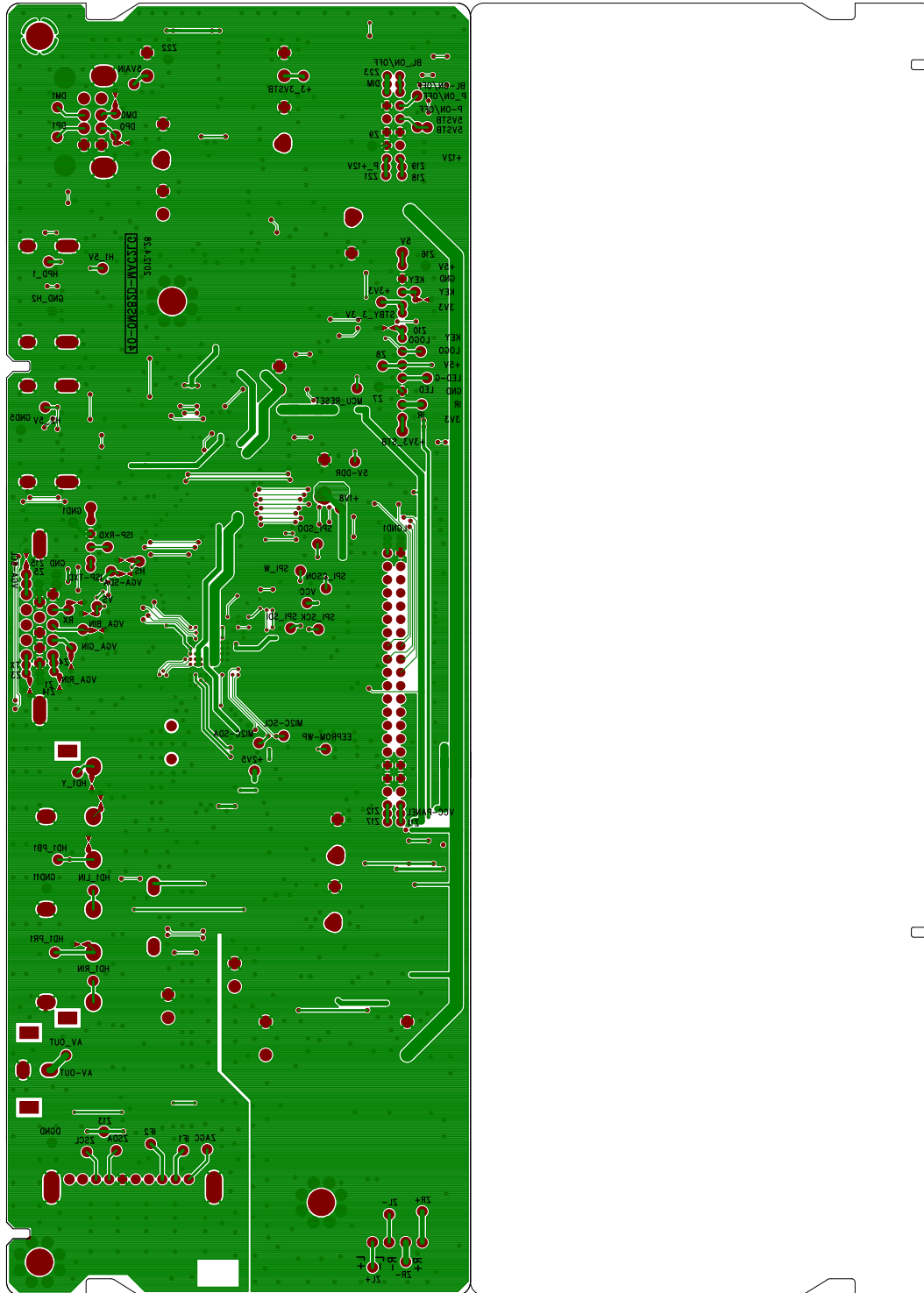
2、 abnormal picture :



3、 Abnormal sound:



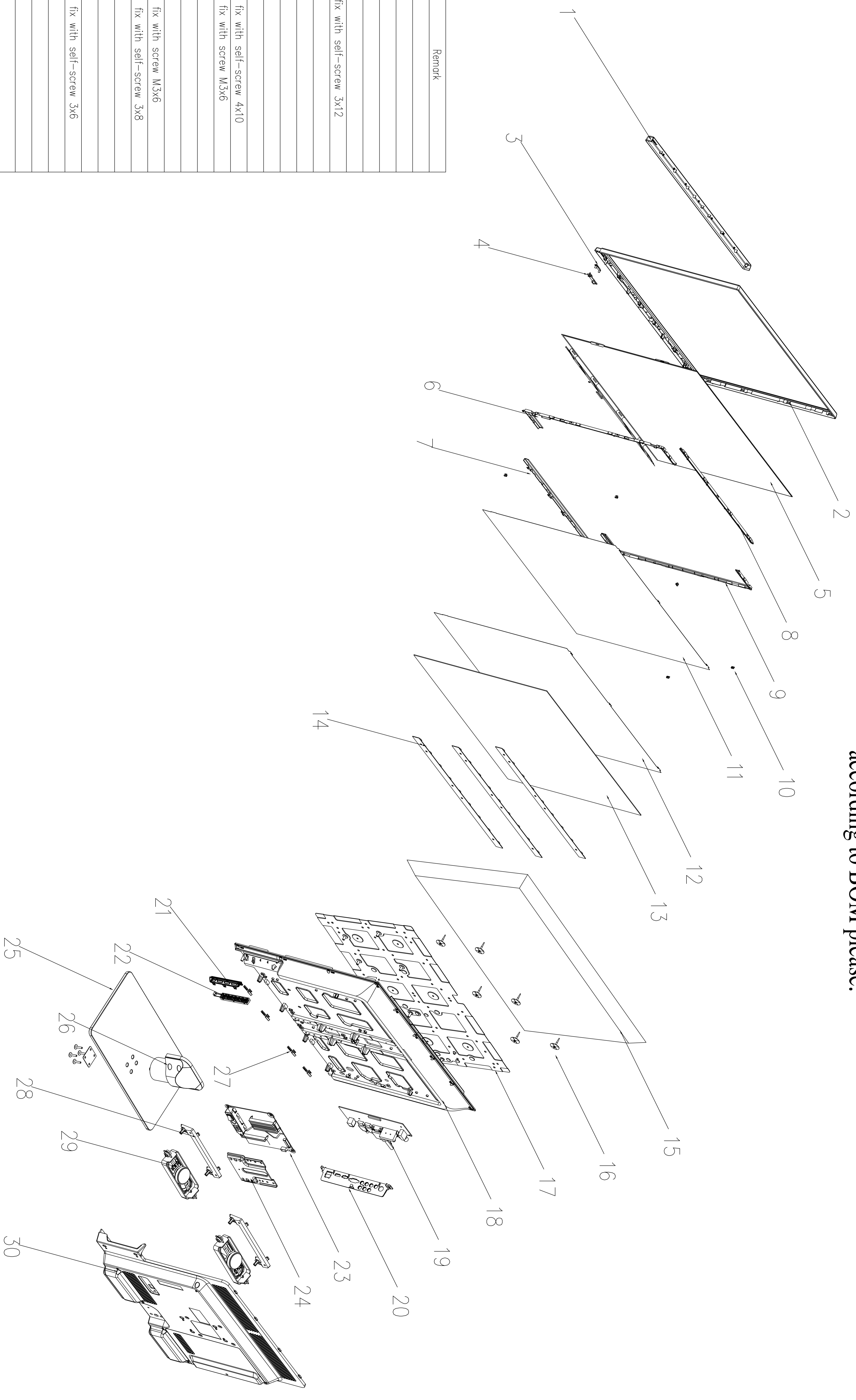




SIZE	QTY	SYM	PLATED	TOL
1	49	+	YES	+/-0.0
0.8	84	×	YES	+/-0.0
0.9	14	□	YES	+/-0.0
0.9 x 2.5	4	◇	YES	+/-0.0
0.9 x 1.5	4	⊗	YES	+/-0.0
0.7	2	⊗	YES	+/-0.0
0.8 x 1.6	1	⊕	YES	+/-0.0
0.8 x 1.4	1	⊕	YES	+/-0.0
1 x 1.7	3	⊕	YES	+/-0.0
1.3 x 1.6	6	⊕	YES	+/-0.0
1.65 x 2.5	2	⊕	YES	+/-0.0
2	4	⊕	YES	+/-0.0
1 x 3.4	2	⊕	YES	+/-0.0
1 x 3.5	2	⊕	YES	+/-0.0
4	4	⊕	NO	+/-0.0
0.3	24	⊕	YES	+/-0.0
0.4064	880	⊕	YES	+/-0.0
0.254	152	⊕	YES	+/-0.0



Notes:  
The explode drawing is only for reference, correcting parts and screws are according to BOM please.



No	Code No	Description : Specification	Qty	Remark
30	55-464720-OKL	小盖板 (Cover)	1	fix with self-screw 3x12
29	42-51316F-XX8G	喇叭 (Speaker)	2	
28	62-725140-OH2G	喇叭支架 (Speaker support)	2	
27	59-946020-000	SOURCE板橡胶卡扣 (Rubber)	4	
26	57-922660-000	底座脖子 (Base neck)	1	
25	68-922890-000	玻璃底座组件 (Base glass)	1	
24	67-725150-030	底座五金支撑 (Base metal support)	1	fix with self-screw 4x10
23	81-PBEC32-PW2	电源 (Power Board)	1	fix with screw M3x6
22	56-725490-OHA	按钮 (Button)	1	
21	56-725500-OHA	按钮支架 (Button Support)	1	
20	56-464730-OKL	侧AV支架 (Side AV support)	1	
19	T8-32AP7V-MA8	M82D机芯 (MS82D chassis)	1	fix with screw M3x6
18	55-464710-OKL	大后壳 (Rear Cover)	1	fix with self-screw 3x8
17	67-725170-4G0	散热五金板 (heatsink metal)	1	
16	62-725470-0UK	背光源支撑架 (Blu support)	6	
15	4C-RF3201-TX2	反射片 (reflect film)	1	
14	4C-LB3201-YH1	灯条 (light Bar)	3	fix with self-screw 3x6
13	4C-DP3201-TX2	扩散板 (DF Board)	1	
12	4C-PF3201-SH5	增光片 90° (Ref 90°)	1	
11	4C-PF3201-JF6	增光片8° (Ref 8°)	1	
10	67-M93409-OE0	弹簧片 (spring nip)	5	
9	62-725200-3UF	胶框右 (frame right)	1	
8	62-725210-3UF	胶框左 (frame up)	1	
7	62-725220-3UF	胶框下 (frame down)	1	
6	62-725190-3UF	胶框左 (frame left)	1	
5	ST3151A04-1	OPENCELL	1	
4	T8-32C727V-JR1	遥控器CB (Remote PCB)	1	
3	56-725510-OHC	透镜 (Lens)	1	
2	55-464690-OHX	前壳 (Front Cabinet)	1	
1	56-959000-OHQ	前壳装饰条 (Front DEC)	1	

REV (由低到高)		修改人	修改日期	修改内容	审核人	审核日期
1	01	XXX	2017-8-17	Initial	XXX	2017-8-17
<b>TCL</b> Mechanical development						



H7-HB331N7V-EGO

LED32B3310/MS82D-AP/CS1/TT E3 V3

parent	child	description	BOM text
H7-HB331N7V-EGO	T6-520W37-BAJOX	REMOTE FOR JAC	
T6-520W37-BAJOX	06-520W37-B000X	RCT OR BLACK 3.0V 300MA 3UA 0	
H7-HB331N7V-EGO	81-PBE032-PW2	PSU 54W SHG3203A-101H	
H7-HB331N7V-EGO	T8-32AP7V-MA8	ASS'Y - MAIN BD	
T8-32AP7V-MA8	09-00SR34-STX	D-BR,SMD 40V 3A 0.5V D0-214AA SR34	D806
T8-32AP7V-MA8	09-0BAV99-ATX	D,SMD 70.0V 200MIO A 855MIOV 4N 0.25W S0	D100
T8-32AP7V-MA8	09-LL4148-ATX	SMD. SWITCHING DIODE LL4148	D811
T8-32AP7V-MA8	09-LL4148-ATX	SMD. SWITCHING DIODE LL4148	D604
T8-32AP7V-MA8	09-LL4148-ATX	SMD. SWITCHING DIODE LL4148	D602
T8-32AP7V-MA8	09-LL4148-ATX	SMD. SWITCHING DIODE LL4148	D600
T8-32AP7V-MA8	12-BT3904-OBX	TR-SMD NPN 40VV 200MA A 300HZ 0.25W SOT2	Q808
T8-32AP7V-MA8	12-BT3904-OBX	TR-SMD NPN 40VV 200MA A 300HZ 0.25W SOT2	Q702
T8-32AP7V-MA8	12-BT3904-OBX	TR-SMD NPN 40VV 200MA A 300HZ 0.25W SOT2	Q604
T8-32AP7V-MA8	12-BT3904-OBX	TR-SMD NPN 40VV 200MA A 300HZ 0.25W SOT2	Q601
T8-32AP7V-MA8	12-BT3904-OBX	TR-SMD NPN 40VV 200MA A 300HZ 0.25W SOT2	Q501
T8-32AP7V-MA8	12-BT3904-OBX	TR-SMD NPN 40VV 200MA A 300HZ 0.25W SOT2	Q603
T8-32AP7V-MA8	12-BT3904-OBX	TR-SMD NPN 40VV 200MA A 300HZ 0.25W SOT2	Q806
T8-32AP7V-MA8	12-BT3906-OBX	TR-SMD PNP 40V 200MIO A 250MHZ 225MIOV S	Q701
T8-32AP7V-MA8	12-BT3906-OBX	TR-SMD PNP 40V 200MIO A 250MHZ 225MIOV S	Q602
T8-32AP7V-MA8	12-BT3906-OBX	TR-SMD PNP 40V 200MIO A 250MHZ 225MIOV S	Q101
T8-32AP7V-MA8	12-C124ET-OBX	TR-SMD NPN 50VV 100MA A 80HZ 0.25W SOT23	Q210
T8-32AP7V-MA8	12-MV65XP-OBX	MOSFET-SMD P 20V 3.9A 1.92W SOT23 PMV65X	Q813
T8-32AP7V-MA8	13-AP2111-25B	IC LDO AP2111-2.5	U801
T8-32AP7V-MA8	13-AS1117-18B	ICSOT-223 AS1117-18CX	U803
T8-32AP7V-MA8	13-DC1582-ENB33	IC DC-DC STEP-DOWN CONVERTER MP1582	U800
T8-32AP7V-MA8	13-MP1494-DJB	IC DC-DC CONTROL MP1494DJ	U806
T8-32AP7V-MA8	13-MP1494-DJB	IC DC-DC CONTROL MP1494DJ	U805
T8-32AP7V-MA8	13-MP1494-DJB	IC DC-DC CONTROL MP1494DJ	U807
T8-32AP7V-MA8	13-MST6M1-82BVG	IC A SINGLE CHIP SUPORT MULTIMEDIA TV SO	U101
T8-32AP7V-MA8	13-SH9010-LFB	IC CLASS D MSH9010-LF	U600
T8-32AP7V-MA8	19-AB0000-FTX	SMD.RES 0 OHM 1/10W +/-1% 0603	R518
T8-32AP7V-MA8	19-AB0000-JTX	RES SMD 0 OHM 1/10W +/-5% 0603	R856
T8-32AP7V-MA8	19-AB0000-JTX	RES SMD 0 OHM 1/10W +/-5% 0603	R169
T8-32AP7V-MA8	19-AB0000-JTX	RES SMD 0 OHM 1/10W +/-5% 0603	R858
T8-32AP7V-MA8	19-AB0000-JTX	RES SMD 0 OHM 1/10W +/-5% 0603	R854
T8-32AP7V-MA8	19-AB0000-JTX	RES SMD 0 OHM 1/10W +/-5% 0603	R633
T8-32AP7V-MA8	19-AB0100-JTX	RES SMD 10 OHM 1/10W +/-5%	R670
T8-32AP7V-MA8	19-AB0100-JTX	RES SMD 10 OHM 1/10W +/-5%	R671
T8-32AP7V-MA8	19-AB0100-JTX	RES SMD 10 OHM 1/10W +/-5%	R672
T8-32AP7V-MA8	19-AB0100-JTX	RES SMD 10 OHM 1/10W +/-5%	R673
T8-32AP7V-MA8	19-AB0101-JTX	RES SMD 100 OHM 1/10W 0603	R868
T8-32AP7V-MA8	19-AB0101-JTX	RES SMD 100 OHM 1/10W 0603	R631
T8-32AP7V-MA8	19-AB0102-JTX	RES SMD 1K OHM 1/10W 0603	R772
T8-32AP7V-MA8	19-AB0102-JTX	RES SMD 1K OHM 1/10W 0603	R849
T8-32AP7V-MA8	19-AB0102-JTX	RES SMD 1K OHM 1/10W 0603	R851
T8-32AP7V-MA8	19-AB0103-JTX	RES SMD 10K OHM 1/10W 0603	R641
T8-32AP7V-MA8	19-AB0103-JTX	RES SMD 10K OHM 1/10W 0603	R665
T8-32AP7V-MA8	19-AB0103-JTX	RES SMD 10K OHM 1/10W 0603	R632
T8-32AP7V-MA8	19-AB0103-JTX	RES SMD 10K OHM 1/10W 0603	R637
T8-32AP7V-MA8	19-AB0103-JTX	RES SMD 10K OHM 1/10W 0603	R658
T8-32AP7V-MA8	19-AB0103-JTX	RES SMD 10K OHM 1/10W 0603	R650

T8-32AP7V-MA8	19-AB0103-JTX	RES SMD 10K OHM 1/10W 0603	R838
T8-32AP7V-MA8	19-AB0104-JTX	SMD. RES 100K OHM 1/10W 0603	R833
T8-32AP7V-MA8	19-AB0104-JTX	SMD. RES 100K OHM 1/10W 0603	R642
T8-32AP7V-MA8	19-AB0151-JTX	R-SMD 150R00HM 5% 1/10W 0603 -	R766
T8-32AP7V-MA8	19-AB0151-JTX	R-SMD 150R00HM 5% 1/10W 0603 -	R768
T8-32AP7V-MA8	19-AB0153-JTX	R-SMD 15KOHM +/-5% 1/10W 0603 -	R812
T8-32AP7V-MA8	19-AB0221-JTX	RES SMD 220 OHM 1/10W 0603	R635
T8-32AP7V-MA8	19-AB0224-JTX	SMD RES 220K OHM 1/10W 0603	R810
T8-32AP7V-MA8	19-AB0332-JTX	SMD RES 3.3K OHM 1/10W 0603	R639
T8-32AP7V-MA8	19-AB0333-FTX	SMD. RES 33K OHM 1/10W +/-1% 0603	R818
T8-32AP7V-MA8	19-AB0333-JTX	RES. SMD 33K OHM 1/10W 0603	R773
T8-32AP7V-MA8	19-AB0470-JTX	RES SMD 47 OHM 1/10W +/-5%0603	R660
T8-32AP7V-MA8	19-AB0470-JTX	RES SMD 47 OHM 1/10W +/-5%0603	R654
T8-32AP7V-MA8	19-AB0472-JTX	RES SMD 4.7K OHM 1/10W 0603	R653
T8-32AP7V-MA8	19-AB0472-JTX	RES SMD 4.7K OHM 1/10W 0603	R848
T8-32AP7V-MA8	19-AB0472-JTX	RES SMD 4.7K OHM 1/10W 0603	R655
T8-32AP7V-MA8	19-AB0473-JTX	SMD. RES 47K OHM 1/10W 0603	R652
T8-32AP7V-MA8	19-AB0473-JTX	SMD. RES 47K OHM 1/10W 0603	R657
T8-32AP7V-MA8	19-AB0474-JTX	RES.SMD. 1/10W 0.47MOHM +/-5%	R877
T8-32AP7V-MA8	19-AB0474-JTX	RES.SMD. 1/10W 0.47MOHM +/-5%	R817
T8-32AP7V-MA8	19-AB0563-JTX	SMD. RES 56K OHM 1/10W +/-5%	R636
T8-32AP7V-MA8	19-AB0563-JTX	SMD. RES 56K OHM 1/10W +/-5%	R640
T8-32AP7V-MA8	19-AB0683-JTX	RES SMD 68K OHM 1/10W 0603	R771
T8-32AP7V-MA8	19-AB0750-JTX	SMD. RES 75 OHM 1/10W 0603	R769
T8-32AP7V-MA8	19-AB0822-JTX	R-SMD 8K20HM 5% 1/10W 0603 -	R659
T8-32AP7V-MA8	19-AB0822-JTX	R-SMD 8K20HM 5% 1/10W 0603 -	R651
T8-32AP7V-MA8	19-BC0680-JTX	SMD.RES 68 OHM 1/8W +/-5%	R602
T8-32AP7V-MA8	19-CD0000-JTX	RES.SMD 0 OHM 1206	R872
T8-32AP7V-MA8	19-CD0000-JTX	RES.SMD 0 OHM 1206	R807
T8-32AP7V-MA8	19-GA0000-JTX	SMD. RES 0 OHM 1/16W +/-5%	R879
T8-32AP7V-MA8	19-GA0000-JTX	SMD. RES 0 OHM 1/16W +/-5%	R840
T8-32AP7V-MA8	19-GA0000-JTX	SMD. RES 0 OHM 1/16W +/-5%	R603
T8-32AP7V-MA8	19-GA0000-JTX	SMD. RES 0 OHM 1/16W +/-5%	R714
T8-32AP7V-MA8	19-GA0000-JTX	SMD. RES 0 OHM 1/16W +/-5%	R715
T8-32AP7V-MA8	19-GA0000-JTX	SMD. RES 0 OHM 1/16W +/-5%	R537
T8-32AP7V-MA8	19-GA0000-JTX	SMD. RES 0 OHM 1/16W +/-5%	R130
T8-32AP7V-MA8	19-GA0000-JTX	SMD. RES 0 OHM 1/16W +/-5%	R126
T8-32AP7V-MA8	19-GA0000-JTX	SMD. RES 0 OHM 1/16W +/-5%	R101
T8-32AP7V-MA8	19-GA0000-JTX	SMD. RES 0 OHM 1/16W +/-5%	R164
T8-32AP7V-MA8	19-GA0000-JTX	SMD. RES 0 OHM 1/16W +/-5%	R830
T8-32AP7V-MA8	19-GA0000-JTX	SMD. RES 0 OHM 1/16W +/-5%	R163
T8-32AP7V-MA8	19-GA0000-JTX	SMD. RES 0 OHM 1/16W +/-5%	R170
T8-32AP7V-MA8	19-GA0000-JTX	SMD. RES 0 OHM 1/16W +/-5%	R834
T8-32AP7V-MA8	19-GA0000-JTX	SMD. RES 0 OHM 1/16W +/-5%	R803
T8-32AP7V-MA8	19-GA0000-JTX	SMD. RES 0 OHM 1/16W +/-5%	R883
T8-32AP7V-MA8	19-GA0000-JTX	SMD. RES 0 OHM 1/16W +/-5%	R827
T8-32AP7V-MA8	19-GA0000-JTX	SMD. RES 0 OHM 1/16W +/-5%	R826
T8-32AP7V-MA8	19-GA0100-JTX	SMD. RES 10 OHM 1/16W +/-5%	R166
T8-32AP7V-MA8	19-GA0101-JTX	SMD. RES 100 OHM 1/16W +/-5%	R211
T8-32AP7V-MA8	19-GA0101-JTX	SMD. RES 100 OHM 1/16W +/-5%	R210
T8-32AP7V-MA8	19-GA0101-JTX	SMD. RES 100 OHM 1/16W +/-5%	R710
T8-32AP7V-MA8	19-GA0101-JTX	SMD. RES 100 OHM 1/16W +/-5%	R711
T8-32AP7V-MA8	19-GA0101-JTX	SMD. RES 100 OHM 1/16W +/-5%	R712
T8-32AP7V-MA8	19-GA0101-JTX	SMD. RES 100 OHM 1/16W +/-5%	R713
T8-32AP7V-MA8	19-GA0101-JTX	SMD. RES 100 OHM 1/16W +/-5%	R201
T8-32AP7V-MA8	19-GA0101-JTX	SMD. RES 100 OHM 1/16W +/-5%	R847
T8-32AP7V-MA8	19-GA0102-FTX	SMD.RES 1K OHM 1/16W +/-1%	R107

T8-32AP7V-MA8	19-GA0102-FTX	SMD. RES 1K OHM 1/16W +/-1%	R106
T8-32AP7V-MA8	19-GA0102-JTX	SMD. RES 1K OHM 1/16W +/-5%	R173
T8-32AP7V-MA8	19-GA0102-JTX	SMD. RES 1K OHM 1/16W +/-5%	R172
T8-32AP7V-MA8	19-GA0102-JTX	SMD. RES 1K OHM 1/16W +/-5%	R661
T8-32AP7V-MA8	19-GA0102-JTX	SMD. RES 1K OHM 1/16W +/-5%	R109
T8-32AP7V-MA8	19-GA0102-JTX	SMD. RES 1K OHM 1/16W +/-5%	R105
T8-32AP7V-MA8	19-GA0102-JTX	SMD. RES 1K OHM 1/16W +/-5%	R507
T8-32AP7V-MA8	19-GA0102-JTX	SMD. RES 1K OHM 1/16W +/-5%	R508
T8-32AP7V-MA8	19-GA0103-JTX	SMD. RES 10K OHM 1/16W +/-5%	R516
T8-32AP7V-MA8	19-GA0103-JTX	SMD. RES 10K OHM 1/16W +/-5%	R525
T8-32AP7V-MA8	19-GA0103-JTX	SMD. RES 10K OHM 1/16W +/-5%	R103
T8-32AP7V-MA8	19-GA0103-JTX	SMD. RES 10K OHM 1/16W +/-5%	R709
T8-32AP7V-MA8	19-GA0103-JTX	SMD. RES 10K OHM 1/16W +/-5%	R708
T8-32AP7V-MA8	19-GA0103-JTX	SMD. RES 10K OHM 1/16W +/-5%	R504
T8-32AP7V-MA8	19-GA0103-JTX	SMD. RES 10K OHM 1/16W +/-5%	R519
T8-32AP7V-MA8	19-GA0103-JTX	SMD. RES 10K OHM 1/16W +/-5%	R822
T8-32AP7V-MA8	19-GA0103-JTX	SMD. RES 10K OHM 1/16W +/-5%	R110
T8-32AP7V-MA8	19-GA0103-JTX	SMD. RES 10K OHM 1/16W +/-5%	R202
T8-32AP7V-MA8	19-GA0103-JTX	SMD. RES 10K OHM 1/16W +/-5%	R506
T8-32AP7V-MA8	19-GA0103-JTX	SMD. RES 10K OHM 1/16W +/-5%	R841
T8-32AP7V-MA8	19-GA0103-JTX	SMD. RES 10K OHM 1/16W +/-5%	R846
T8-32AP7V-MA8	19-GA0103-JTX	SMD. RES 10K OHM 1/16W +/-5%	R743
T8-32AP7V-MA8	19-GA0103-JTX	SMD. RES 10K OHM 1/16W +/-5%	R741
T8-32AP7V-MA8	19-GA0103-JTX	SMD. RES 10K OHM 1/16W +/-5%	R203
T8-32AP7V-MA8	19-GA0104-JTX	SMD. RES 100K OHM 1/16W +/-5%	R104
T8-32AP7V-MA8	19-GA0104-JTX	SMD. RES 100K OHM 1/16W +/-5%	R165
T8-32AP7V-MA8	19-GA0104-JTX	SMD. RES 100K OHM 1/16W +/-5%	R141
T8-32AP7V-MA8	19-GA0104-JTX	SMD. RES 100K OHM 1/16W +/-5%	R143
T8-32AP7V-MA8	19-GA0104-JTX	SMD. RES 100K OHM 1/16W +/-5%	R819
T8-32AP7V-MA8	19-GA0104-JTX	SMD. RES 100K OHM 1/16W +/-5%	R142
T8-32AP7V-MA8	19-GA0104-JTX	SMD. RES 100K OHM 1/16W +/-5%	R140
T8-32AP7V-MA8	19-GA0104-JTX	SMD. RES 100K OHM 1/16W +/-5%	R890
T8-32AP7V-MA8	19-GA0104-JTX	SMD. RES 100K OHM 1/16W +/-5%	R662
T8-32AP7V-MA8	19-GA0104-JTX	SMD. RES 100K OHM 1/16W +/-5%	R862
T8-32AP7V-MA8	19-GA0104-JTX	SMD. RES 100K OHM 1/16W +/-5%	R837
T8-32AP7V-MA8	19-GA0104-JTX	SMD. RES 100K OHM 1/16W +/-5%	R892
T8-32AP7V-MA8	19-GA0104-JTX	SMD. RES 100K OHM 1/16W +/-5%	R864
T8-32AP7V-MA8	19-GA0104-JTX	SMD. RES 100K OHM 1/16W +/-5%	R512
T8-32AP7V-MA8	19-GA0104-JTX	SMD. RES 100K OHM 1/16W +/-5%	R102
T8-32AP7V-MA8	19-GA0104-JTX	SMD. RES 100K OHM 1/16W +/-5%	R509
T8-32AP7V-MA8	19-GA0105-JTX	SMD. RES 1M OHM 1/16W +/-5%	R171
T8-32AP7V-MA8	19-GA0113-FTX	R-CHIP 11KOHM +/-1% 1005 1/16W	R878
T8-32AP7V-MA8	19-GA0123-FTX	SMD. RES 12K OHM 1/16W +/-1%	R866
T8-32AP7V-MA8	19-GA0123-JTX	SMD. RES 12K OHM 1/16W +/-5%	R742
T8-32AP7V-MA8	19-GA0123-JTX	SMD. RES 12K OHM 1/16W +/-5%	R744
T8-32AP7V-MA8	19-GA0183-JTX	SMD. RES 18K OHM 1/16W +/-5%	R663
T8-32AP7V-MA8	19-GA0201-JTX	SMD. RES 200 OHM 1/16W +/-5% 0402	R515
T8-32AP7V-MA8	19-GA0203-FTX	SMD. RES 20K OHM 1/16W +/-1%	R895
T8-32AP7V-MA8	19-GA0222-JTX	SMD. RES 2.2K OHM 1/16W +/-5%	R246
T8-32AP7V-MA8	19-GA0229-JTX	SMD. RES 1/16W 2.2 OHM ±5%	R545
T8-32AP7V-MA8	19-GA0229-JTX	SMD. RES 1/16W 2.2 OHM ±5%	R546
T8-32AP7V-MA8	19-GA0302-JTX	SMD. RES 3K OHM 1/16W +/-5%	R664
T8-32AP7V-MA8	19-GA0303-FTX	R-SMD 30KOHM +/-1% 1/16W 0402 0402	R893
T8-32AP7V-MA8	19-GA0330-JTX	SMD. RES 33 OHM 1/16W +/-5%	R517
T8-32AP7V-MA8	19-GA0330-JTX	SMD. RES 33 OHM 1/16W +/-5%	R702
T8-32AP7V-MA8	19-GA0330-JTX	SMD. RES 33 OHM 1/16W +/-5%	R703
T8-32AP7V-MA8	19-GA0330-JTX	SMD. RES 33 OHM 1/16W +/-5%	R704

T8-32AP7V-MA8	19-GA0330-JTX	SMD. RES 33 OHM 1/16W +/-5%	R701
T8-32AP7V-MA8	19-GA0330-JTX	SMD. RES 33 OHM 1/16W +/-5%	R737
T8-32AP7V-MA8	19-GA0330-JTX	SMD. RES 33 OHM 1/16W +/-5%	R734
T8-32AP7V-MA8	19-GA0330-JTX	SMD. RES 33 OHM 1/16W +/-5%	R735
T8-32AP7V-MA8	19-GA0330-JTX	SMD. RES 33 OHM 1/16W +/-5%	R736
T8-32AP7V-MA8	19-GA0330-JTX	SMD. RES 33 OHM 1/16W +/-5%	R513
T8-32AP7V-MA8	19-GA0331-FTX	SMD. RES 330 OHM 1/16W +/-1%	R867
T8-32AP7V-MA8	19-GA0333-FTX	SMD. RES 33K OHM 1/16W +/-1%	R894
T8-32AP7V-MA8	19-GA0333-JTX	SMD. RES 33K OHM 1/16W +/-5%	R831
T8-32AP7V-MA8	19-GA0333-JTX	SMD. RES 33K OHM 1/16W +/-5%	R845
T8-32AP7V-MA8	19-GA0393-FTX	SMD. RES 39K OHM 1/16W +/-1%	R865
T8-32AP7V-MA8	19-GA0393-JTX	R-SMD 39K00HM 5% 1/16W 0402 -	R823
T8-32AP7V-MA8	19-GA0470-JTX	SMD. RES 47 OHM 1/16W +/-5%	R732
T8-32AP7V-MA8	19-GA0472-FTX	SMD. RES 4.7KOHM 1/16W +/-1%	R643
T8-32AP7V-MA8	19-GA0472-JTX	SMD. RES 4.7K OHM 1/16W +/-5%	R146
T8-32AP7V-MA8	19-GA0472-JTX	SMD. RES 4.7K OHM 1/16W +/-5%	R147
T8-32AP7V-MA8	19-GA0472-JTX	SMD. RES 4.7K OHM 1/16W +/-5%	R242
T8-32AP7V-MA8	19-GA0472-JTX	SMD. RES 4.7K OHM 1/16W +/-5%	R180
T8-32AP7V-MA8	19-GA0472-JTX	SMD. RES 4.7K OHM 1/16W +/-5%	R179
T8-32AP7V-MA8	19-GA0472-JTX	SMD. RES 4.7K OHM 1/16W +/-5%	R114
T8-32AP7V-MA8	19-GA0472-JTX	SMD. RES 4.7K OHM 1/16W +/-5%	R113
T8-32AP7V-MA8	19-GA0472-JTX	SMD. RES 4.7K OHM 1/16W +/-5%	R167
T8-32AP7V-MA8	19-GA0472-JTX	SMD. RES 4.7K OHM 1/16W +/-5%	R168
T8-32AP7V-MA8	19-GA0472-JTX	SMD. RES 4.7K OHM 1/16W +/-5%	R162
T8-32AP7V-MA8	19-GA0472-JTX	SMD. RES 4.7K OHM 1/16W +/-5%	R896
T8-32AP7V-MA8	19-GA0472-JTX	SMD. RES 4.7K OHM 1/16W +/-5%	R855
T8-32AP7V-MA8	19-GA0472-JTX	SMD. RES 4.7K OHM 1/16W +/-5%	R181
T8-32AP7V-MA8	19-GA0472-JTX	SMD. RES 4.7K OHM 1/16W +/-5%	R524
T8-32AP7V-MA8	19-GA0472-JTX	SMD. RES 4.7K OHM 1/16W +/-5%	R138
T8-32AP7V-MA8	19-GA0472-JTX	SMD. RES 4.7K OHM 1/16W +/-5%	R136
T8-32AP7V-MA8	19-GA0472-JTX	SMD. RES 4.7K OHM 1/16W +/-5%	R503
T8-32AP7V-MA8	19-GA0472-JTX	SMD. RES 4.7K OHM 1/16W +/-5%	R108
T8-32AP7V-MA8	19-GA0472-JTX	SMD. RES 4.7K OHM 1/16W +/-5%	R134
T8-32AP7V-MA8	19-GA0472-JTX	SMD. RES 4.7K OHM 1/16W +/-5%	R178
T8-32AP7V-MA8	19-GA0472-JTX	SMD. RES 4.7K OHM 1/16W +/-5%	R139
T8-32AP7V-MA8	19-GA0473-JTX	SMD. RES 47K OHM 1/16W +/-5%	R510
T8-32AP7V-MA8	19-GA0473-JTX	SMD. RES 47K OHM 1/16W +/-5%	R511
T8-32AP7V-MA8	19-GA0511-JTX	SMD. RES 0402 1/16W 510 OHM +/-5%	R213
T8-32AP7V-MA8	19-GA0561-JTX	SMD. RES 560 OHM 1/16W +/-5%	R825
T8-32AP7V-MA8	19-GA0680-JTX	SMD. RES 68 OHM 1/16W +/-5%	R717
T8-32AP7V-MA8	19-GA0680-JTX	SMD. RES 68 OHM 1/16W +/-5%	R111
T8-32AP7V-MA8	19-GA0680-JTX	SMD. RES 68 OHM 1/16W +/-5%	R112
T8-32AP7V-MA8	19-GA0680-JTX	SMD. RES 68 OHM 1/16W +/-5%	R161
T8-32AP7V-MA8	19-GA0680-JTX	SMD. RES 68 OHM 1/16W +/-5%	R718
T8-32AP7V-MA8	19-GA0680-JTX	SMD. RES 68 OHM 1/16W +/-5%	R716
T8-32AP7V-MA8	19-GA0682-JTX	SMD. RES 6800 OHM 1/16W +/-5%	R824
T8-32AP7V-MA8	19-GA0750-JTX	SMD. RES 75 OHM 1/16W +/-5%	R707
T8-32AP7V-MA8	19-GA0750-JTX	SMD. RES 75 OHM 1/16W +/-5%	R207
T8-32AP7V-MA8	19-GA0750-JTX	SMD. RES 75 OHM 1/16W +/-5%	R206
T8-32AP7V-MA8	19-GA0750-JTX	SMD. RES 75 OHM 1/16W +/-5%	R733
T8-32AP7V-MA8	19-GA0750-JTX	SMD. RES 75 OHM 1/16W +/-5%	R740
T8-32AP7V-MA8	19-GA0750-JTX	SMD. RES 75 OHM 1/16W +/-5%	R739
T8-32AP7V-MA8	19-GA0750-JTX	SMD. RES 75 OHM 1/16W +/-5%	R706
T8-32AP7V-MA8	19-GA0750-JTX	SMD. RES 75 OHM 1/16W +/-5%	R705
T8-32AP7V-MA8	19-GA0750-JTX	SMD. RES 75 OHM 1/16W +/-5%	R738
T8-32AP7V-MA8	19-GA0823-JTX	R-SMD 82K00HM 5% 1/16W 0402 -	R891
T8-32AP7V-MA8	19-GA0823-JTX	R-SMD 82K00HM 5% 1/16W 0402 -	R863

T8-32AP7V-MA8	19-GA0823-JTX	R-SMD 82K00HM 5% 1/16W 0402 -	R884
T8-32AP7V-MA8	19-GA0823-JTX	R-SMD 82K00HM 5% 1/16W 0402 -	R820
T8-32AP7V-MA8	19-GA0823-JTX	R-SMD 82K00HM 5% 1/16W 0402 -	R821
T8-32AP7V-MA8	23-D08100-JBX	NETWORK RES. 1/16W 10 OHM +/-5%	RP2
T8-32AP7V-MA8	23-D08100-JBX	NETWORK RES. 1/16W 10 OHM +/-5%	RP1
T8-32AP7V-MA8	25-BAS471-M1X9	CAP. ELE 3.5MM 470UF 6.3V 8*9 85 LELON	C879
T8-32AP7V-MA8	25-BAS471-M1X9	CAP. ELE 3.5MM 470UF 6.3V 8*9 85 LELON	C208
T8-32AP7V-MA8	25-BEB221-M1L	CAP. ELE 5.0MM 220UF 35V 10 85 REA221M1VS	C621
T8-32AP7V-MA8	25-BEB221-M1L	CAP. ELE 5.0MM 220UF 35V 10 85 REA221M1VS	C810
T8-32AP7V-MA8	25-BEB221-M1L	CAP. ELE 5.0MM 220UF 35V 10 85 REA221M1VS	C619
T8-32AP7V-MA8	25-HCB101-M1X	CAP. ELE 5MM 100UF 16.0V 6.3*7 85 \	C652
T8-32AP7V-MA8	25-HCB101-M1X	CAP. ELE 5MM 100UF 16.0V 6.3*7 85 \	C333
T8-32AP7V-MA8	25-HCB101-M1X	CAP. ELE 5MM 100UF 16.0V 6.3*7 85 \	C833
T8-32AP7V-MA8	25-HCB101-M1X	CAP. ELE 5MM 100UF 16.0V 6.3*7 85 \	C865
T8-32AP7V-MA8	25-HCB221-M1X	CAP. ELE 5MM 220UF 16V +/-20%(8*7)	C842
T8-32AP7V-MA8	25-HCS221-M1X	CAP. ELE 3.5MM 220UF 16V 8 85 B41002A4227	C603
T8-32AP7V-MA8	25-HCS221-M1X	CAP. ELE 3.5MM 220UF 16V 8 85 B41002A4227	C859
T8-32AP7V-MA8	25-HCS221-M1X	CAP. ELE 3.5MM 220UF 16V 8 85 B41002A4227	C501
T8-32AP7V-MA8	28-AA0104-ZFX	CAP. CER, SMD 100N0F 10V DCV 0603 --	C622
T8-32AP7V-MA8	28-AA0105-KBX	CAP. CER, SMD 1UF 10V 0603 -- +/-10% R=Y	C872
T8-32AP7V-MA8	28-AA0105-KBX	CAP. CER, SMD 1UF 10V 0603 -- +/-10% R=Y	C862
T8-32AP7V-MA8	28-AA0105-KBX	CAP. CER, SMD 1UF 10V 0603 -- +/-10% R=Y	C873
T8-32AP7V-MA8	28-AA0105-ZFX	CAP. CER, SMD 1UF 10.0V 0603 - +80/-20% R=	C848
T8-32AP7V-MA8	28-AA0225-KBX	CAP. CER, SMD 2U2F 10V DCV 0603 -	C122
T8-32AP7V-MA8	28-AA0225-KBX	CAP. CER, SMD 2U2F 10V DCV 0603 -	C128
T8-32AP7V-MA8	28-AA0225-KBX	CAP. CER, SMD 2U2F 10V DCV 0603 -	C105
T8-32AP7V-MA8	28-AA0225-KBX	CAP. CER, SMD 2U2F 10V DCV 0603 -	C183
T8-32AP7V-MA8	28-AA0225-KBX	CAP. CER, SMD 2U2F 10V DCV 0603 -	C182
T8-32AP7V-MA8	28-AA0475-KBX	CAP. CER, SMD 4.7UF 10V 0603 CL10B475KP8NN	C204
T8-32AP7V-MA8	28-AB0102-KBX	CAP. CER, SMD 1NF 50.0V 0603 - +/-10% R=Y	C803
T8-32AP7V-MA8	28-AB0103-KBX	CAP. CER, SMD 10NF 50.0V 0603 - +/-10% R=Y	C832
T8-32AP7V-MA8	28-AB0103-KBX	CAP. CER, SMD 10NF 50.0V 0603 - +/-10% R=Y	C838
T8-32AP7V-MA8	28-AB0103-ZFX	CAP. CER, SMD 10NF 50.0V 0603 - +80/-20% R	C206
T8-32AP7V-MA8	28-AB0104-KBX	CAP. CER, SMD 100NF 50.0V 0603 - +/-10% R=	C819
T8-32AP7V-MA8	28-AB0104-KBX	CAP. CER, SMD 100NF 50.0V 0603 - +/-10% R=	C822
T8-32AP7V-MA8	28-AB0104-KBX	CAP. CER, SMD 100NF 50.0V 0603 - +/-10% R=	C802
T8-32AP7V-MA8	28-AB0104-KBX	CAP. CER, SMD 100NF 50.0V 0603 - +/-10% R=	C638
T8-32AP7V-MA8	28-AB0104-KBX	CAP. CER, SMD 100NF 50.0V 0603 - +/-10% R=	C631
T8-32AP7V-MA8	28-AB0104-KBX	CAP. CER, SMD 100NF 50.0V 0603 - +/-10% R=	C636
T8-32AP7V-MA8	28-AB0104-KBX	CAP. CER, SMD 100NF 50.0V 0603 - +/-10% R=	C633
T8-32AP7V-MA8	28-AB0104-KBX	CAP. CER, SMD 100NF 50.0V 0603 - +/-10% R=	C618
T8-32AP7V-MA8	28-AB0104-KBX	CAP. CER, SMD 100NF 50.0V 0603 - +/-10% R=	C620
T8-32AP7V-MA8	28-AB0104-KBX	CAP. CER, SMD 100NF 50.0V 0603 - +/-10% R=	C821
T8-32AP7V-MA8	28-AB0104-ZFX	CAP. CER, SMD 100N0F 50V DCV 0603 -	C200
T8-32AP7V-MA8	28-AB0220-JCX	CAP. CER, SMD 22PF 50.0V 0603 - +/-5% R=Y	C718
T8-32AP7V-MA8	28-AB0331-JCX	CAP. CER, SMD 330PF 50.0V 0603 - +/-5% R=Y	C639
T8-32AP7V-MA8	28-AB0331-JCX	CAP. CER, SMD 330PF 50.0V 0603 - +/-5% R=Y	C635
T8-32AP7V-MA8	28-AB0331-JCX	CAP. CER, SMD 330PF 50.0V 0603 - +/-5% R=Y	C634
T8-32AP7V-MA8	28-AB0331-JCX	CAP. CER, SMD 330PF 50.0V 0603 - +/-5% R=Y	C630
T8-32AP7V-MA8	28-AB0391-JCX	CAP. SMD 390P 50V +/-5% 0603	C820
T8-32AP7V-MA8	28-AB0472-KBX	CAP. CER, SMD 4N7F 50.0V 0603 - +/-10% R=Y	C818
T8-32AP7V-MA8	28-AC0104-ZFX	SMD. CAP 16VDC/100NF/+80%/-20%	C738
T8-32AP7V-MA8	28-AC0104-ZFX	SMD. CAP 16VDC/100NF/+80%/-20%	C840
T8-32AP7V-MA8	28-AC0104-ZFX	SMD. CAP 16VDC/100NF/+80%/-20%	C841
T8-32AP7V-MA8	28-AC0104-ZFX	SMD. CAP 16VDC/100NF/+80%/-20%	C829
T8-32AP7V-MA8	28-AC0104-ZFX	SMD. CAP 16VDC/100NF/+80%/-20%	C826
T8-32AP7V-MA8	28-AC0105-KBX	SMD. CAP 16V 1UF +/-10%	C828

T8-32AP7V-MA8	28-AC0105-ZFX	SMD. CAP 1 UF 16VDC +80%/-20%	C800
T8-32AP7V-MA8	28-AC0105-ZFX	SMD. CAP 1 UF 16VDC +80%/-20%	C606
T8-32AP7V-MA8	28-AC0225-KBX	SMD. CAP 2. 2UF +/-10% 16V SP (188605643)	C611
T8-32AP7V-MA8	28-AC0474-KBX	SMD. CAP 0. 47UF 16V +/-10%	C612
T8-32AP7V-MA8	28-AC0474-KBX	SMD. CAP 0. 47UF 16V +/-10%	C609
T8-32AP7V-MA8	28-AC0474-KBX	SMD. CAP 0. 47UF 16V +/-10%	C610
T8-32AP7V-MA8	28-AC0474-KBX	SMD. CAP 0. 47UF 16V +/-10%	C613
T8-32AP7V-MA8	28-BA0106-KBX	CAP. CER, SMD 10UOF 10V DCV 0805 -	C139
T8-32AP7V-MA8	28-BA0106-KBX	CAP. CER, SMD 10UOF 10V DCV 0805 -	C141
T8-32AP7V-MA8	28-BA0106-KBX	CAP. CER, SMD 10UOF 10V DCV 0805 -	C135
T8-32AP7V-MA8	28-BA0106-KBX	CAP. CER, SMD 10UOF 10V DCV 0805 -	C159
T8-32AP7V-MA8	28-BA0106-KBX	CAP. CER, SMD 10UOF 10V DCV 0805 -	C844
T8-32AP7V-MA8	28-BA0106-KBX	CAP. CER, SMD 10UOF 10V DCV 0805 -	C870
T8-32AP7V-MA8	28-BA0106-KBX	CAP. CER, SMD 10UOF 10V DCV 0805 -	C860
T8-32AP7V-MA8	28-BA0106-KBX	CAP. CER, SMD 10UOF 10V DCV 0805 -	C704
T8-32AP7V-MA8	28-BA0106-KBX	CAP. CER, SMD 10UOF 10V DCV 0805 -	C855
T8-32AP7V-MA8	28-BA0106-KBX	CAP. CER, SMD 10UOF 10V DCV 0805 -	C878
T8-32AP7V-MA8	28-BA0106-ZFX	CAP. CER, SMD 10UOF 10V DCV 0805 -	C739
T8-32AP7V-MA8	28-BA0106-ZFX	CAP. CER, SMD 10UOF 10V DCV 0805 -	C849
T8-32AP7V-MA8	28-BA0225-KBX	CAP. CER, SMD 2. 2UF 10V 0805 C2012COG1AXXX	C607
T8-32AP7V-MA8	28-BA0225-KBX	CAP. CER, SMD 2. 2UF 10V 0805 C2012COG1AXXX	C601
T8-32AP7V-MA8	28-BA0225-ZFX	SMD. CAP 10V 2. 2UF +80% -20%	C814
T8-32AP7V-MA8	28-BA0225-ZFX	SMD. CAP 10V 2. 2UF +80% -20%	C813
T8-32AP7V-MA8	28-BA0475-ZFX	CAP. CER, SMD 4U7F 10V DCV 0805 -	C808
T8-32AP7V-MA8	28-BB0105-ZFX	CAP. CER, SMD 1UOF 50V DCV 0805 -	C207
T8-32AP7V-MA8	28-BC0105-KBX	CAP. CER, SMD 1UF 16V 0805 -	C617
T8-32AP7V-MA8	28-BC0105-KBX	CAP. CER, SMD 1UF 16V 0805 -	C616
T8-32AP7V-MA8	28-BC0105-KBX	CAP. CER, SMD 1UF 16V 0805 -	C614
T8-32AP7V-MA8	28-BC0105-KBX	CAP. CER, SMD 1UF 16V 0805 -	C615
T8-32AP7V-MA8	28-BC0225-ZFX	CAP. CER, SMD 2U2F 16. 0V 0805 -	C136
T8-32AP7V-MA8	28-BC0225-ZFX	CAP. CER, SMD 2U2F 16. 0V 0805 -	C604
T8-32AP7V-MA8	28-BF0106-ZFX	SMD. CAP 10uF	C102
T8-32AP7V-MA8	28-HA0105-KBX	MLCC 1UF +/-10% 10V B 1005	C551
T8-32AP7V-MA8	28-HB0101-JCX	CAP. CER, SMD 100POF 50V DCV 0402 -	C202
T8-32AP7V-MA8	28-HB0101-JCX	CAP. CER, SMD 100POF 50V DCV 0402 -	C203
T8-32AP7V-MA8	28-HB0102-KBX	CAP. CER, SMD 1NOF 50V DCV 0402 -	C104
T8-32AP7V-MA8	28-HB0102-KBX	CAP. CER, SMD 1NOF 50V DCV 0402 -	C163
T8-32AP7V-MA8	28-HB0181-JCX	CAPACITORS 0402 50V 180P ±5%	C145
T8-32AP7V-MA8	28-HB0181-JCX	CAPACITORS 0402 50V 180P ±5%	C146
T8-32AP7V-MA8	28-HB0181-JCX	CAPACITORS 0402 50V 180P ±5%	C143
T8-32AP7V-MA8	28-HB0181-JCX	CAPACITORS 0402 50V 180P ±5%	C144
T8-32AP7V-MA8	28-HB0220-JCX	CAP. CER, SMD 22POF 50V DCV 0402 -	C518
T8-32AP7V-MA8	28-HB0220-JCX	CAP. CER, SMD 22POF 50V DCV 0402 -	C181
T8-32AP7V-MA8	28-HB0220-JCX	CAP. CER, SMD 22POF 50V DCV 0402 -	C180
T8-32AP7V-MA8	28-HB0220-JCX	CAP. CER, SMD 22POF 50V DCV 0402 -	C155
T8-32AP7V-MA8	28-HB0220-JCX	CAP. CER, SMD 22POF 50V DCV 0402 -	C517
T8-32AP7V-MA8	28-HB0220-JCX	CAP. CER, SMD 22POF 50V DCV 0402 -	C890
T8-32AP7V-MA8	28-HB0330-JCX	CAP. CER, SMD 33PF 50V DCV 0402 -	C226
T8-32AP7V-MA8	28-HB0560-JCX	CAP. CER, SMD 56POF 50V DCV 0402 -	C225
T8-32AP7V-MA8	28-HB0561-KBX	CAP. CER, SMD 560POF 50V DCV 0402 -	C726
T8-32AP7V-MA8	28-HB0561-KBX	CAP. CER, SMD 560POF 50V DCV 0402 -	C727
T8-32AP7V-MA8	28-HC0103-KBX	CAP. CER, SMD 10NOF 16V DCV 0402 -	C130
T8-32AP7V-MA8	28-HC0104-KBX	CAP. CER, SMD 100NF 16V 0402 -	C120
T8-32AP7V-MA8	28-HC0104-KBX	CAP. CER, SMD 100NF 16V 0402 -	C866
T8-32AP7V-MA8	28-HC0104-KBX	CAP. CER, SMD 100NF 16V 0402 -	C140
T8-32AP7V-MA8	28-HC0104-KBX	CAP. CER, SMD 100NF 16V 0402 -	C101
T8-32AP7V-MA8	28-HC0104-KBX	CAP. CER, SMD 100NF 16V 0402 -	C129

T8-32AP7V-MA8	28-HC0104-KBX	CAP. CER, SMD 100NF 16V 0402 -	C108
T8-32AP7V-MA8	28-HC0104-KBX	CAP. CER, SMD 100NF 16V 0402 -	C106
T8-32AP7V-MA8	28-HC0104-KBX	CAP. CER, SMD 100NF 16V 0402 -	C845
T8-32AP7V-MA8	28-HC0104-KBX	CAP. CER, SMD 100NF 16V 0402 -	C834
T8-32AP7V-MA8	28-HC0104-KBX	CAP. CER, SMD 100NF 16V 0402 -	C837
T8-32AP7V-MA8	28-HC0104-KBX	CAP. CER, SMD 100NF 16V 0402 -	C205
T8-32AP7V-MA8	28-HC0104-KBX	CAP. CER, SMD 100NF 16V 0402 -	C220
T8-32AP7V-MA8	28-HC0104-KBX	CAP. CER, SMD 100NF 16V 0402 -	C121
T8-32AP7V-MA8	28-HC0104-KBX	CAP. CER, SMD 100NF 16V 0402 -	C502
T8-32AP7V-MA8	28-HC0104-KBX	CAP. CER, SMD 100NF 16V 0402 -	C215
T8-32AP7V-MA8	28-HC0104-KBX	CAP. CER, SMD 100NF 16V 0402 -	C111
T8-32AP7V-MA8	28-HC0104-KBX	CAP. CER, SMD 100NF 16V 0402 -	C157
T8-32AP7V-MA8	28-HC0104-KBX	CAP. CER, SMD 100NF 16V 0402 -	C158
T8-32AP7V-MA8	28-HC0104-KBX	CAP. CER, SMD 100NF 16V 0402 -	C156
T8-32AP7V-MA8	28-HC0104-KBX	CAP. CER, SMD 100NF 16V 0402 -	C115
T8-32AP7V-MA8	28-HC0104-KBX	CAP. CER, SMD 100NF 16V 0402 -	C118
T8-32AP7V-MA8	28-HC0104-KBX	CAP. CER, SMD 100NF 16V 0402 -	C867
T8-32AP7V-MA8	28-HC0104-KBX	CAP. CER, SMD 100NF 16V 0402 -	C858
T8-32AP7V-MA8	28-HC0104-KBX	CAP. CER, SMD 100NF 16V 0402 -	C856
T8-32AP7V-MA8	28-HC0104-KBX	CAP. CER, SMD 100NF 16V 0402 -	C861
T8-32AP7V-MA8	28-HC0104-KBX	CAP. CER, SMD 100NF 16V 0402 -	C836
T8-32AP7V-MA8	28-HC0104-KBX	CAP. CER, SMD 100NF 16V 0402 -	C126
T8-32AP7V-MA8	28-HC0104-KBX	CAP. CER, SMD 100NF 16V 0402 -	C125
T8-32AP7V-MA8	28-HC0104-KBX	CAP. CER, SMD 100NF 16V 0402 -	C123
T8-32AP7V-MA8	28-HC0104-KBX	CAP. CER, SMD 100NF 16V 0402 -	C124
T8-32AP7V-MA8	28-HC0104-KBX	CAP. CER, SMD 100NF 16V 0402 -	C119
T8-32AP7V-MA8	28-HC0104-KBX	CAP. CER, SMD 100NF 16V 0402 -	C116
T8-32AP7V-MA8	28-HC0104-KBX	CAP. CER, SMD 100NF 16V 0402 -	C138
T8-32AP7V-MA8	28-HC0104-KBX	CAP. CER, SMD 100NF 16V 0402 -	C871
T8-32AP7V-MA8	28-HC0104-KBX	CAP. CER, SMD 100NF 16V 0402 -	C110
T8-32AP7V-MA8	28-HC0104-KBX	CAP. CER, SMD 100NF 16V 0402 -	C127
T8-32AP7V-MA8	28-HC0104-KBX	CAP. CER, SMD 100NF 16V 0402 -	C107
T8-32AP7V-MA8	28-HC0104-KBX	CAP. CER, SMD 100NF 16V 0402 -	C109
T8-32AP7V-MA8	28-HC0104-ZFX	CAP. CER, SMD 100NOF 16V DCV 0402 -	C608
T8-32AP7V-MA8	28-HC0104-ZFX	CAP. CER, SMD 100NOF 16V DCV 0402 -	C605
T8-32AP7V-MA8	28-HC0105-KBX	CAP. CER, SMD 1UF 10% 16V '' 0402 CL05 R=Y	C868
T8-32AP7V-MA8	28-HC0105-KBX	CAP. CER, SMD 1UF 10% 16V '' 0402 CL05 R=Y	C857
T8-32AP7V-MA8	28-HC0105-KBX	CAP. CER, SMD 1UF 10% 16V '' 0402 CL05 R=Y	C103
T8-32AP7V-MA8	28-HC0223-KBX	CAP. CER, SMD 22NOF 16V DCV 0402 -	C201
T8-32AP7V-MA8	28-HC0473-KBX	CAP. CER, SMD 47NF 16V 0402 -	C162
T8-32AP7V-MA8	28-HC0473-KBX	CAP. CER, SMD 47NF 16V 0402 -	C169
T8-32AP7V-MA8	28-HC0473-KBX	CAP. CER, SMD 47NF 16V 0402 -	C170
T8-32AP7V-MA8	28-HC0473-KBX	CAP. CER, SMD 47NF 16V 0402 -	C171
T8-32AP7V-MA8	28-HC0473-KBX	CAP. CER, SMD 47NF 16V 0402 -	C160
T8-32AP7V-MA8	28-HC0473-KBX	CAP. CER, SMD 47NF 16V 0402 -	C161
T8-32AP7V-MA8	28-HC0473-KBX	CAP. CER, SMD 47NF 16V 0402 -	C172
T8-32AP7V-MA8	28-HC0473-KBX	CAP. CER, SMD 47NF 16V 0402 -	C173
T8-32AP7V-MA8	28-HC0473-KBX	CAP. CER, SMD 47NF 16V 0402 -	C167
T8-32AP7V-MA8	28-HC0473-KBX	CAP. CER, SMD 47NF 16V 0402 -	C168
T8-32AP7V-MA8	28-HC0473-KBX	CAP. CER, SMD 47NF 16V 0402 -	C164
T8-32AP7V-MA8	33-ELN121-NTX	SMD. COLL	L601
T8-32AP7V-MA8	33-ELN121-NTX	SMD. COLL	L606
T8-32AP7V-MA8	33-ELN221-NTB	CHIP BEAD 220 OHM	L700
T8-32AP7V-MA8	33-KLL109-KTX	IND-SMD 0.60HM 35 25A 0603 /	L206
T8-32AP7V-MA8	33-KLL109-KTX	IND-SMD 0.60HM 35 25A 0603 /	L205
T8-32AP7V-MA8	33-KLL229-KTX	IND-SMD 1.150HM 35 15MA 0603 /	L208
T8-32AP7V-MA8	33-KLL229-KTX	IND-SMD 1.150HM 35 15MA 0603 /	L207

T8-32AP7V-MA8	33-KLN102-NTX	SMD. COLL MGGB1608M102HB	L102
T8-32AP7V-MA8	33-KLN121-NTB	IND FXD 0603 EMI 100MHZ	L101
T8-32AP7V-MA8	33-KLN121-NTB	IND FXD 0603 EMI 100MHZ	L817
T8-32AP7V-MA8	33-KLN121-NTB	IND FXD 0603 EMI 100MHZ	L104
T8-32AP7V-MA8	33-KLN121-NTB	IND FXD 0603 EMI 100MHZ	L103
T8-32AP7V-MA8	33-KLN121-NTB	IND FXD 0603 EMI 100MHZ	L100
T8-32AP7V-MA8	33-ELN501-NTX	CHIP BEAD 500 OHM +/-25%	L201
T8-32AP7V-MA8	33-NLL100-MTX	IND-SMD 0.0460HM 40 2.5A 6*6*4.5 VLC6045	L818
T8-32AP7V-MA8	33-NLL100-MTX	IND-SMD 0.0460HM 40 2.5A 6*6*4.5 VLC6045	L819
T8-32AP7V-MA8	33-NLL100-MTX	IND-SMD 0.0460HM 40 2.5A 6*6*4.5 VLC6045	L820
T8-32AP7V-MA8	33-NLL220-MTX	IND-SMD 0.10HM 40 1.7A SMD VLC6045T	L602A
T8-32AP7V-MA8	33-NLL220-MTX	IND-SMD 0.10HM 40 1.7A SMD VLC6045T	L603A
T8-32AP7V-MA8	33-NLL220-MTX	IND-SMD 0.10HM 40 1.7A SMD VLC6045T	L605A
T8-32AP7V-MA8	33-NLL220-MTX	IND-SMD 0.10HM 40 1.7A SMD VLC6045T	L604A
T8-32AP7V-MA8	45-OSC24M-0Y2	CRYSTAL 24MHZ	X1
T8-32AP7V-MA8	46-40336W-04XG	CONN PH 4 2.0MM FEMALE R	P200
T8-32AP7V-MA8	46-40337W-04XG	CONN TJC3 4 2.5MM FEMALE R	P601
T8-32AP7V-MA8	46-40338W-12XG	CONN PHD 12 2.0MM FEMALE R	P800
T8-32AP7V-MA8	46-40338W-40XG	CONN PHD 40 2.0MM FEMALE R	P202
T8-32AP7V-MA8	47-HDI001-XS1	SMT SOCKET HDMI ST N 1747981	P502
T8-32AP7V-MA8	47-RCA117-XX0G	AV SOCKET AV-3.2-6W-I8	P702
T8-32AP7V-MA8	47-RCA301-XY0G	SOCKET-RCA N YE 1PIN R N AV-3.2-1W88	P703
T8-32AP7V-MA8	07-389SI3-NF1G	TUNER A PAL 7MHZ IEC SIDE XF-3SA	TU1
T8-32AP7V-MA8	67-387200-1A0	HEAT SINK	FOR IC U101
T8-32AP7V-MA8	33-YLL100-MTA	SMD. COIL 10uH NR8040T100M	L814
T8-32AP7V-MA8	13-W25Q32-BVB	IC THE COMPONENTS BE USED IN 32M-BIT FLA	U102 (CPP)
T8-32AP7V-MA8	33-GLN300-NTX	CHIP BEAD 30 OHM +/-25%	L801
T8-32AP7V-MA8	33-GLN300-NTX	CHIP BEAD 30 OHM +/-25%	L802
T8-32AP7V-MA8	47-USB002-XX0	USB SOCKET USB-1W-B	P501A
T8-32AP7V-MA8	46-40336W-05XG	CONN PH 5 2.0MM FEMALE R	P203A (1到5脚)
T8-32AP7V-MA8	71-BAR008-0A9	BARCODE LABEL	
T8-32AP7V-MA8	71-AV0000-V00	SOFT LABEL PAPER WHITE	
T8-32AP7V-MA8	19-AB0103-JTX	RES SMD 10K OHM 1/10W 0603	R869
T8-32AP7V-MA8	18-CD0109-JNX	RES. C.F. 1 OHM 1/4W +/-5%	L202
T8-32AP7V-MA8	19-AB0243-JTX	R-SMD 24K00HM 5% 1/10W 0603 -	R900
T8-32AP7V-MA8	40-1MS82D-MAB2LG	PCB IR 140*195MM 2PC DOUBLESIDED 1.6MM 1	
T8-32AP7V-MA8	19-GA0222-JTX	SMD. RES 2.2K OHM 1/16W +/-5%	R243
T8-32AP7V-MA8	25-HCB221-M1X	CAP.ELE 5MM 220UF 16V +/-20%(8*7)	C815
T8-32AP7V-MA8	47-VGA018-XX1	SOCKET-VGA 15 R FEMALE	P701
H7-HB331N7V-EG0	T8-32C727V-KE1	ASS'Y - KEY BD	
T8-32C727V-KE1	19-AB0101-FTX	RES SMD 100 OHM 1/10W +/-1% 0603	R11
T8-32C727V-KE1	19-AB0471-FTX	RES SMD 470 OHM 1/10W +/-1% 0603	R6
T8-32C727V-KE1	19-AB0471-FTX	RES SMD 470 OHM 1/10W +/-1% 0603	R3
T8-32C727V-KE1	19-AB0471-FTX	RES SMD 470 OHM 1/10W +/-1% 0603	R2
T8-32C727V-KE1	19-AB0471-FTX	RES SMD 470 OHM 1/10W +/-1% 0603	R4
T8-32C727V-KE1	19-AB0471-FTX	RES SMD 470 OHM 1/10W +/-1% 0603	R5
T8-32C727V-KE1	19-AB0471-FTX	RES SMD 470 OHM 1/10W +/-1% 0603	R7
T8-32C727V-KE1	19-AB0471-FTX	RES SMD 470 OHM 1/10W +/-1% 0603	R1
T8-32C727V-KE1	40-F3300B-KEB2XG	PCB 40-F3300B-KEB2XG 121.5X126.5MM 11PC	
T8-32C727V-KE1	46-GHSS02-04SG	CONN SMT 4 1.25MM FEMALE WHITE R	P1
T8-32C727V-KE1	48-TAC001-XX0	TACT SWITCH	K3
T8-32C727V-KE1	48-TAC001-XX0	TACT SWITCH	K6
T8-32C727V-KE1	48-TAC001-XX0	TACT SWITCH	K1
T8-32C727V-KE1	48-TAC001-XX0	TACT SWITCH	K7
T8-32C727V-KE1	48-TAC001-XX0	TACT SWITCH	K2
T8-32C727V-KE1	48-TAC001-XX0	TACT SWITCH	K4
T8-32C727V-KE1	48-TAC001-XX0	TACT SWITCH	K5



H7-HB331N7V-EGO	T8-32C727V-RC1	ASS'Y - REAR CABINET	
T8-32C727V-RC1	42-51316F-XX8G	SPEAKER 160HM 8W 82 200HZ RECTANGLE 480*	
T8-32C727V-RC1	46-AB400D-AUBH1G	WIRE LVDS WIRE 400MM 22PIN FI-X30HL PHDR	MAIN BOARD P202 TO PANEL
T8-32C727V-RC1	46-FM060L-04P01G	WIRE CABLE 600MM 4 A2008 A1250/1255 2.0	FOR KEY. BD P1 TO M. BD P200
T8-32C727V-RC1	46-LL035L-12X01G	WIRE POWER SULLPY WIRE FOR MAIN BOARD 35	FOR M. BD P800 TO POWER BD CON3
T8-32C727V-RC1	54-114000-00X	TV RAW FELT PAPER 150MMX19MMX0.3MM BK 01	
T8-32C727V-RC1	62-725140-0HZ	RAW SUPPORT CRT 32F3300B -- OUK 00 00 R=	
T8-32C727V-RC1	63-B3012T-BF5G	SCREW-ST 3MM 12MM ISO 19 R=Y	
T8-32C727V-RC1	63-B3012T-BF5G	SCREW-ST 3MM 12MM ISO 19 R=Y	
T8-32C727V-RC1	63-B4010T-BF5G	SCREW-ST 4MM 10MM ISO R=Y	
T8-32C727V-RC1	63-B4010T-BF5G	SCREW-ST 4MM 10MM ISO R=Y	
T8-32C727V-RC1	64-B30080-104G	M/C SCREW B 3 X 8	
T8-32C727V-RC1	64-B30080-104G	M/C SCREW B 3 X 8	
T8-32C727V-RC1	67-725150-0G0	RAW SHIELDING CRT 32F3300B BASE SUPPORT	
T8-32C727V-RC1	89-BX8915-JZ0U	SUNDRIES-TAPE ADHESIVE 18MMX55M --	FOR LVDS WIRE
T8-32C727V-RC1	89-BX8915-JZ0U	SUNDRIES-TAPE ADHESIVE 18MMX55M --	FOR BACKLIGHT WIRE
T8-32C727V-RC1	89-BX8915-JZ0U	SUNDRIES-TAPE ADHESIVE 18MMX55M --	FOR KEY BOARD WIRE
T8-32C727V-RC1	89-BX8915-JZ0U	SUNDRIES-TAPE ADHESIVE 18MMX55M --	FOR SPEAK WIRE
T8-32C727V-RC1	T8-32C727V-RC1Z	ASS'Y - REAR CABINET (ART)	
T8-32C727V-RC1Z	55-464720-OKL6R	DEC BACKCOVER 32E330 S RC -- 00 00 00 R=	
T8-32C727V-RC1Z	56-725490-OHA21	RAW KEY CLUSTER L19P31 R=N	
T8-32C727V-RC1Z	56-725500-OHA9D	DEC SUPPORT KEY CLUSTER -- 00 00 00 R=N	
T8-32C727V-RC1Z	58-32C720-1609A	PRI OVERLAY L24D20 WHITE WORDS ON BLACK	
T8-32C727V-RC1Z	56-464730-OKL6R	RAW SUPPORT KEY CLUSTER -- 00 00 00 R=N	
T8-32C727V-RC1	46-CT055T-04J01G	WIRE SPEAKER WIRE 350/550MM 4PIN TJC3 0.	FOR P601
T8-32C727V-RC1	63-B30100-AB5G	SCREW-ST 3MM 10MM JIS B 1122 12 0 0 R=Y	
T8-32C727V-RC1	63-B30100-AB5G	SCREW-ST 3MM 10MM JIS B 1122 12 0 0 R=Y	
T8-32C727V-RC1	63-S40150-AB3G	S/T SCREW S 4 X 15 AB	
T8-32C727V-RC1	62-839350-OHG6R	TV PAI HOLDER VESA BOSS -- 00 00 R=N	
H7-HB331N7V-EGO	T8-32C727V-PA1	ASS'Y - PACKING PARTS	
T8-32C727V-PA1	51-DC0160-0CROHG	POWER CORD 1600MM DTIII-2P-03/DTIII-2P-0	
T8-32C727V-PA1	63-B4020T-BF5G	SCREW-ST 4MM 20MM ISO R=Y	
T8-32C727V-PA1	64-B40120-114G	SCREW 4MM 12MM ISO 53 R=Y	
T8-32C727V-PA1	64-Q40220-104G	SCREW M4MM 22MM 62 R=Y	
T8-32C727V-PA1	74-004006-12C	RAW PACKING BAG 60X40X0.08MM - R=Y	
T8-32C727V-PA1	75-942690-CC0	RAW POLYFOAM CRT 32F3300B POLYFOAM(U) --	
T8-32C727V-PA1	75-942700-CC0	RAW POLYFOAM CRT 32F3300B POLYFOAM(L) --	
T8-32C727V-PA1	T8-32C727V-PA1Z	ASS'Y - PACKING PARTS (ART)	
T8-32C727V-PA1Z	74-022032-6WEEM	PRI PACKING BAG - RED 186C 01 00 00 R=N	
T8-32C727V-PA1Z	74-086075-3WDEM	DEC BAG -- RED 186C 01 00 00 R=Y	
T8-32C727V-PA1Z	76-942710-OAT	RAW CARTON-BOX 19D20 K3A3A 00 00 00 R=Y	
T8-32C727V-PA1	49-R03P80-BAT	BATTERY 1.5V	
H7-HB331N7V-EGO	T8-32C727V-BS1	ASS'Y - BASE	
T8-32C727V-BS1	T8-32C727V-BS1Z	ASS'Y - BASE (ART)	
T8-32C727V-BS1Z	57-922660-0001A	PAI SUPPORT STD -- 00 00 00 R=Y	
T8-32C727V-BS1Z	68-922890-1009A	DEC STAND BASE -- 00 00 00 R=Y	
H7-HB331N7V-EGO	T8-32B3310-LPM1	LVW320CSOT E3 V3 32B3310	
T8-32B3310-LPM1	T8-32B3310-FC1	ASS'Y - FRONT CABINET	
T8-32B3310-FC1	89-604792-JZK	SUNDRIES-FILM SELF ADHESIVE FILM	STICK ON F. CAB BOTTOM
T8-32B3310-FC1	54-935410-200	SPONGE STRIPE -- R=Y	STICK ON F. CAB INNER UP/DOWN
T8-32B3310-FC1	54-935420-200	SPONGE STRIPE -- R=Y	STICK ON F. CAB INNER R/L

T8-32B3310-FC1	T8-32B3310-FC1Z	ASS'Y - FRONT CABINET ART	
T8-32B3310-FC1Z	55-464690-0HX9A	DEC FRONTPANEL D10 01 8G 00 R=N	
T8-32B3310-FC1Z	56-959000-0HQ6Q	DEC KEY L32D12 -- 01 6M 00 R=N	
T8-32B3310-FC1Z	56-956280-0HH21	DEC KEY CLUSTER 29M76S -- 01 6M 00 R=N	
T8-32B3310-FC1	89-604792-JZW	SUNDRIES-FILM SELF ADHESIVE FILM	STICK ON F. CAB R/L SIDES
T8-32B3310-FC1	89-604792-JZW	SUNDRIES-FILM SELF ADHESIVE FILM	STICK ON F. CAB TOP
T8-32B3310-LPM1	71-W32CST-LED9C	PRI LABEL -- --- R=Y	
T8-32B3310-LPM1	T8-32C727V-IR1	ASS'Y - IR BD	
T8-32C727V-IR1	02-IRR002-X12T	IR RECEIVER 37.9KHZ 5V HM238	IR1
T8-32C727V-IR1	12-BT3904-0BX	TR-SMD NPN 40VV 200MA A 300HZ 0.25W SOT2	Q1
T8-32C727V-IR1	14-LED03R-XX1	LED RED $\Phi$ 3MM F0203	D1
T8-32C727V-IR1	19-AB0101-JTX	RES SMD 100 OHM 1/10W 0603	R1
T8-32C727V-IR1	19-AB0101-JTX	RES SMD 100 OHM 1/10W 0603	R2
T8-32C727V-IR1	19-AB0122-JTX	SMD. RES 1.2K OHM 1/10W +/-5% 0603	R3
T8-32C727V-IR1	19-AB0152-JTX	R-SMD 1K5OHM 5% 1/10W 0603 -	R4
T8-32C727V-IR1	28-AB0104-ZFX	CAP. CER, SMD 100NOF 50V DCV 0603 -	C3
T8-32C727V-IR1	28-AB0101-JCX	CAP. CER, SMD 100PF 50.0V 0603 -	C2
T8-32C727V-IR1	28-AC0105-ZFX	SMD. CAP 1 UF 16VDC +80%/-20%	C4
T8-32C727V-IR1	28-AC0105-ZFX	SMD. CAP 1 UF 16VDC +80%/-20%	C1
T8-32C727V-IR1	46-GHSR01-05SG	CONN SMT 5 1.25MM FEMALE W ST	P1
T8-32C727V-IR1	40-42C720-IRD2LG	PCB IR 125*180MM 22PC DOUBLESIDED 1.6MM	
T8-32B3310-LPM1	63-B30060-BF4G	SCREW	MTG IR BD
T8-32B3310-LPM1	46-FM060L-05P01G	WIRE KEY LINE 600MM 4 A2008 A2008 2.0MM	FOR IR. BD P1 TO M. BD P203A
T8-32B3310-LPM1	T8-CS32TTL-LC7	LVW320CSTT E3--32B3310 TOT背光 搭配华星	
T8-CS32TTL-LC7	T8-32F3380-MC1	ASS'Y - MIDDLE CABINET	
T8-32F3380-MC1	59-935430-000	RAW BUFFER 32E5300 0 0 R=Y	STICK ON GLUE FRAME. UP/DOWN
T8-32F3380-MC1	59-935440-000	RAW BUFFER 32E5300 0 0 R=Y	STICK ON GLUE FRAME. R/L
T8-32F3380-MC1	59-935450-000	RAW BUFFER 32E5300 0 0 R=Y	STICK ON GLUE FRAME CORNER
T8-32F3380-MC1	67-M93409-0E0	TV RAW SPRING CLUTCH R=Y	MTG GLUE FRAME&F. CAB
T8-32F3380-MC1	62-725190-3UF	RAW SUPPORT CRT 32F3300B -- 3UF JIAOKUAN	
T8-32F3380-MC1	62-725210-3UF	RAW SUPPORT CRT 32F3300B -- 3UF JIAOKUAN	
T8-32F3380-MC1	62-725220-3UF	RAW SUPPORT CRT 32F3300B -- 3UF JIAOKUAN	
T8-32F3380-MC1	62-725200-3UF	RAW SUPPORT CRT 32F3300B -- 3UF JIAOKUAN	
T8-CS32TTL-LC7	T8-32LEDEM-BL8	L32F3380 B/L PARTS	
T8-32LEDEM-BL8	62-725470-0UK	RAW SUPPORT CRT 32F3300B -- 0UK 00 00 R=	FIX ON HEATSINK BOARD
T8-32LEDEM-BL8	63-B30060-BF4G	SCREW	MTG LIGHT BAR, HEATSINK BOARD, BACKBOARD
T8-32LEDEM-BL8	89-BX8915-JZOU	SUNDRIES-TAPE ADHESIVE 18MMX55M --	FIX FOR WIRES
T8-32LEDEM-BL8	59-946020-000	RAW BUFFER SOURCE BOARD 0 0 R=Y	MTG SOURCE BD
T8-32LEDEM-BL8	4C-PF320T-JF6	FILM PRISM 32INCH 0.225MM 704MM 402MM R=	
T8-32LEDEM-BL8	4C-PF320T-SH5	FILM PRISM 32INCH 0.225MM 704MM 402MM R=	
T8-32LEDEM-BL8	4C-RF320T-TX2	FILM REFLECTOR 32INCH 0.215MM 725.6MM 42	
T8-32LEDEM-BL8	4C-LB320T-YH1	LIGHTBAR SIDE IN 32INCH 25W 27LEDS R=Y	
T8-32LEDEM-BL8	46-ZZ091T-10PG	WIRE LED DRIVER CONVERTER CABLE 910, 670,	FOR LIGHT BAR TO POWER CN201
T8-32LEDEM-BL8	T8-32LEDEM-BL8Z	L32F3380 B/L ART PARTS	
T8-32LEDEM-BL8Z	55-464710-OKL6R	DEC BACKCOVER 32E330 S RC -- 00 00 00 R=	
T8-32LEDEM-BL8	67-725170-4G0	RAW SHIELDING CRT 32F3300B HEATSINK SHEE	

T8-32LEDEM-BL8	63-B3008T-BF5G	SCREW-ST 3MM 8MM ISO 19 R=Y	MTG PLASTIC BACKBOARD&F. CAB
T8-32LEDEM-BL8	4C-DP320T-TX2	FILM DIFFUSER-PLANT 32INCH 1.5MM 704.7MM	
T8-CS32TTL-LC7	4A-LCD320-CS1	32INCH 60HZ HD ST3151A04-1 OPENCELL	
T8-CS32TTL-LC7	71-BAR011-0A9	TV PRI LABEL -- WHITE & BLACK R=Y	FOR PRODUCT LINE PRINT
H7-HB331N7V-EG0	V6-PROJECT-ID015	SOFTWARE PROJECT ID: 15	
H7-HB331N7V-EG0	T8-00MT23-SK1	ASS'Y - PACKING FOR MAIN BDASY	
T8-00MT23-SK1	74-027026-S0Q	PLASTIC BAG	
T8-00MT23-SK1	76-00MT23-0AM	RAW CARTON-BOX CARTON CA 01 00 00 R=Y	
T8-00MT23-SK1	76-00MT23-0BA	RAW CARTON-BOX LED24D20 PS 01 00 00 R=Y	
T8-00MT23-SK1	76-00MT23-0AA	RAW CARTON LED24D20 CARTON 01 00 00 R=Y	
H7-HB331N7V-EG0	T8-SKDPCB-SKY	ASS'Y-SKD PACKING(OTHER PCB)ASY	
T8-SKDPCB-SKY	74-015020-50Q	PLASTIC BAG	FOR OTHER PCB
T8-SKDPCB-SKY	76-402040-02A	CLAPBOARD	FOR OTHER PCB
T8-SKDPCB-SKY	76-402050-02A	CLAPBOARD	FOR OTHER PCB
T8-SKDPCB-SKY	76-402060-0AT	CARTON BOX	FOR OTHER PCB
T8-SKDPCB-SKY	76-402030-02A	CLAPBOARD	FOR OTHER PCB
H7-HB331N7V-EG0	T8-32F3380-SK3	ASS'Y - SKD PACKING	
T8-32F3380-SK3	74-080060-50G	RAW BAG POLY BAG 80X60 -- 01 00 00 R=Y	
T8-32F3380-SK3	74-945316-5PG	TV RAW SEPARATOR T&B -- 01 00 R=Y	
T8-32F3380-SK3	76-HF3380-0AA	RAW CARTON 32F3380 A3A 01 00 00 R=Y	
T8-32F3380-SK3	76-HF3380-0AR	RAW CARTON-BOX 3380 K=A 00 00 00 R=Y	
H7-HB331N7V-EG0	T8-32F3380-SK6	ASS'Y - SKD PACKING	
T8-32F3380-SK6	74-088060-50F	RAW BAG L32D30 -- 00 00 00 R=Y	
T8-32F3380-SK6	89-T60679-QT0	SUNDRIES-SOLDER -- BAR G73310100000002 R	
T8-32F3380-SK6	75-945130-EE0	RAW POLYFOAM L32D30 L32D30 -- 01 00 R=Y	
T8-32F3380-SK6	75-945140-EE0	RAW POLYFOAM L32D30 L32D30 -- 01 00 R=Y	
T8-32F3380-SK6	76-726110-0AS	RAW CARTON-BOX L3370-SKD KXKXK 01 00 00	
T8-32F3380-SK6	79-115985-00W	TV RAW PALLET WOOD NAT 01 00 R=Y	
H7-HB331N7V-EG0	T8-024D10-SK3	ASS'Y - PACKING FOR BASE&OTHERS	
T8-024D10-SK3	76-001497-0AF	CARTON BOX LWH 640X460X360MM	
T8-024D10-SK3	76-346740-01A	CARTON SHEET LWH 440X620X3MM	