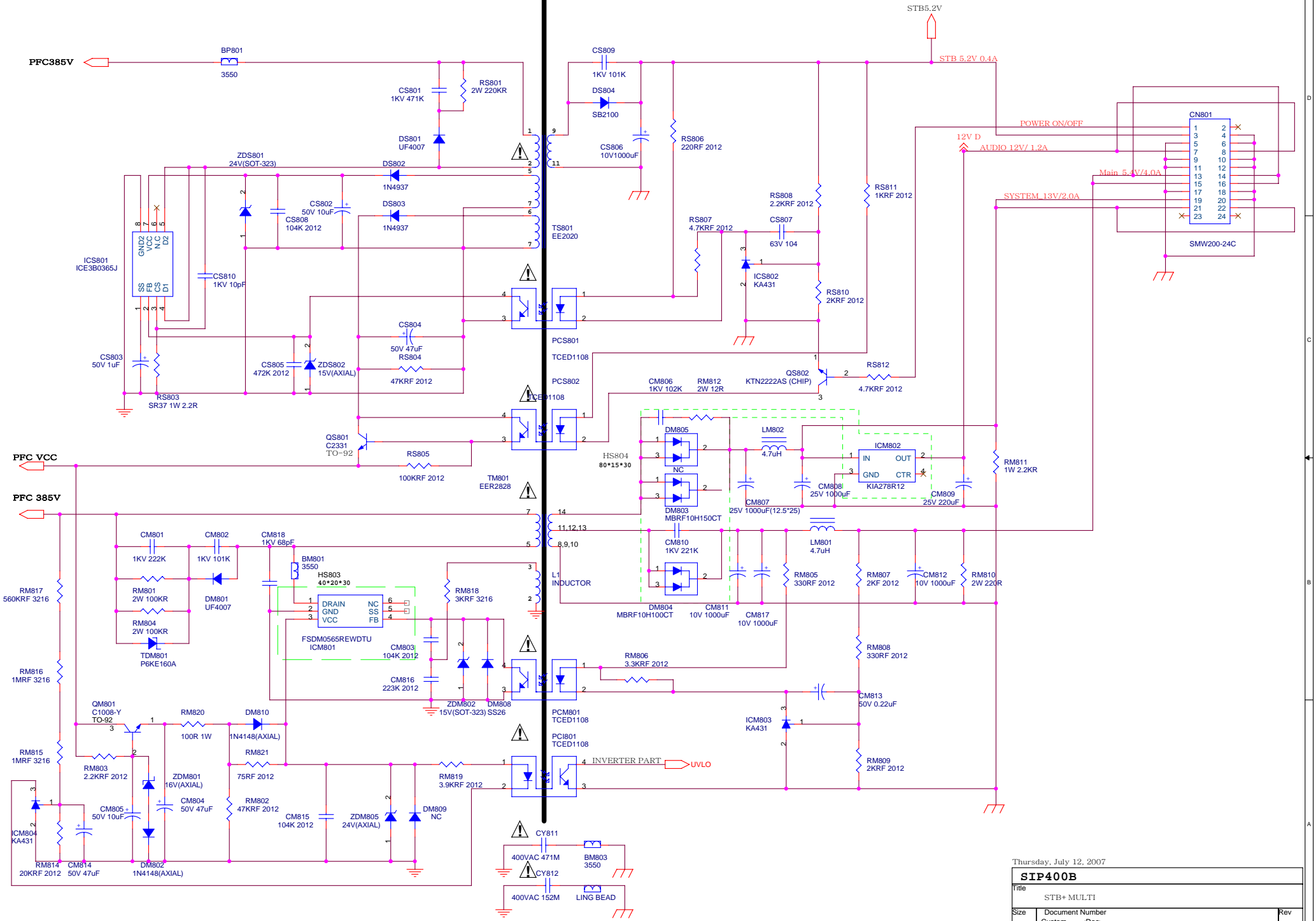


Thursday, July 12, 2007		
Title	PFC	
Size	Document Number	Rev
A3	<Doc>	
Date:	2006_06_07	Sheet 1 of 2

HOT COLD



Thursday, July 12, 2007

SIP400B	
Title STB+ MULTI	
Size Custom	Document Number <Doc>
Date:	Sheet 2 of 2

