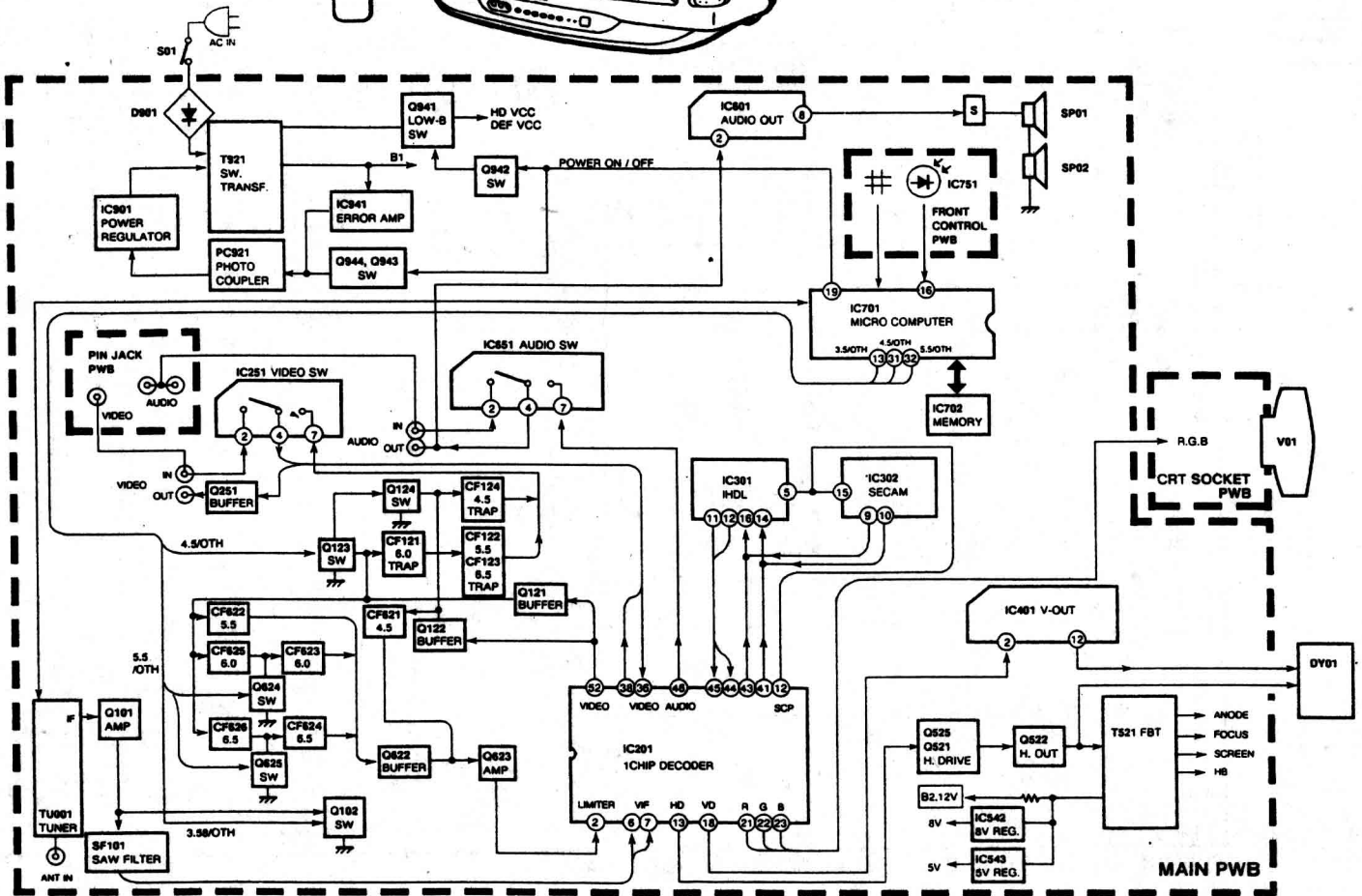
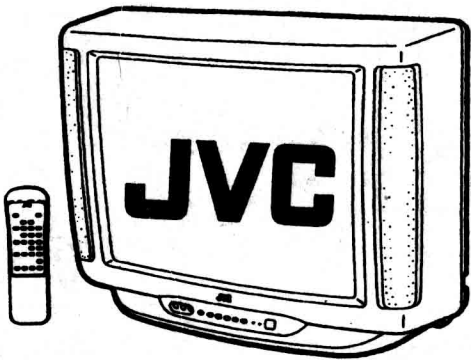


AV-G21T

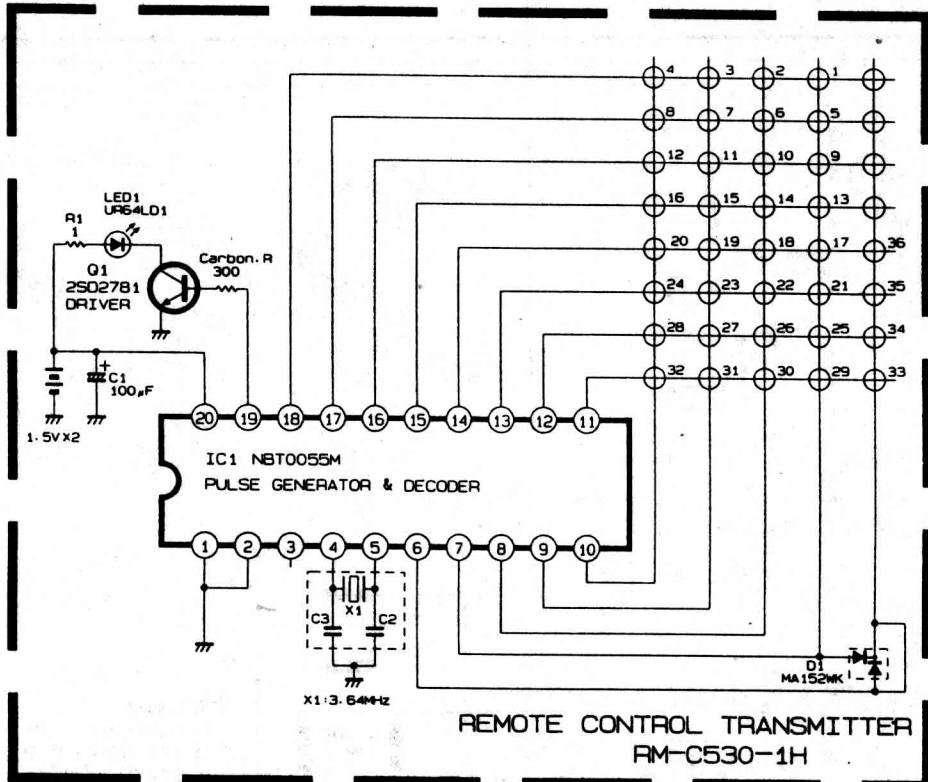
BASIC CHASSIS
CA²



REMOTE CONTROL TRANSMITTER CIRCUIT DIAGRAMS [RM-C530-1H]



REMOTE CONTROL TRANSMITTER CIRCUIT DIAGRAMS [RM-C530-1H]

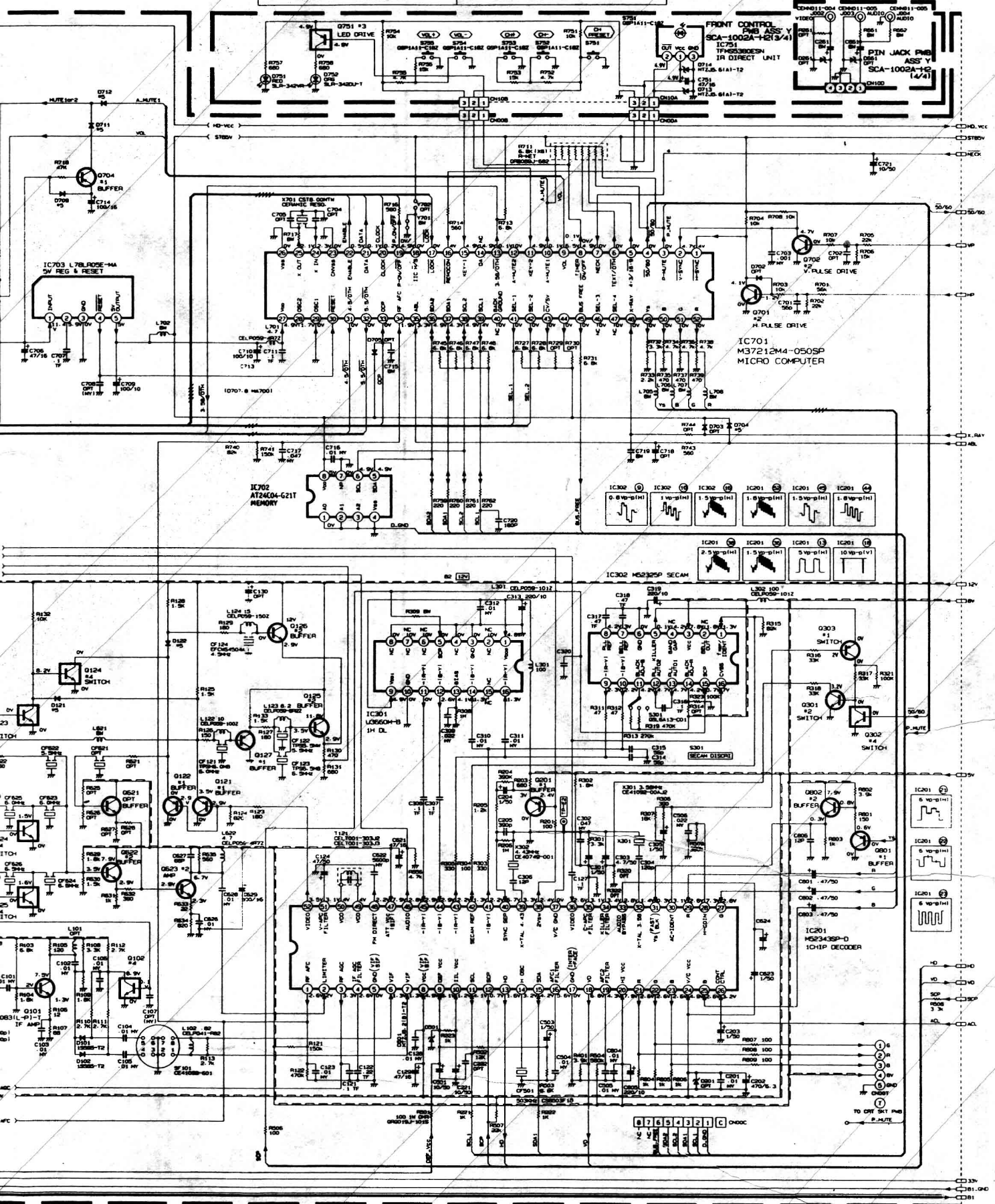


REMOTE CONTROL TRANSMITTER RM-C530-1H

KEY FUNCTION

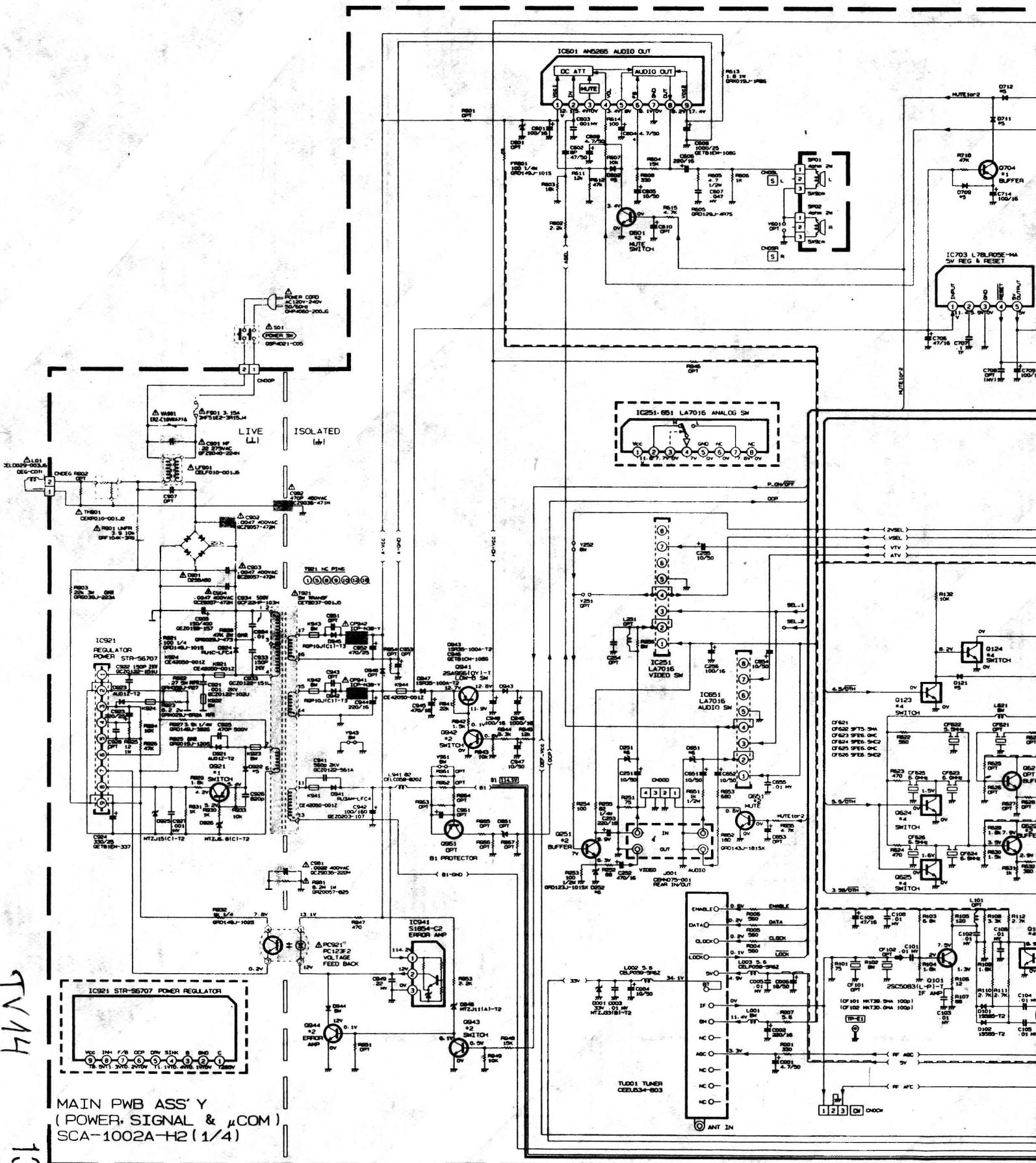
No.	Key name	No.	Key name	No.	Key name
1	TV/VIDEO	13	—	25	PICTURE MODE
2	—	14	4	26	PICTURE ADJUST (-)
3	—	15	5	27	PICTURE ADJUST
4	POWER	16	6	28	PICTURE ADJUST (+)
5	—	17	OFF TIMER	29	—
6	COLOUR SYSTEM	18	7	30	—
7	SOUND SYSTEM	19	8	31	—
8	—	20	9	32	MUTE
9	DISPLAY	21	—	33	VOLUME (+)
10	1	22	—	34	CHANNEL ▽
11	2	23	0	35	CHANNEL △
12	3	24	- / - -	36	VOLUME (-)

NOTE	*1 : PNP Tr	2SA933AS(OR)-T	*5 : SI DIODE	1SS133-T2
	*2 : NPN Tr	2SC1740S(OR)-T	*6 : ZENER DIODE	MTZJ131B1-T2
	*3 : PNP D-Tr	DTA124ESA-T	BW	BUS WIRE
	*4 : NPN D-Tr	DTC124ESA-T	OPT	NON-MOUNT (OPEN)

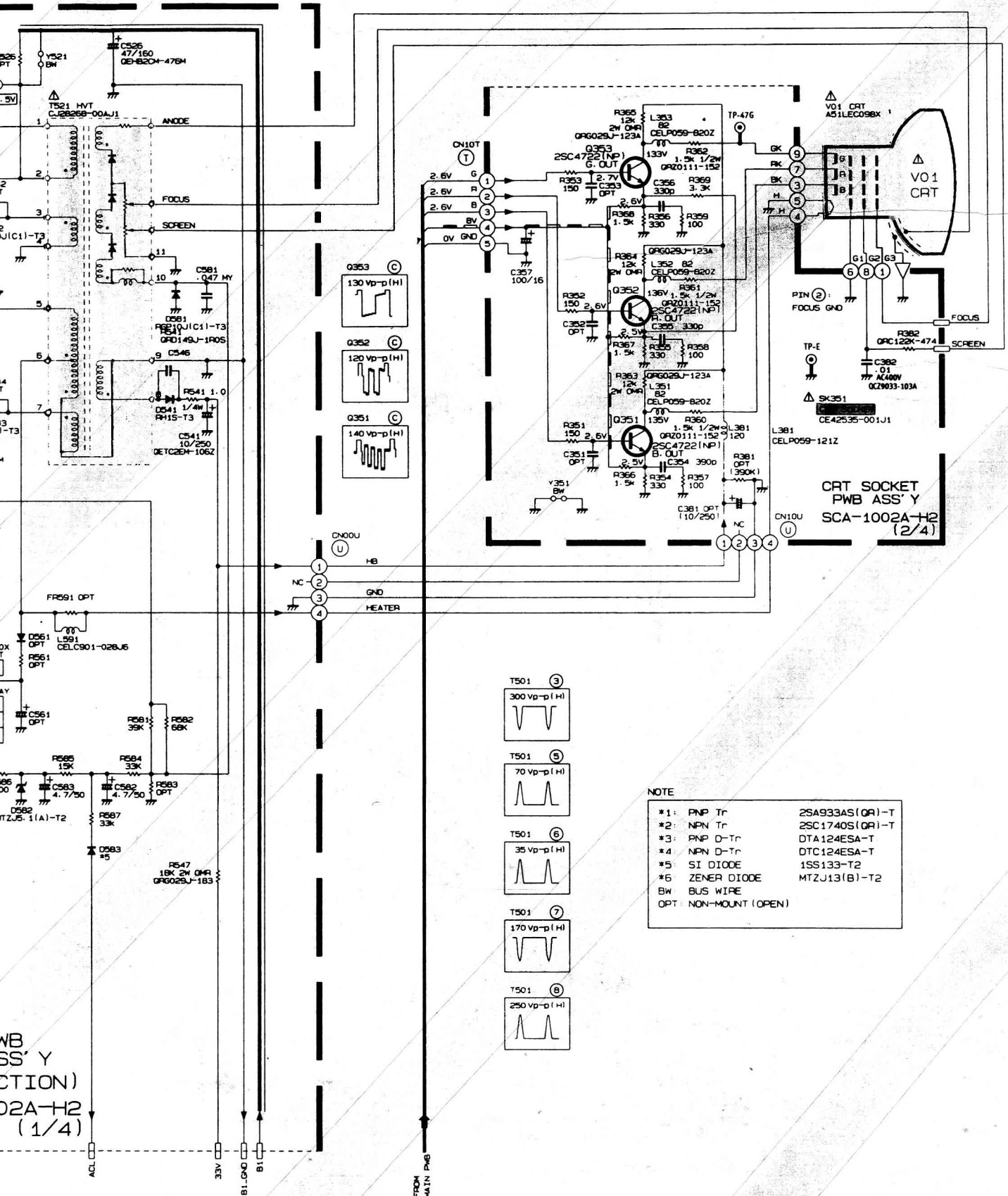


CIRCUIT DIAGRAMS AND PWB PATTERNS

MAIN PWB, CRT SOCKET PWB, FRONT CONTROL PWB, PIN JACK PWB CIRCUIT DIAGRAMS

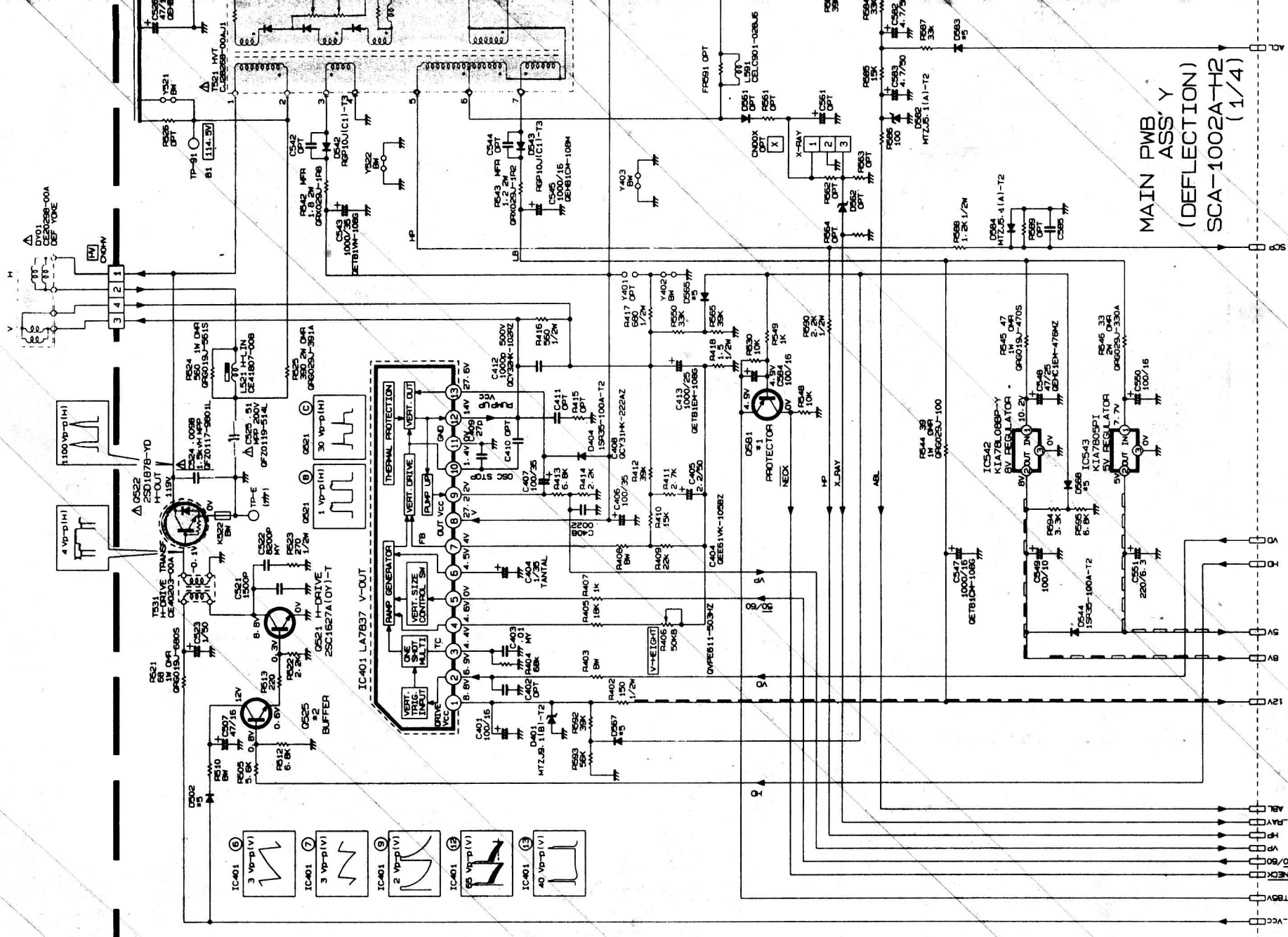


Refer to the following PWB pattern : MAIN PWB, CRT SOCKET PWB, FRONT CONTROL PWB, PIN JACK PWB PATTERN 2-11, 12page.



NOTE

- *1: PNP Tr 2SA933AS(QR)-T
- *2: NPN Tr 2SC1740S(QR)-T
- *3: PNP D-Tr DTA124ESA-T
- *4: NPN D-Tr DTC124ESA-T
- *5: SI DIODE 1SS133-T2
- *6: ZENER DIODE MTZJ13(B)-T2
- BW: BUS WIRE
- OPT: NON-MOUNT (OPEN)



MAIN PWB ASS'Y
(DEFLECTION)
SCA-1002A-H2
(1/4)