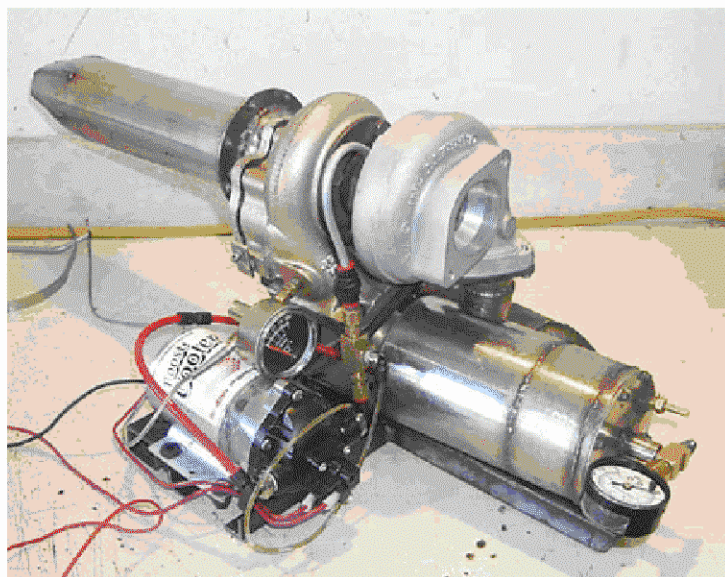
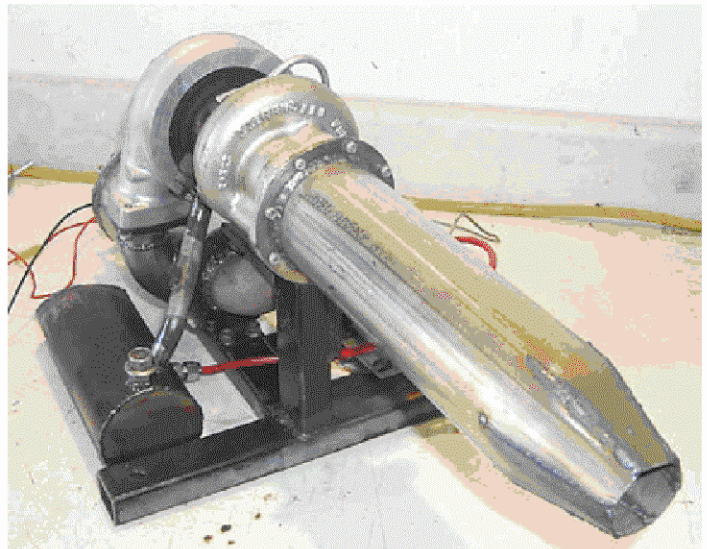
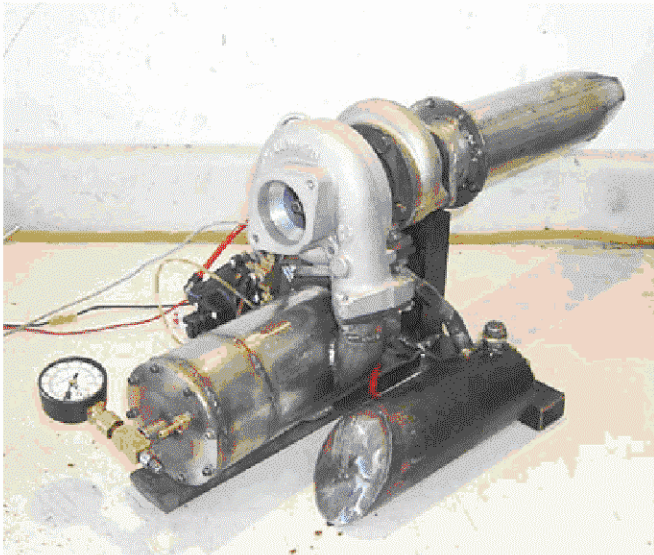


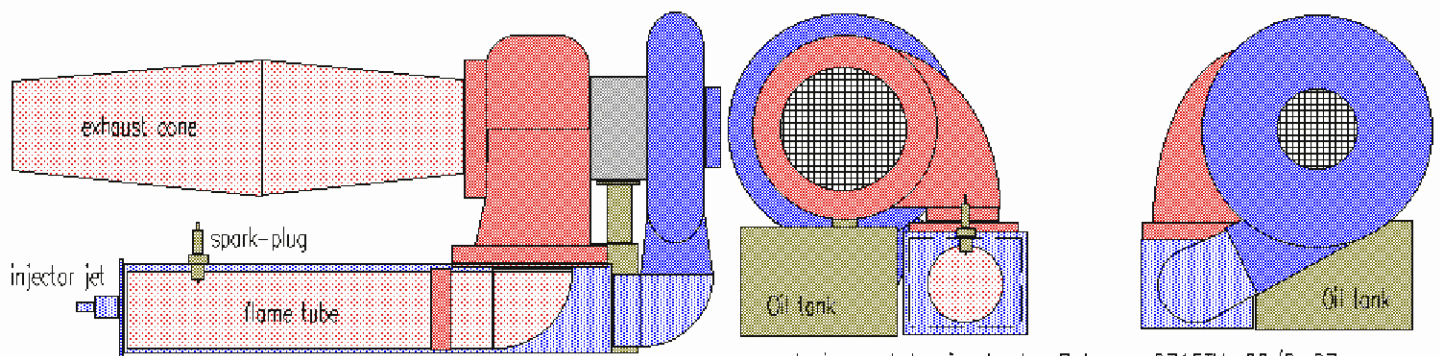
## Реализованные в металле образцы ТРД из ТКР



Сайт <http://ashspecz.com/Image%20Gallery/GasTurbineMK2-5/images/A-GASTURBINEMK25-1.jpg>  
и <http://www.twinturbo.net/nissan/300zx/forums/general/view/1641836/SZR--Z32-Turbocharger-based-Gas-Turbine-MK25.html>

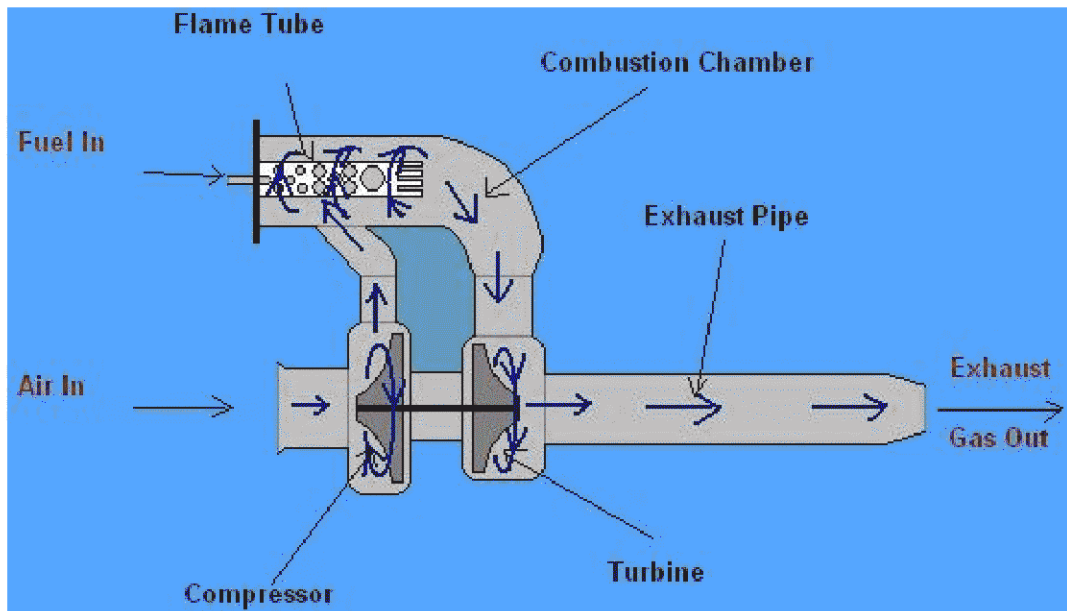
20/9-97

**Note the oil tank arranged under the turbine, that aloud us to fasten the tank directly to the drain line. the oil pump and motor will be installed behind the oil tank, (not shown on the drawing).High pressure diesel pump, fuel tank and motor will be mounted on top of the engine, the diesel tank will have a volume of about 5 liter (W25 x L20 x H10 cm)  
The hole engine will be mounted in a tube frame, so It easily can be implemented in a vehicle.**



design and drawing by Jan Petersen OZ1FTX 20/9-97

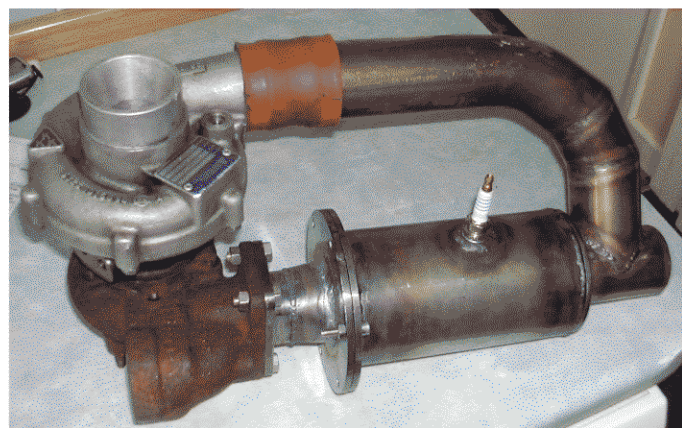
Сайт <http://www.pulse-jets.com/jetengine/jete.htm>



Сайт [http://cdiperformance.dm-enterprise.com/hov1\\_intro.php](http://cdiperformance.dm-enterprise.com/hov1_intro.php)



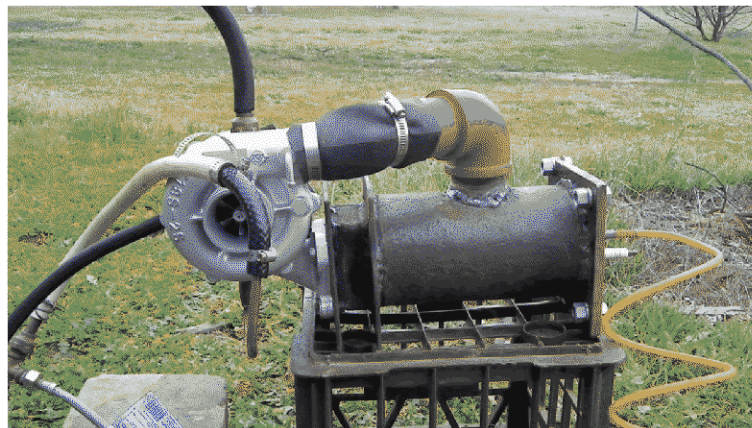
Сайт <http://www.instructables.com/id/How-to-build-your-own-Jet-Engine/step7/Assembling-the-combustion-chamber-bolting-it-toget>



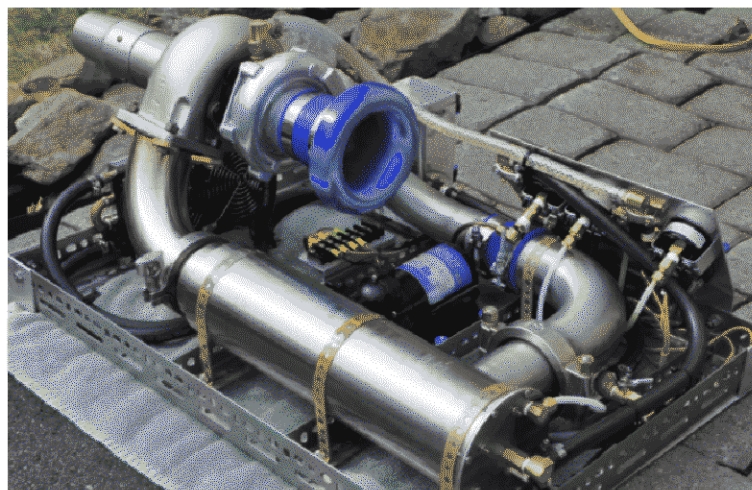
Сайт <https://www.scottbouch.com/turbogt.html>



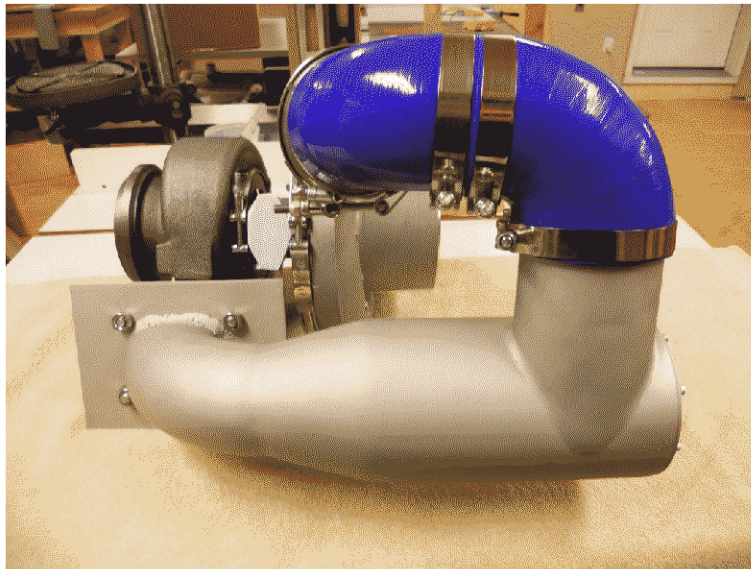
Сайт <http://www.enginewhisperer.com/wp/?tag=turbine>



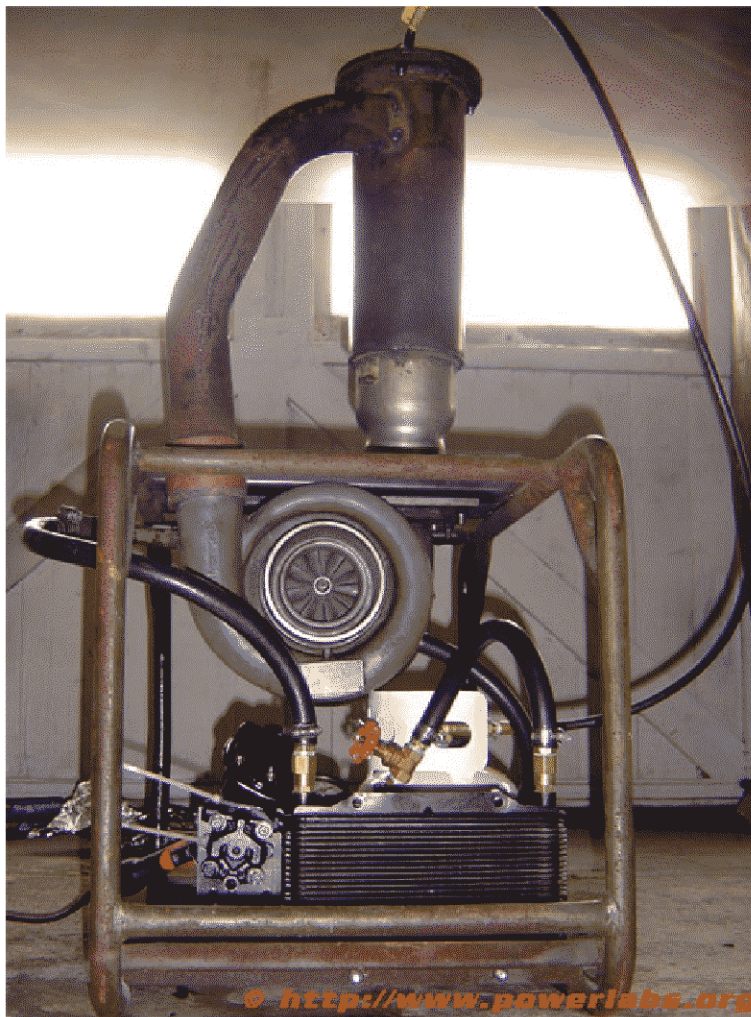
Сайт <http://www.instructables.com/id/Home-made-turbo-Jet/>



Сайт [http://electronics360.globalspec.com/images/assets/777/5777/Jet\\_Engine\\_01-fullsize.jpg](http://electronics360.globalspec.com/images/assets/777/5777/Jet_Engine_01-fullsize.jpg)



Сайт <http://tomkotech.com/the-build1.html>



Сайт <http://www.powerlabs.org/turbine.htm>