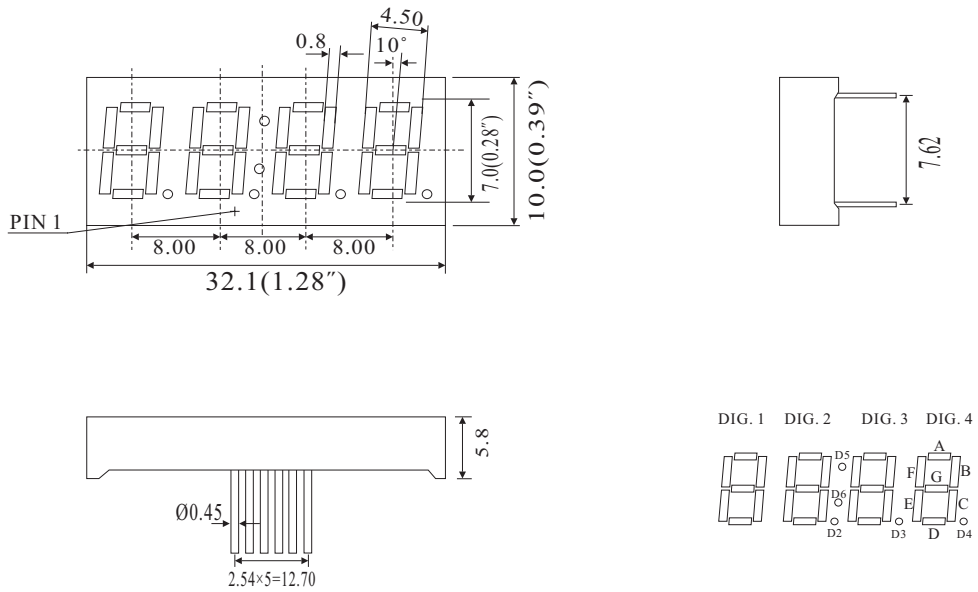


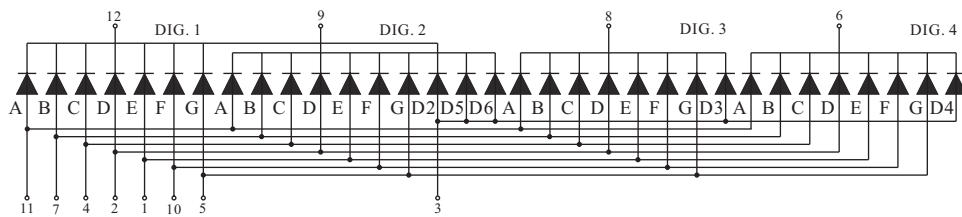
## PACKAGE DIMENSION

E40281

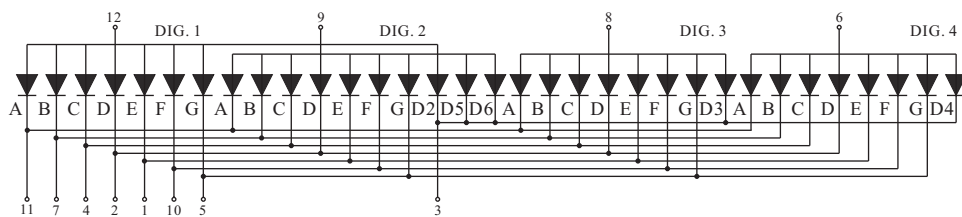


UNIT: MM(INCH) TOLERANCE:  $\pm 0.25(0.01")$

## INTERNAL CIRCUIT DIAGRAM



CODE L



CODE I