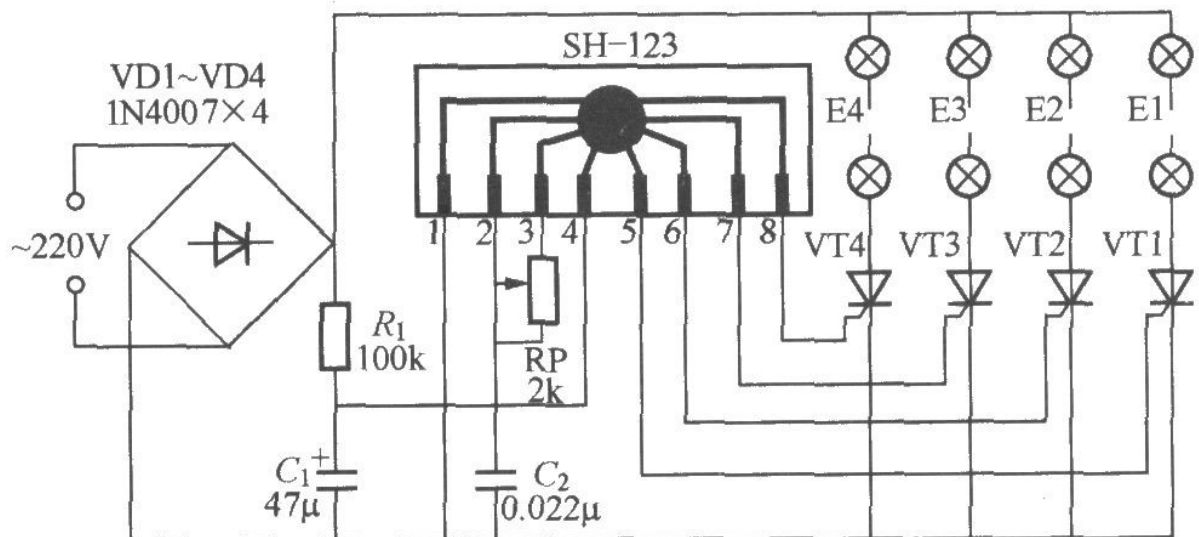
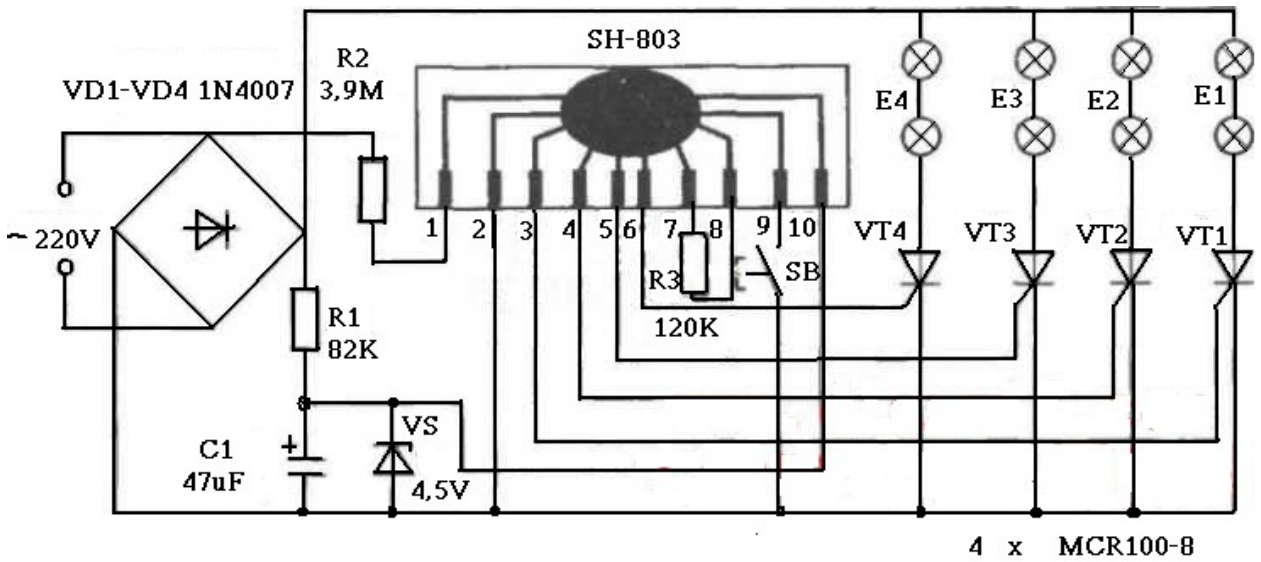


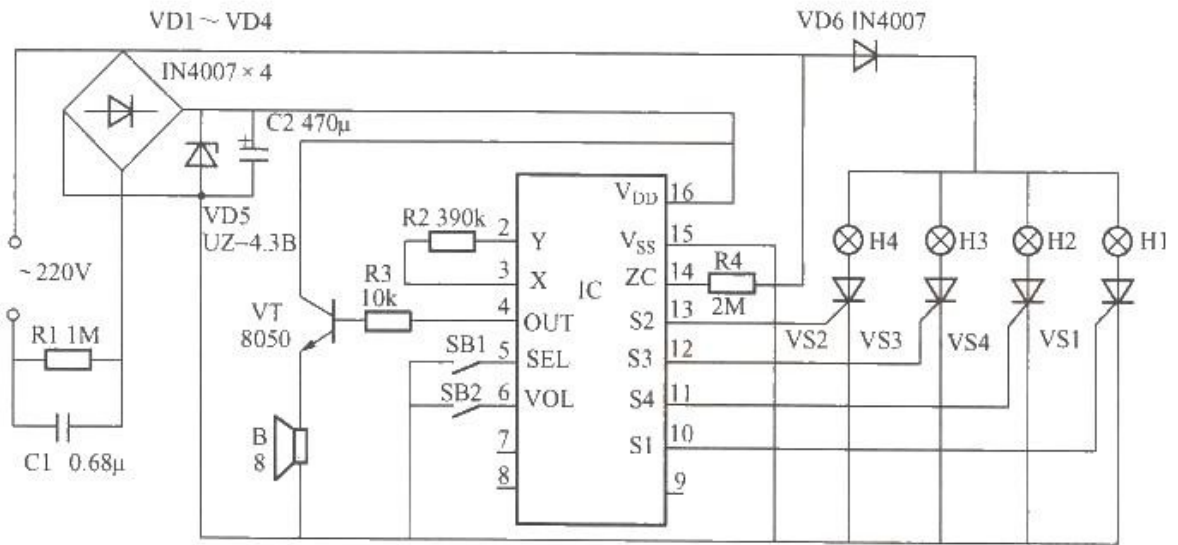
HFC-3040



SH-123
MCR100-8 tirisztor (1A/600V)



SH-803

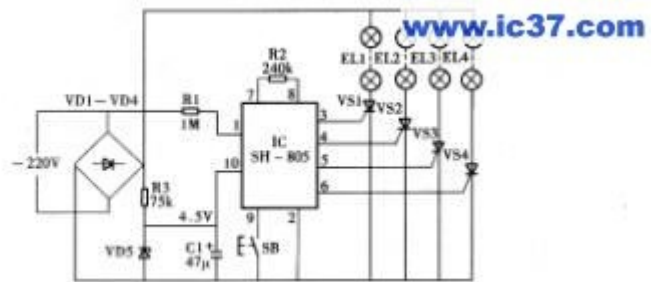


icmade.com

SC3160 light controller M8077 CMOS ic dip-16 4 x MCR100-8 thyristor



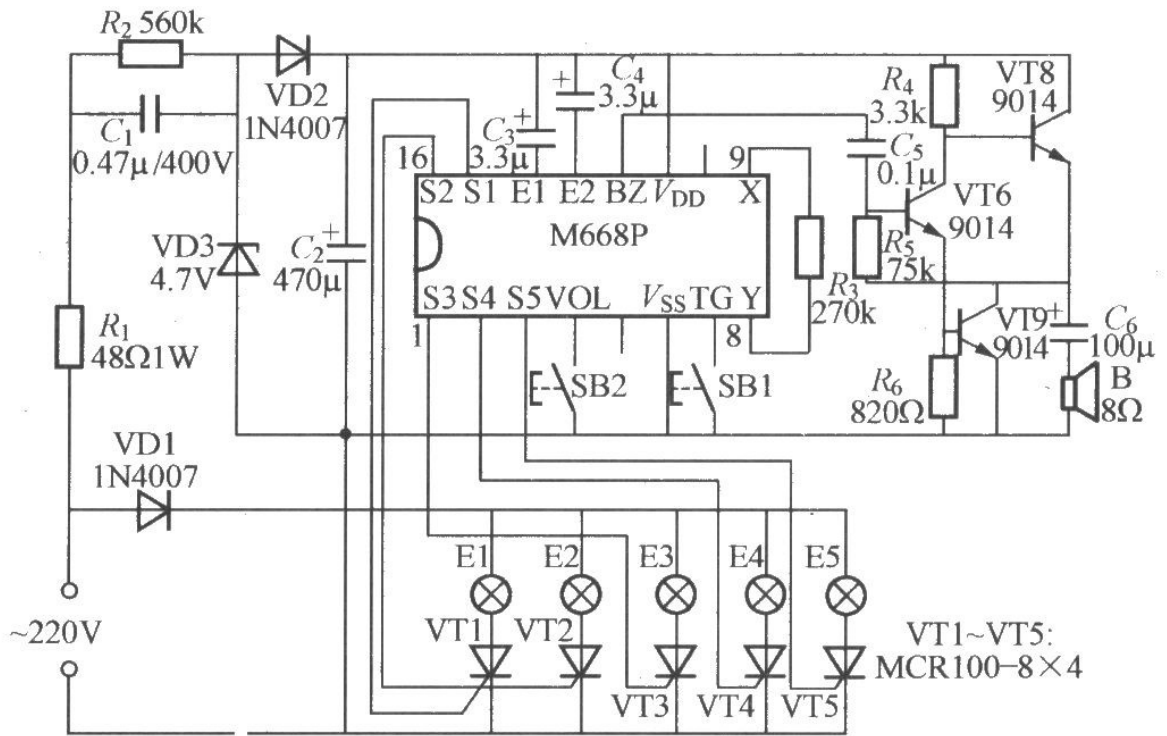
MCR100-6



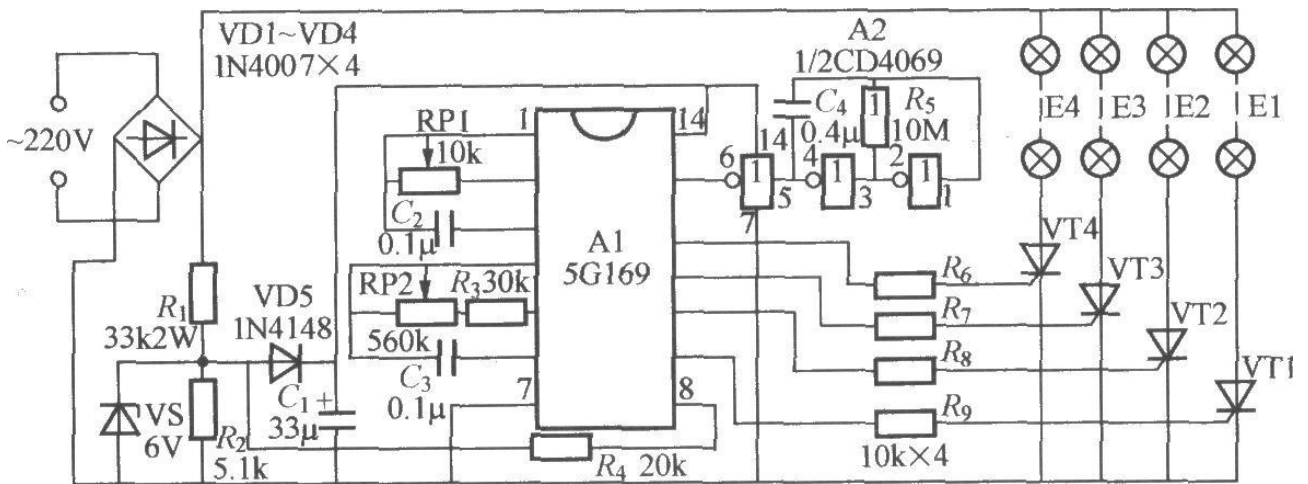
Pin out

SH-804	SH-805	SH804	SH805
6	7	1	2
7	8	2	3
8	9	3	4
9	10	4	5
10	1	5	6
			Vss
			L1
			L2
			L3
			L4

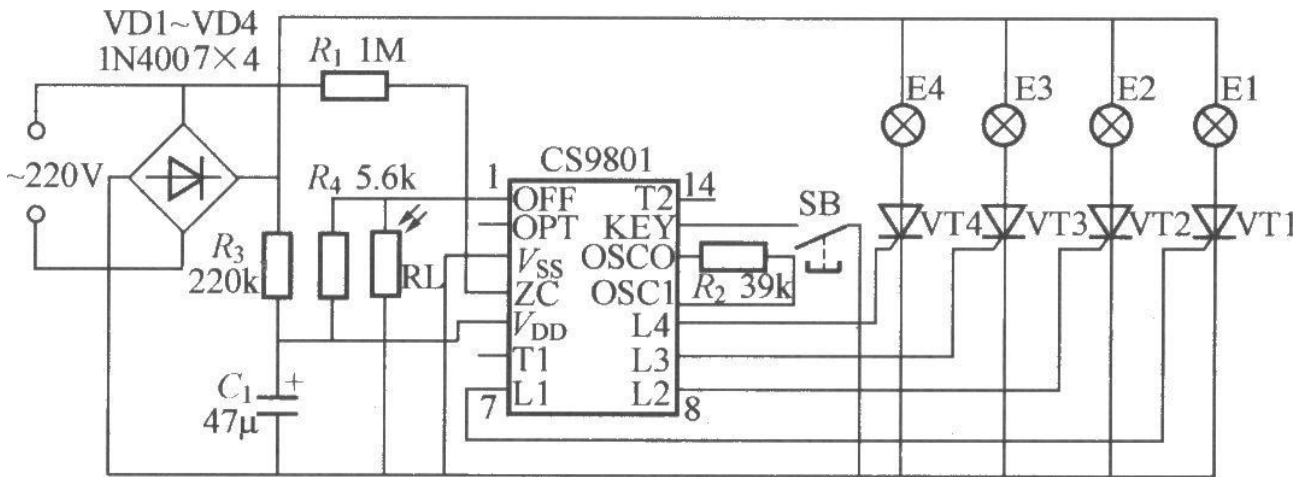
VD1-VD4 : 1N4007 , VD5:4.7V 1W (2CW102 - 4V7 , 1N4732A)
 SH-805 light controller
 (2N6565, MCR100-6 , MCR100 8, BT169)thyristor



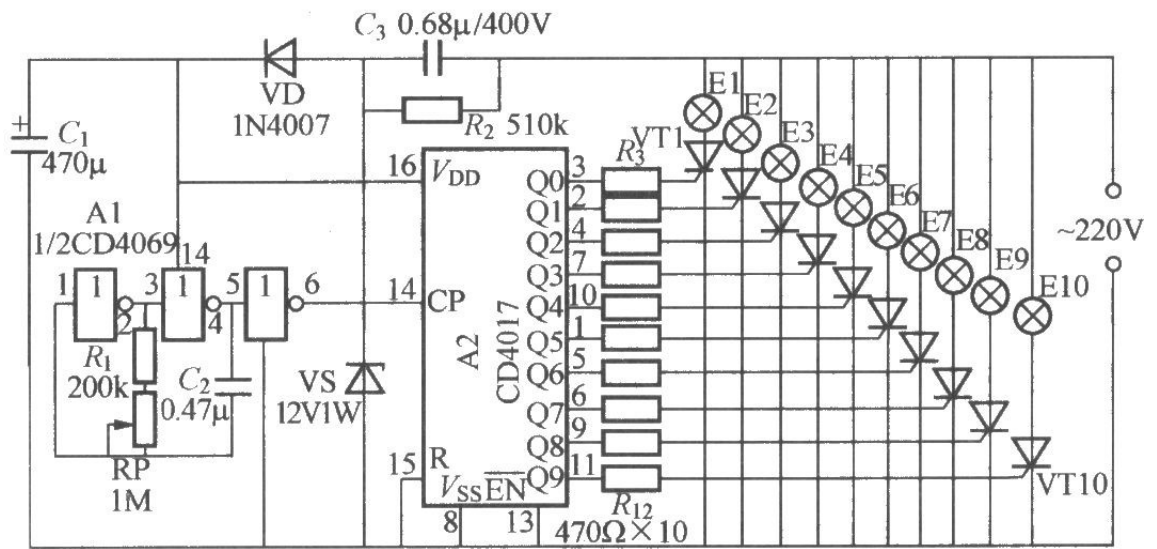
M668P dip-16



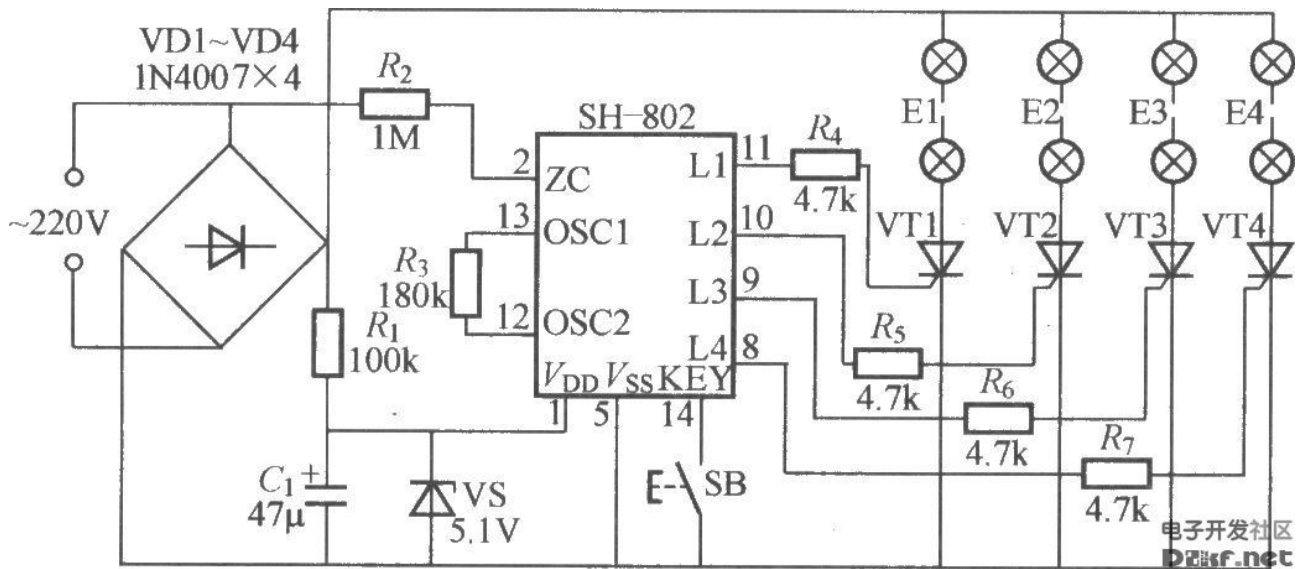
4 x MCR100-8 thyristor



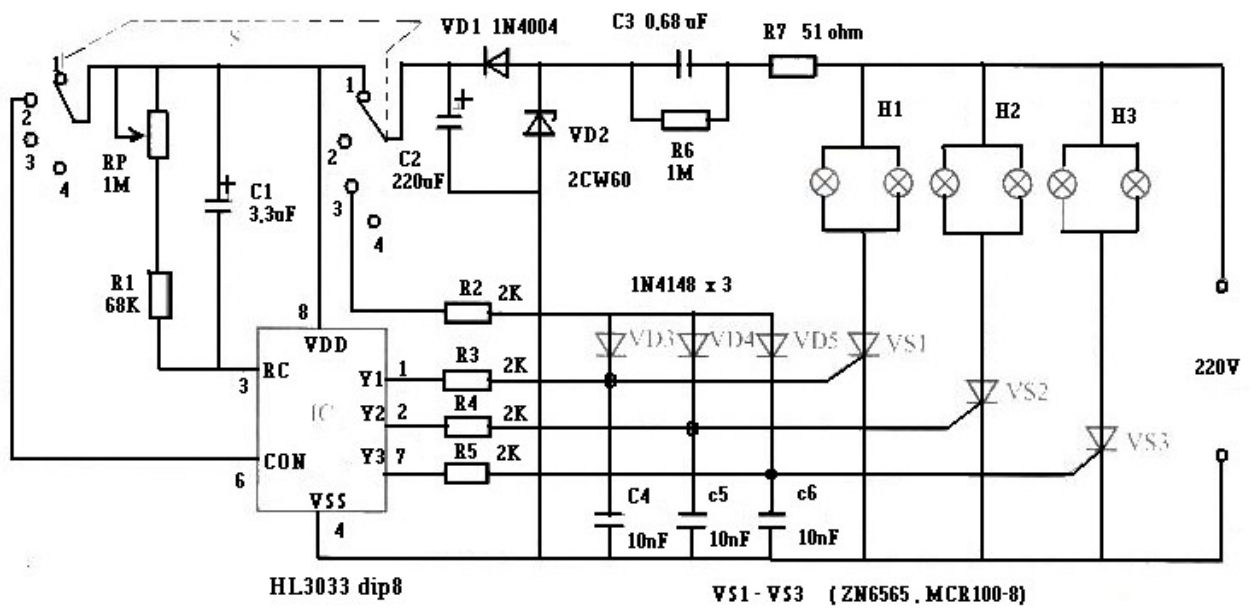
4 x MCR100-8 thyristor



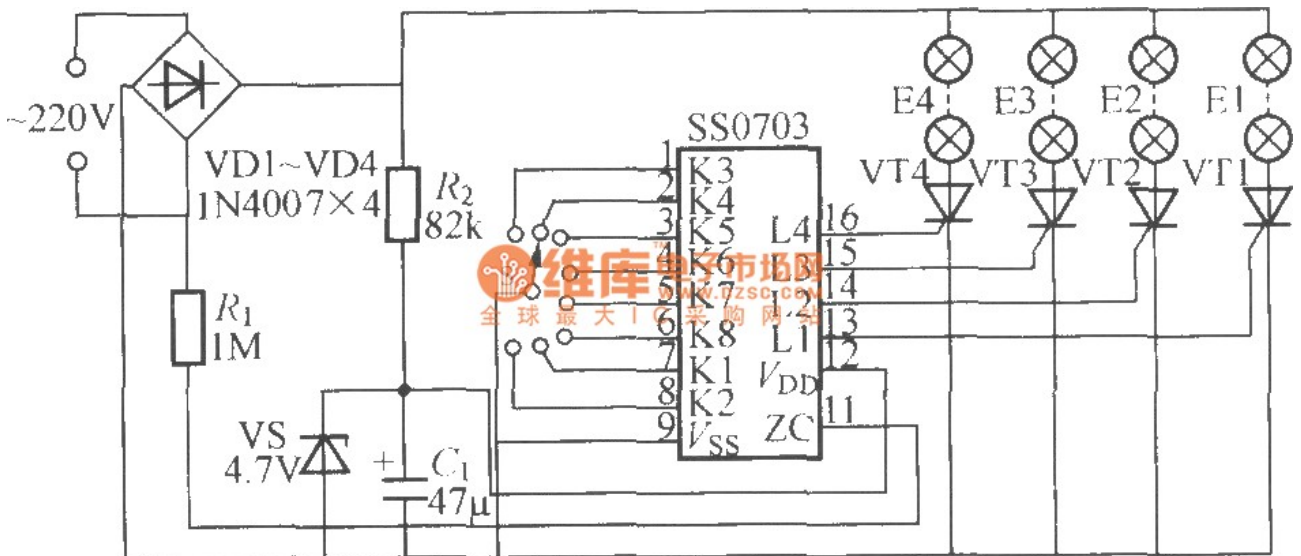
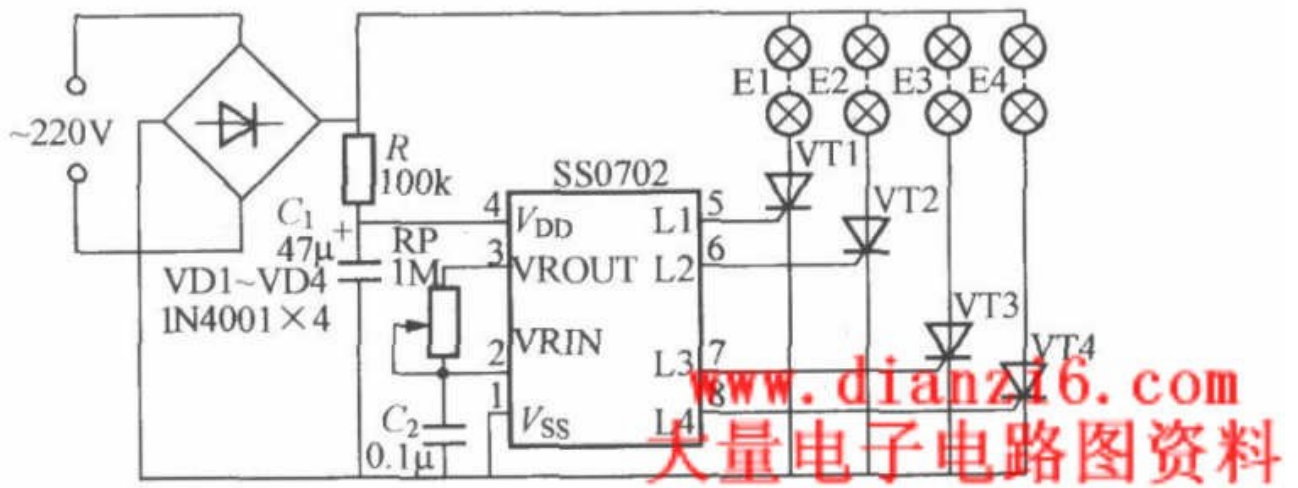
10 x MCR100-8 thyristor

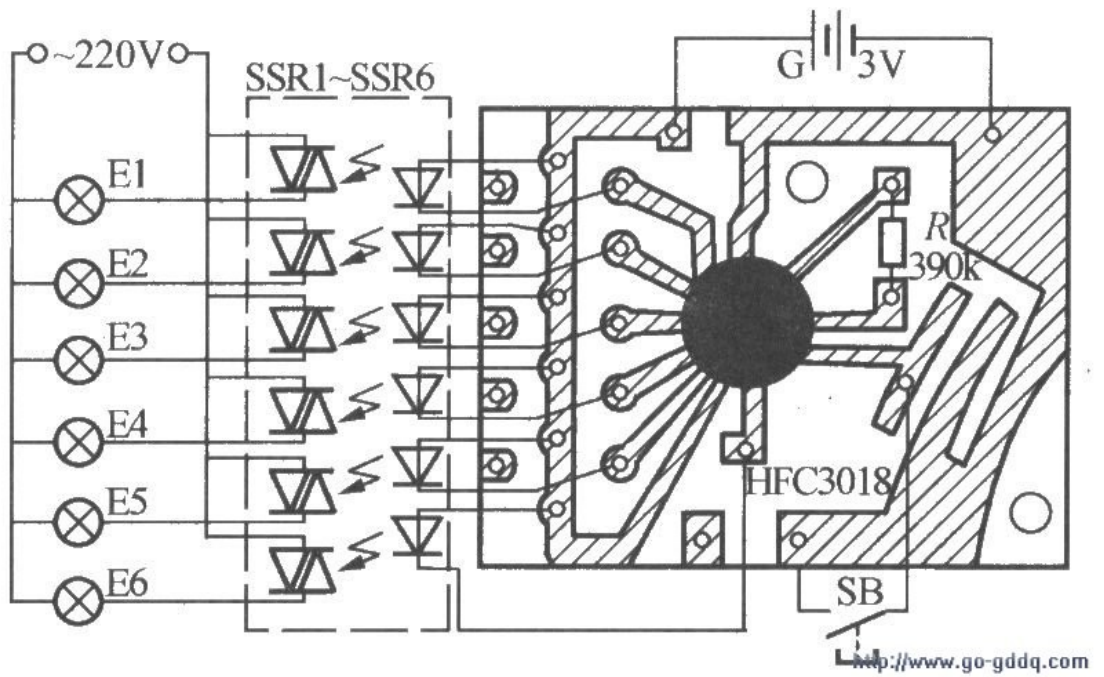
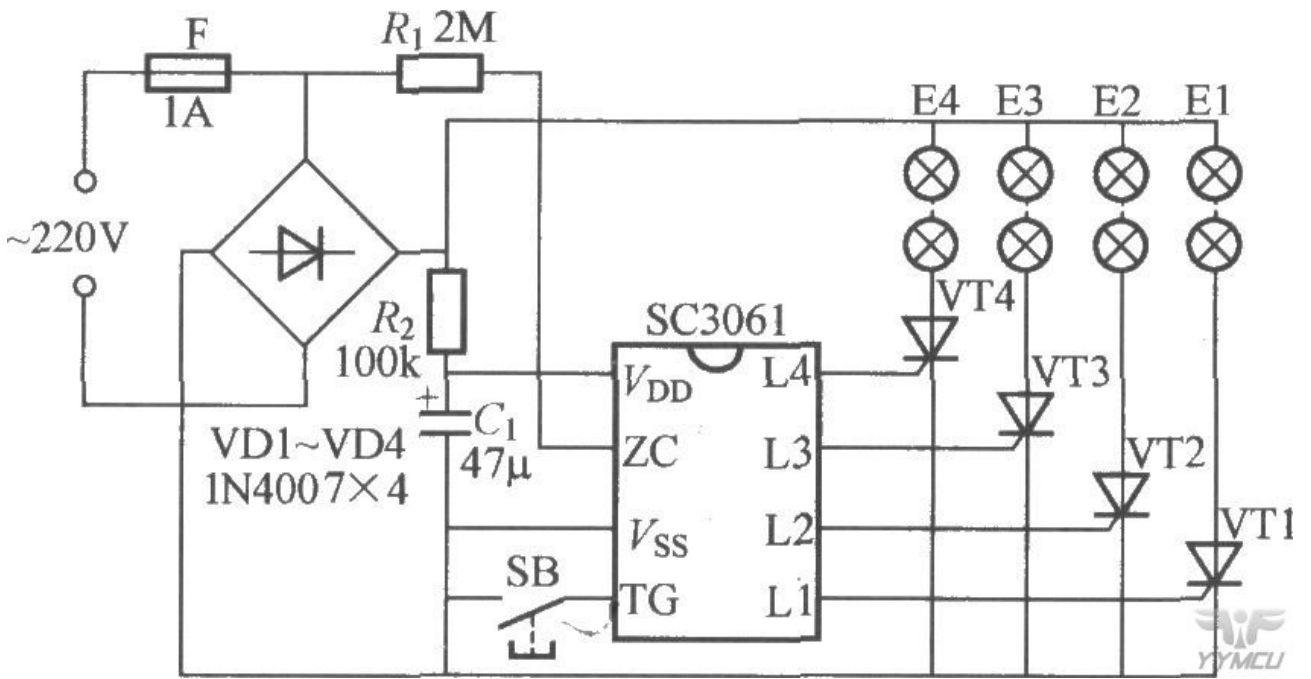


SH-802 4 x MCR100-8 thyristor

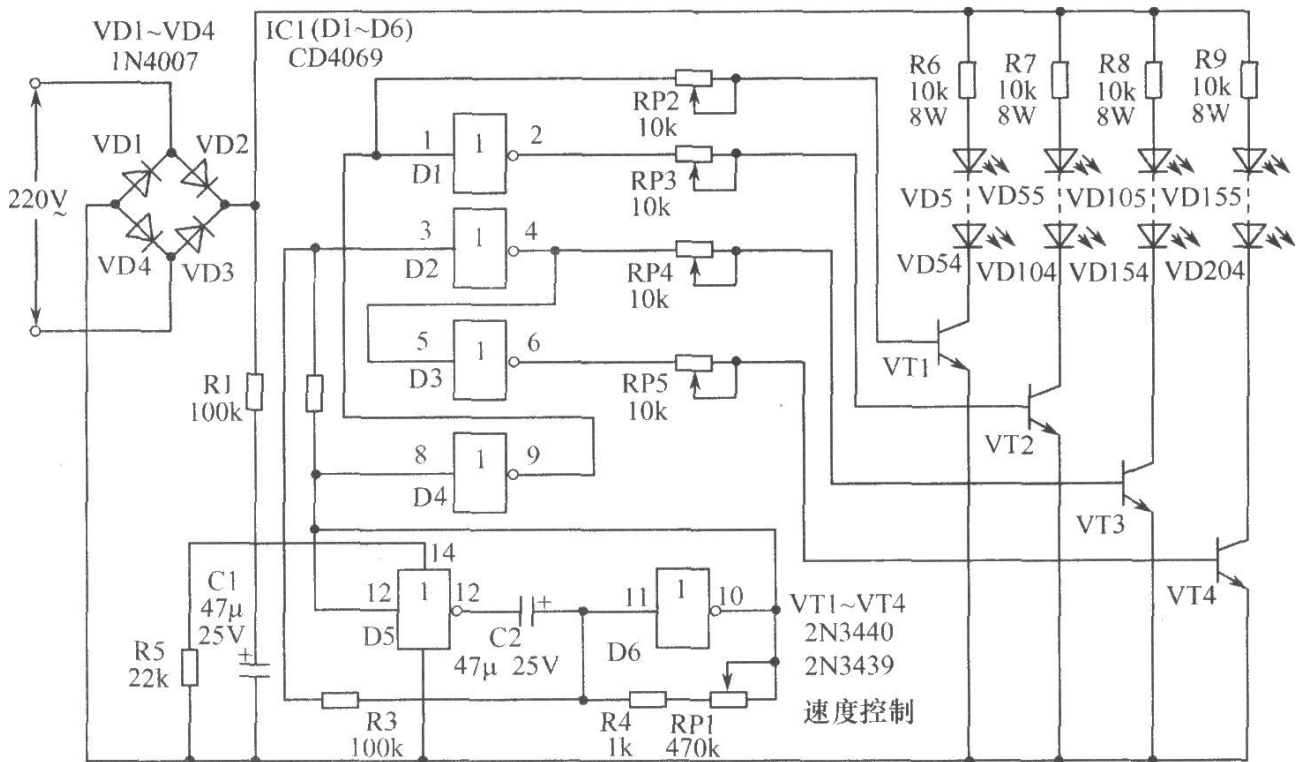
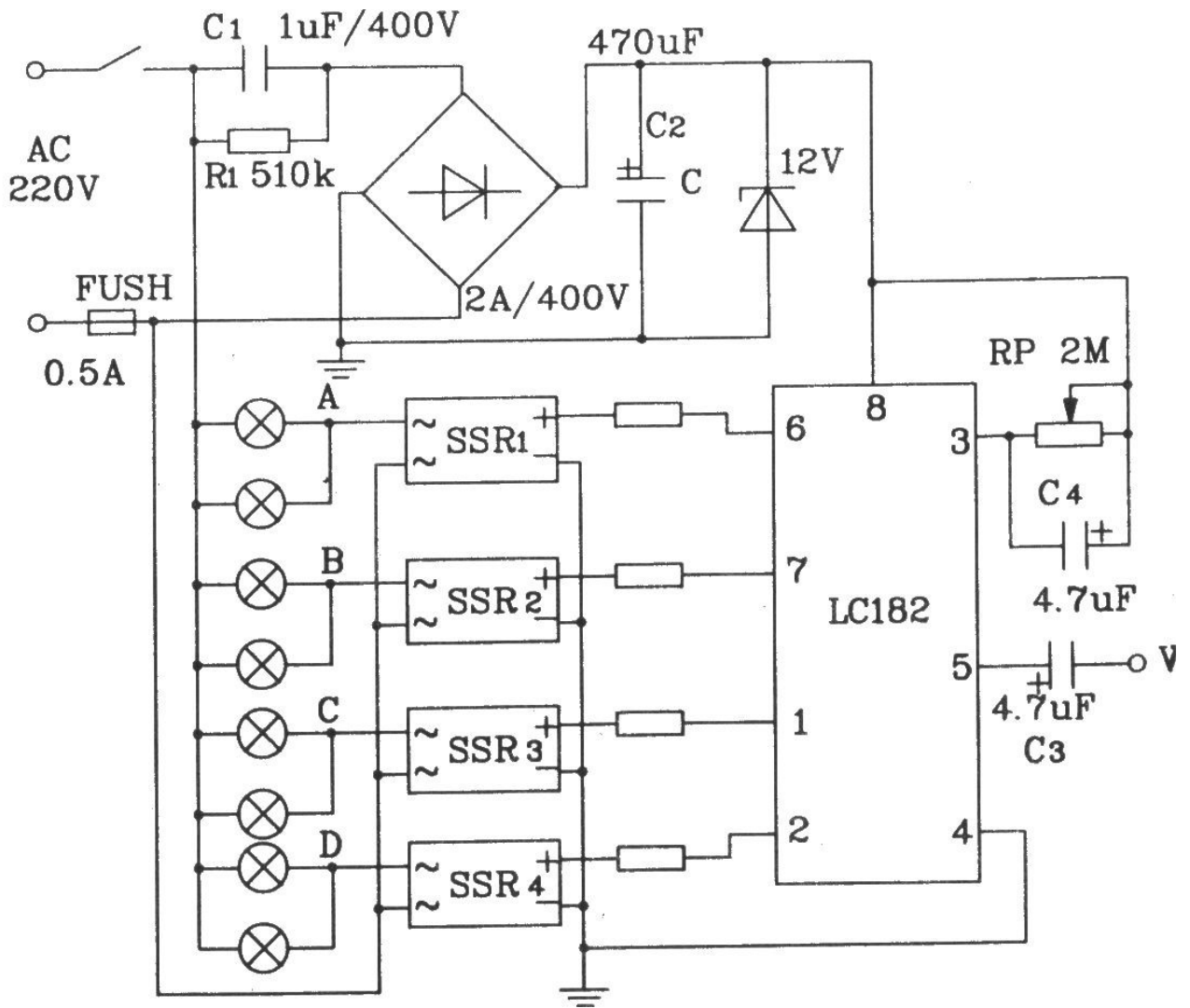


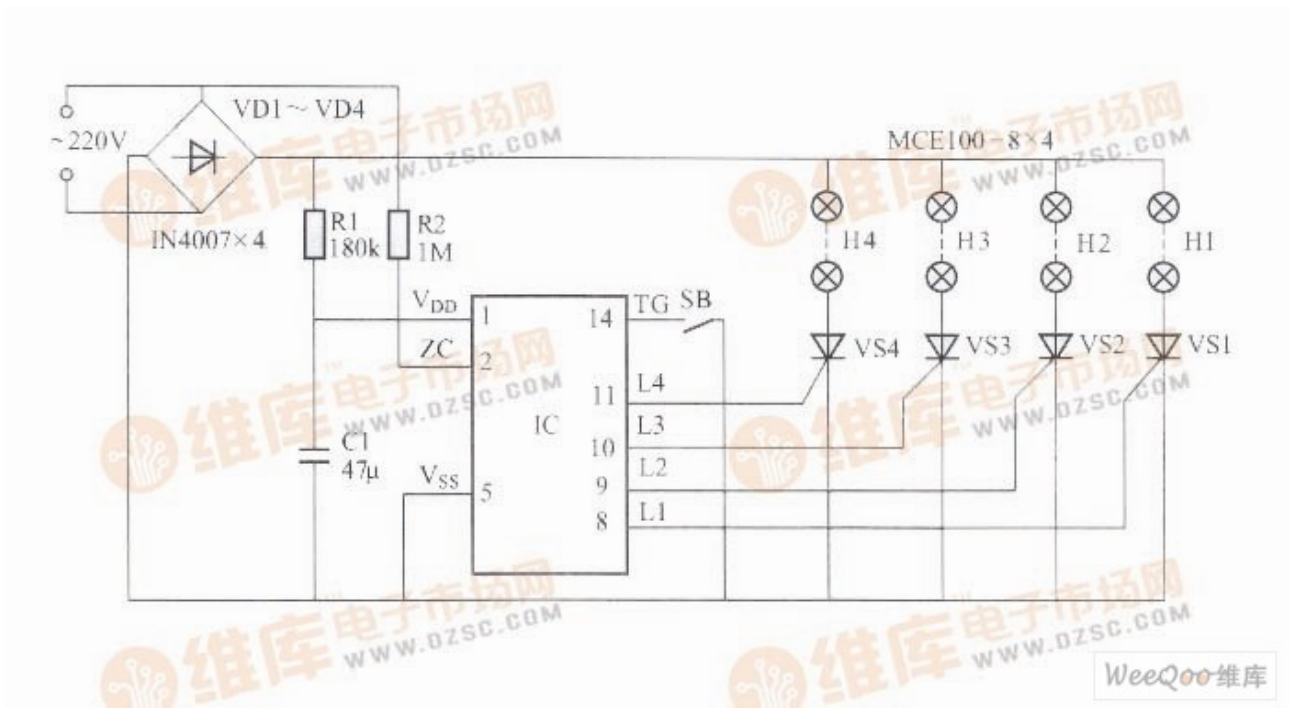
HL3033 4 x ZN6565, MCR100-8 thyristor (0,8 ~ ~ 1A/400 600V)



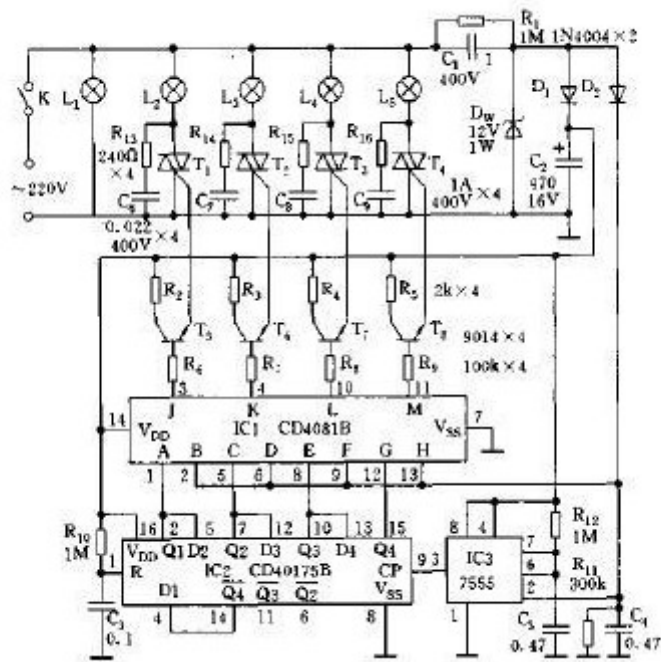


HFC3018 SSR1-SSR6:TAC081 type IC solid-state relays





ML80056B M80056B integrated 3.5V voltage regulator modules MCR100-8



L1-L5: 11W-15W

开关次数 灯组 (只)	1	2	3	4	5	6	7	8
L ₁ (1)	✓	✓	✓	✓	✓	✓	✓	✓
L ₂ (2)		✓	✓	✓	✓			
L ₃ (2)			✓	✓	✓	✓		
L ₄ (3)				✓	✓	✓	✓	
L ₅ (3)					✓	✓	✓	✓
白炽灯电功率/W	15	45	75	120	165	195	105	60
光通量/lm	110	330	550	880	1210	990	770	440
节能灯电功率/W	11	33	55	88	121	99	77	44
光通量/lm	780	2340	3900	6240	8580	7020	5460	3120