



Lampholder Product Catalog

High temperature ceramic sockets



Table of Contents

Introduction	2
Lamp Base Guide	4

PAR

PAR-1	7
PAR-2	8
PAR-3	9

Single End

G12	11
G22	12
G38	13
GY9.5	14
TP6R, TP7L, TP7R	15
TP23H, TP23L	16
TP27	17
TP22XL	18
TP220XL	19
TP22H	20
TP22H CE	21
TP30	22
TP40	23
TP41	24
Rim Mounts	25
TP20X	26
TP9A	27
TP120	29
TP120E	30
TP120R	31
TP56	32
TP57	33
TP61	34
TP99	35
S4	36
S48	37
S25	38
S25D, S25X	39
S7	40

Double End

S26	42
S26F	43
S26A	44
S26AF	45
S26C	46
S26D	47
S2	48
SFc10-4	49

Index	50
-------	----

IMPORTANT NOTICE

The data and suggested applications contained in this catalog, as well as any additional information our representatives may be able to furnish, are for general information only and are not intended and should not be taken as representations or warranties as to the suitability of a lampholder for any particular application or use in any particular equipment, nor are our representatives authorized to make any such representations or give any such warranties. Applications and conditions of use are many and varied and beyond our control. We do not have the same degree of knowledge that the purchaser has with respect to the design of his equipment and the conditions of its use. Therefore, it is up to the purchaser to make his own determination as to the suitability of a lampholder for his intended application or use and to assume responsibility for that determination.

OSRAM SYLVANIA claims to supply the best possible products at all times. For this reason, OSRAM SYLVANIA reserves the right to make changes in its products when it believes such changes will improve its products.

The specifications and information shown in this catalog are believed to be accurate. Although OSRAM SYLVANIA believes this

information to be correct, no warranty is made or implied as to the accuracy of this information and OSRAM SYLVANIA does not accept or assume responsibility of liability for errors, changes, omissions, or for harm resulting therefrom.

In accordance with our established policy to consistently improve our products, the specifications contained herein are subject to change without notice.

OSRAM SYLVANIA lampholders are designed and manufactured to meet relevant Underwriters Laboratories (UL) and Canadian Standards Association (CSA) safety standards. Ratings may change as a result of changes made to remain compliant with modified or updated standards. OSRAM SYLVANIA will release new or updated technical bulletins when appropriate. All product data presented in this catalog supersedes all data published before March 1, 2012.

Many OSRAM SYLVANIA products listed in this catalog qualify under the North American Free Trade Agreement (NAFTA) as manufactured in Canada, the United States of America or Mexico.

Maximize the life of your lamps.

Lampholders, also referred to as 'sockets', are key drivers of performance in any lighting system, and provide a safe, reliable connection to an electrical power source.

OSRAM provides a variety of lampholders for:

- Tungsten Halogen lamps
- Metal Halide (discharge) lamps
- Incandescent lamps
- Fluorescent lamps

Features & Benefits

- High quality, long lasting lampholders specifically designed for high temperature lamps
- Variety of wire types, lead wire lengths and gauges
- Majority of types incorporate a two-piece patented contact system for superior mating with lamp contacts:
 - Solid nickel contacts and high temperature stainless steel backer springs
 - Contacts "float" inside ceramic lampholder to maximize dimensional tolerances (spacing and diameter)
 - Ceramic housing provides superior electrical and thermal insulation
- Many lampholders for metal halide (discharge) lamps are Pulse Rated for Hot Re-Strike
- OSRAM provides UL (Underwriters Laboratories) Recognized and CSA (Canadian Standards Association) Certified lampholders



Applications

ENTERTAINMENT

- Film & TV Production
- Theater, Concerts, Clubs
- Video, Photography & Studio
- Architectural/Architainment
- Houses of Worship

MEDICAL

- Surgical Overhead Lighting

GENERAL LIGHTING

- Store Displays
- Factories/Large Indoor Facilities

INDUSTRIAL

- Airfield/Aircraft
- Air/Water Purification

Stocking Program and Made-To-Order Lampholders

In addition to stocked socket inventories (marked by asterisks), OSRAM also offers a wide selection of made-to-order socket types.

Made-to-order types include options in lead length, wire gauge, and wire insulation (heat/volt rating). **Please allow up to 6 weeks for lead time.**

Custom enhancements such as mounting brackets and other hardware also available.

Please contact your OSRAM SYLVANIA representative for made-to-order and custom enhancement types. Or you can email us at lampholders@sylvania.com for details.



WIRE TYPES

Wire Type UL Standard (CSA Standard)	Insulation Description	Rating Voltage (rms)	Temperature °C
ULSFF1 (SEWF-1)	Silicon rubber with fiberglass jacket	300	150
ULSF1 (SEW-1)	Silicon rubber with fiberglass jacket	300	200
UL1180	PTFE (Teflon®)	300	200
ULSF2 (SEW-2)	Silicon rubber with fiberglass jacket	600	200
UL1199	PTFE (Teflon)	600	200
UL3512	Silicon rubber	600	200
UL3239	Silicon rubber	5000	200
UL1726	PFA (Teflon)	300	250
UL1659	PTFE (Teflon)	600	250
UL3252	Silicon rubber with fiberglass jacket	600	250
UL5256	TGGT Teflon tape with fiberglass jacket	600	250
UL5359	MGT Mica/glass tape with fiberglass jacket	600	450
UL5446	Fiberglass/Resin	600	300
UL10362	PTFE (Teflon)	600	300

ORDERING INFORMATION

When ordering please specify:

Product Number:

i.e. 69367 for GY9.5 24IN/18GA/UL3239

- Lead lengths are measured from where the wire exits the lampholder

ORDERING GUIDE

Lampholder Type	Lead (wire) Length in inches	Wire Gauge (AWG)	Wire Type Underwriters Laboratories Standard
GY9.5	24IN/	18GA/	UL3239

PAR-1

Specifications:

Maximum Wattage	1000 W
Maximum Voltage	250 V
Maximum Operating Temperature	300° C
Qualifications	UL Recognized – E31557 CSA Certified – LR20904
Body Material	Steatite with Aluminum Cover
Contact Material	Nickel
Wire Leads	AWG 18/16/14, 300 V/105° C minimum
Lamp Types	PAR 56 and 64 lamps

Most robust
PAR socket in the industry



PAR

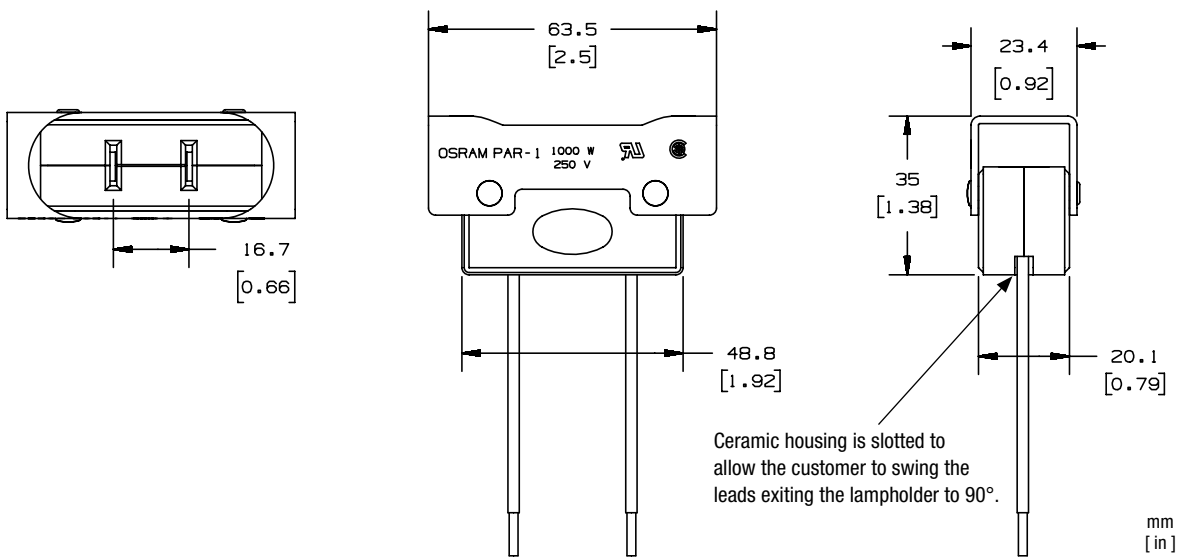
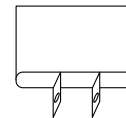
ORDERING INFORMATION

Product Number	Product Description	Wire Gauge/Type/Color	Wire Length (inches)	Case / SKU Qty Qty
69636	PAR1 8IN/16GA/ULSF2	AWG16/ULSF2/White	8	100 / 100
69635	PAR1 12IN/16GA/ULSF2	AWG16/ULSF2/White	12	100 / 100
69630	PAR1 18IN/16GA/ULSF2	AWG16/ULSF2/White	18	100 / 100
69633	PAR1 21IN/16GA/UL5256	AWG16/UL5256/Natural	21	100 / 100
69634	PAR1 24IN/16GA/ULSF2	AWG16/ULSF2/White	24	100 / 100
69632	PAR1 36IN/16GA/ULSF2	AWG16/ULSF2/White	36	100 / 100
69638	PAR1 36IN/18GA/ULSF2	AWG18/ULSF2/White	36	100 / 100
69013*	PAR1 48IN/16GA/ULSF2	AWG16/ULSF2/White	48	50 / 10
69631	PAR1 48IN/16GA/ULSF2	AWG16/ULSF2/White	48	100 / 100

*Included in Stocking Program. Other types are made-to-order.

LAMP BASE:

Mogul and Extended Mogul End Prong GX16d



PAR-2

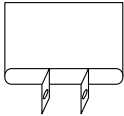


Specifications:

Maximum Wattage	1000 W
Maximum Voltage	250 V
Maximum Operating Temperature	300° C
Qualifications	UL Recognized – E31557 CSA Certified – LR20904
Body Material	Steatite
Contact Material	Nickel
Wire Leads	AWG 18/16/14, 300 V/105° C minimum
Lamp Types	PAR 56 and 64 lamps

LAMP BASE:

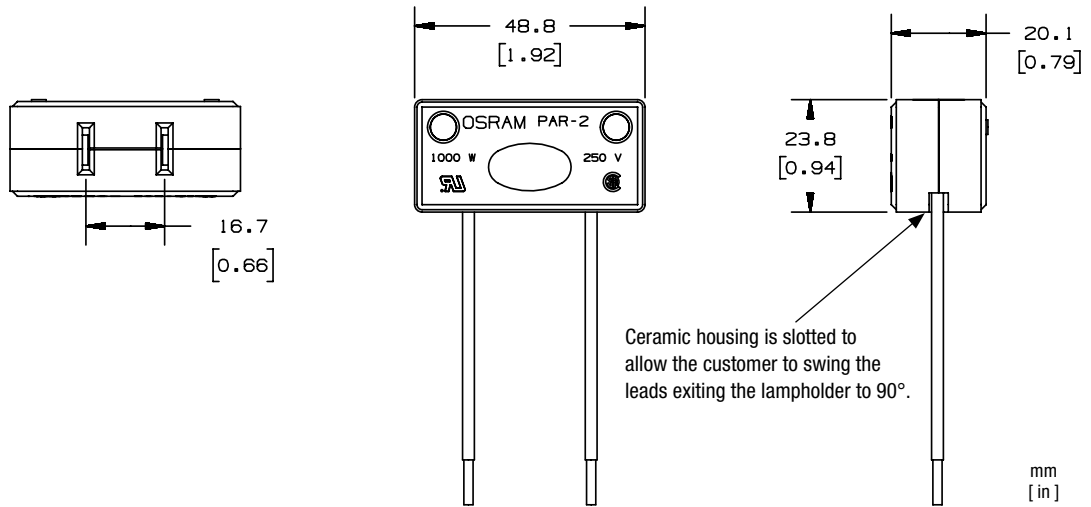
Mogul and Extended Mogul End Prong GX16d



ORDERING INFORMATION

Product Number	Product Description	Wire Gauge/Type/Color	Wire Length (inches)	Case / SKU Qty Qty
69639	PAR2 36IN/18GA/ULSF2	AWG18/ULSF2/White	36	100 / 100
69640	PAR2 48IN/18GA/ULSF2	AWG18/ULSF2/White	48	100 / 100

All types are made-to-order.



PAR-3

Specifications:

Maximum Wattage	500 W
Maximum Voltage	250 V
Maximum Operating Temperature	300° C
Qualifications	UL Recognized – E31557 CSA Certified – LR20904
Body Material	Steatite
Contact Material	Nickel
Wire Leads	AWG 18/16/14, 300 V/105° C minimum
Lamp Types	PAR 38 and 46 lamps



PAR

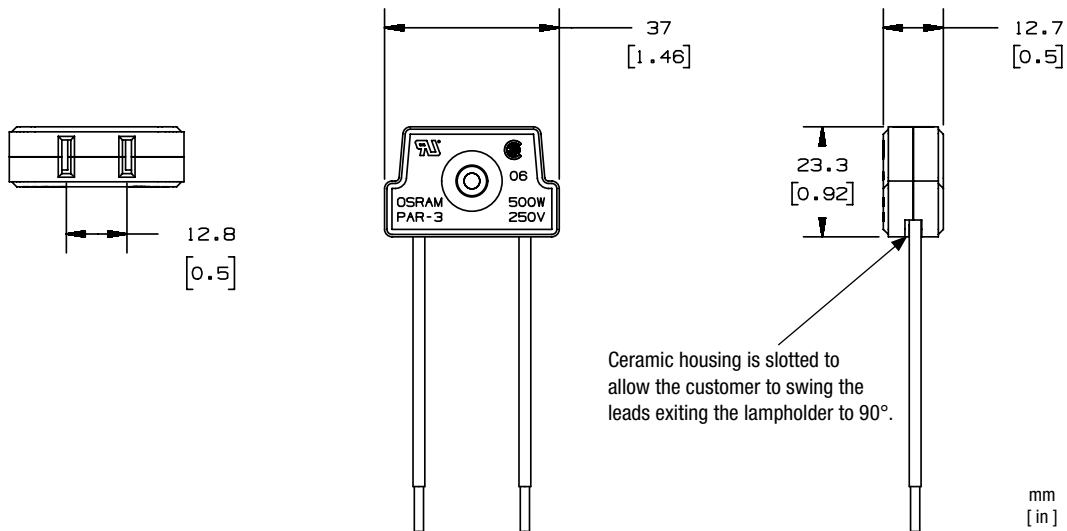
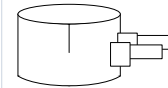
ORDERING INFORMATION

Product Number	Product Description	Wire Gauge/Type/Color	Wire Length (inches)	Case Qty	SKU Qty
69645	PAR3 18IN/16GA/ULSF2	AWG16/ULSF2/White	18	100	100
69644	PAR3 48IN/14GA/ULSF2	AWG14/ULSF2/White	48	100	100
69643	PAR3 48IN/16GA/ULSF2	AWG16/ULSF2/White	48	100	100

All types are made-to-order.

LAMP BASE:

Medium Side
Prong
G12.7



G12

Specifications:

Maximum Amperage	4 Amps
Maximum Voltage	600 V (Pulse Rated 4kV)
Maximum Operating Temperature	200° C
Qualifications	UL Recognized
Body Material	Steatite
Contact Material	Nickel Plated Copper Alloy
Wire Leads	AWG 18 SEW2 24" Long



Single End

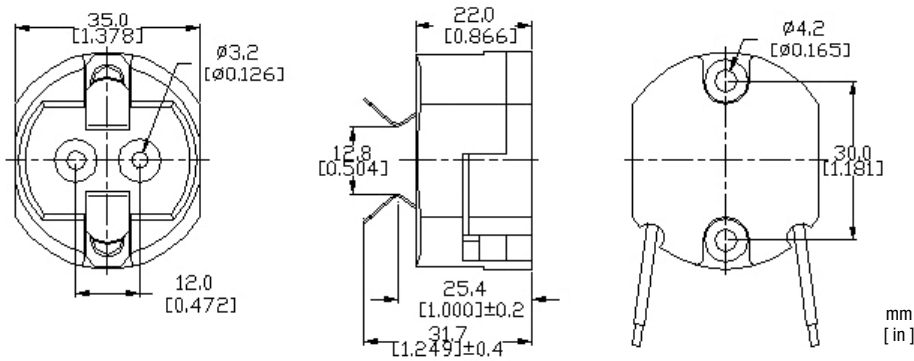
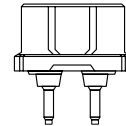
ORDERING INFORMATION

Product Number	Product Description	Wire Gauge/Type/Color	Wire Length (inches) L1 /L2	Case / SKU Qty Qty
69370*	G12 24IN/18GA/UL3239	AWG18/UL3239/White	24	84 / 4

*Included in Stocking Program.

LAMP BASE:

Medium Bi-Pin
(2.4 mm pin dia. x
12 mm ctr. to ctr.)



G22

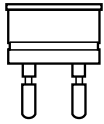


Specifications:

Maximum Amperage	20 Amps
Maximum Voltage	1000 V (Pulse Rated 35kV)
Maximum Operating Temperature	350° C
Qualifications	UL Recognized
Body Material	Steatite
Contact Material	Nickel Plated Brass
Wire Leads	AWG 8-16 Compatible

LAMP BASE:

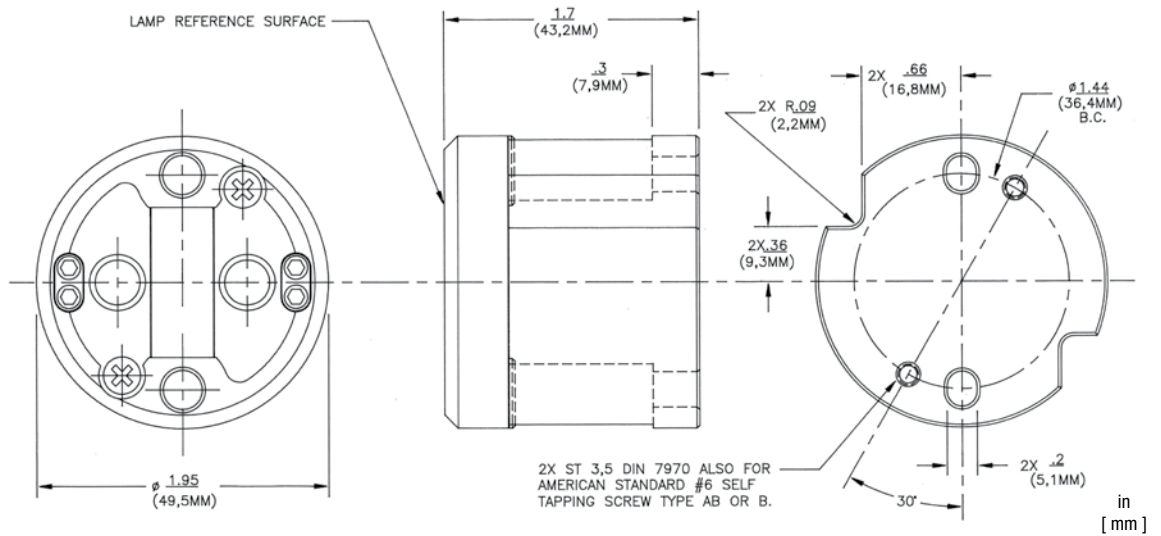
Medium Bi-Post
(6.4 mm post dia. x
22 mm ctr. to ctr.)



ORDERING INFORMATION

Product Number	Product Description	Wire Gauge/Type/Color	Case / SKU Qty Qty
69371*	G22 NO LEADS	N/A	42 / 2

*Included in Stocking Program.



G38

Specifications:

Maximum Amperage	50 Amps
Maximum Voltage	1000 V (Pulse Rated 50kV)
Maximum Operating Temperature	350° C
Qualifications	UL Recognized
Body Material	Steatite
Contact Material	Nickel Plated Brass
Wire Leads	AWG 6-14 Compatible



Single End

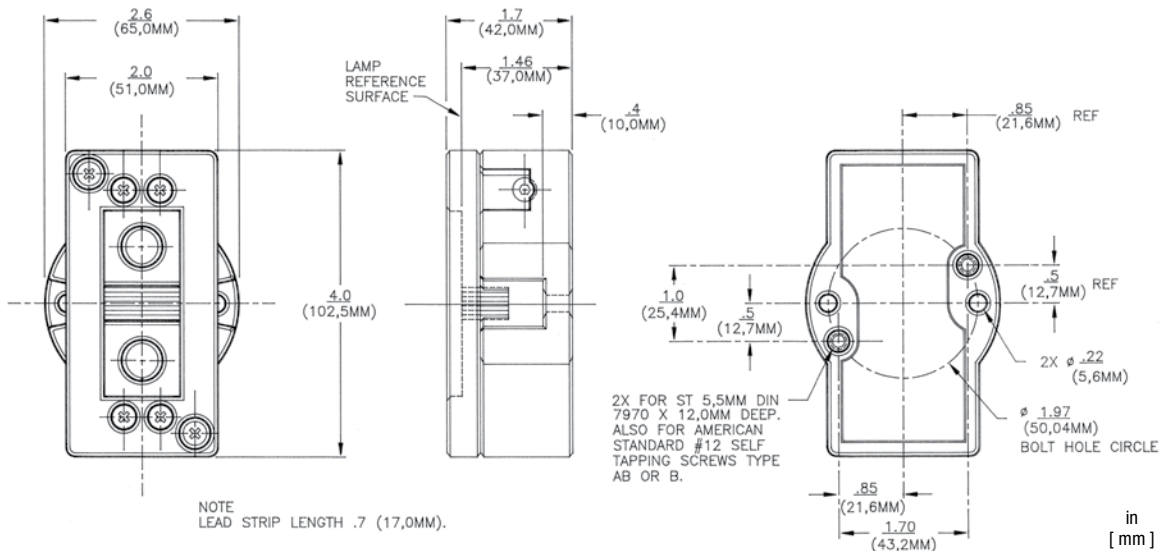
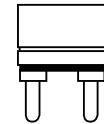
ORDERING INFORMATION

Product Number	Product Description	Wire Gauge/Type/Color	Case / SKU	
			Qty	Qty
69372*	G38 NO LEADS	N/A	15	1

*Included in Stocking Program.

LAMP BASE:

Mogul Bi-Post
(11 mm post dia. x
38 mm ctr. to ctr.)



GY9.5

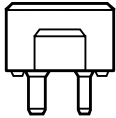


Specifications:

Maximum Amperage	10 Amps
Maximum Voltage	1000 V (Pulse Rated 5kV)
Maximum Operating Temperature	200° C
Qualifications	UL Recognized
Body Material	Steatite
Contact Material	Silver Plated Copper Alloy
Wire Leads	AWG 18 minimum

LAMP BASE:

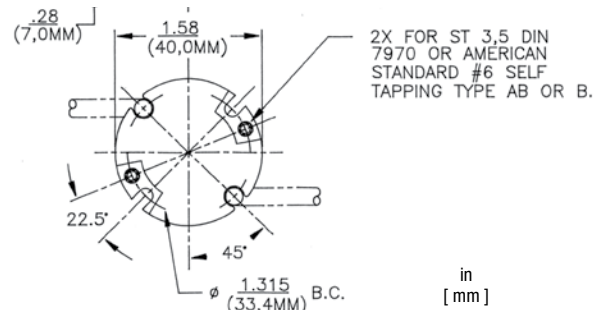
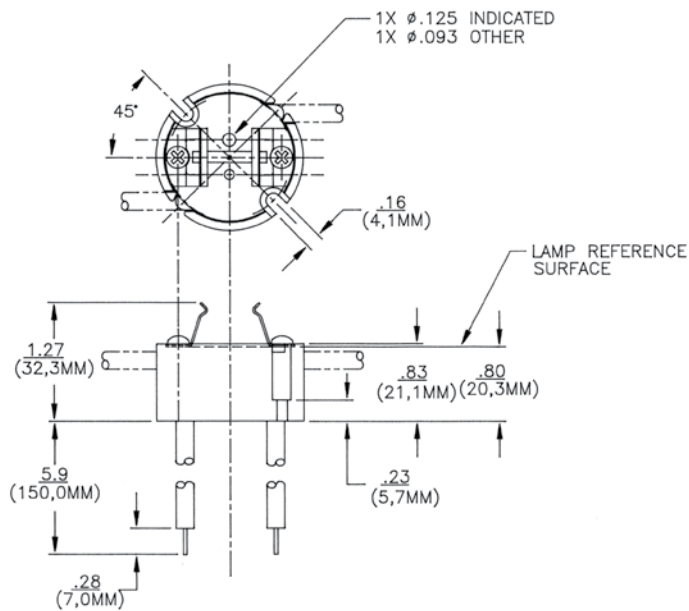
Polarized Bi-Pin
(2.3 mm/3.2 mm pin dia.
x 9.5 mm ctr. to ctr.)
GY9.5



ORDERING INFORMATION

Product Number	Product Description	Wire Gauge/Type/Color	Wire Length (inches)	Case / SKU Qty Qty
69367*	GY9.5 24IN/18GA/UL3239	AWG18/UL3239/White	24	42 / 2

*Included in Stocking Program.



TP6R, TP7L, TP7R

Specifications:

Maximum Wattage	750 W – TP6R (GZ9.5) 1200 W – TP7L or R (GY9.5)
Maximum Voltage	250 V
Maximum Operating Temperature	200° C
Qualifications	UL Recognized – E31557 CSA Certified – LR20904
Body Material	Steatite / Nickel Plated Steel
Contact Material	Nickel Alloy
Wire Leads	AWG 20/18/16, 300 V/105° C minimum



Single End

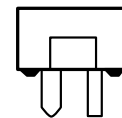
ORDERING INFORMATION

Product Number	Product Description	Type	Wire Gauge/Type/Color	Wire Length (inches)	Case / SKU Qty Qty
69717	TP6R 9IN/16GA/ULSF2	TP-6R	AWG16/ULSF2/White	9	100 / 100
69718	TP7L 9IN/16GA/ULSF2	TP-7L	AWG16/ULSF2/White	9	100 / 100
69719	TP7R 7IN/16GA/ULSF2	TP-7R	AWG16/ULSF2/White	7	100 / 100

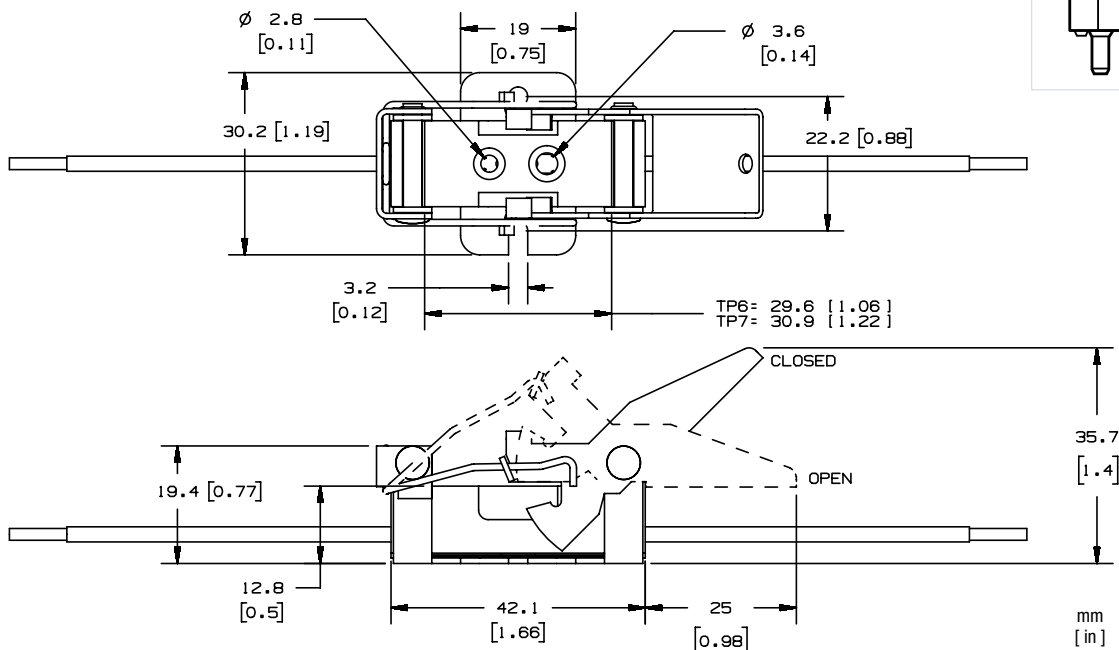
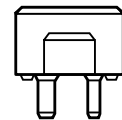
All types are made-to-order.

LAMP BASE:

2-Pin Medium Pre-Focus
(.093" dia. x .125" dia.)
GZ9.5



GY9.5



TP23H, TP23L

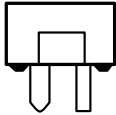
Specifications:

Maximum Wattage	750 W – TP23L 1200 W – TP23H
Maximum Voltage	250 V
Maximum Operating Temperature	200° C
Qualifications	UL Recognized – E31557 CSA Certified – LR20904
Body Material	Steatite / Nickel Plated Steel
Contact Material	Nickel Alloy
Wire Leads	AWG 20/18/16, 300 V/105° C minimum

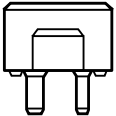


LAMP BASE:

2-Pin Polarized
(.093" pin dia. x .125"
dia. x .375" ctr. to ctr.)
GZ9.5



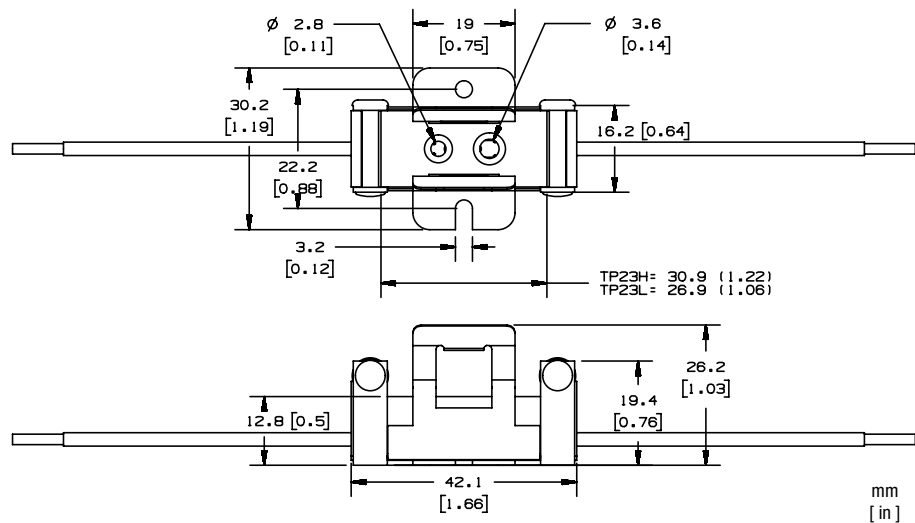
GY9.5



ORDERING INFORMATION

Product Number	Product Description	Wire Gauge/Type/Color	Wire Length (inches)	Case / SKU Qty Qty
69723	TP23H 9IN/16GA/ULSF2	AWG16/ULSF2/White	9	100 / 100
69020*	TP23H 12IN/16GA/UL5359	AWG16/UL5359/Natural	12	100 / 20
69724	TP23H 12IN/16GA/UL5359	AWG16/UL5359/Natural	12	100 / 100
69722	TP23L 6IN/16GA/ULSF2	AWG16/ULSF2/White	6	100 / 100
69720	TP23L 9IN/16GA/ULSF2	AWG16/ULSF2/White	9	100 / 100
69721	TP23L 14IN/16GA/ULSF2	AWG16/ULSF2/White	14	100 / 100

*Included in Stocking Program. Other types are made-to-order.



TP27

Specifications:

Maximum Wattage	1000 W
Maximum Voltage	600 V
Maximum Operating Temperature	250° C
Qualifications	UL Recognized – E31557 CSA Certified – LR20904
Body Material	Steatite
Contact Material	Silver/Nickel Plated Brass
Attachments	.187" x .020" push lock terminal



Single End

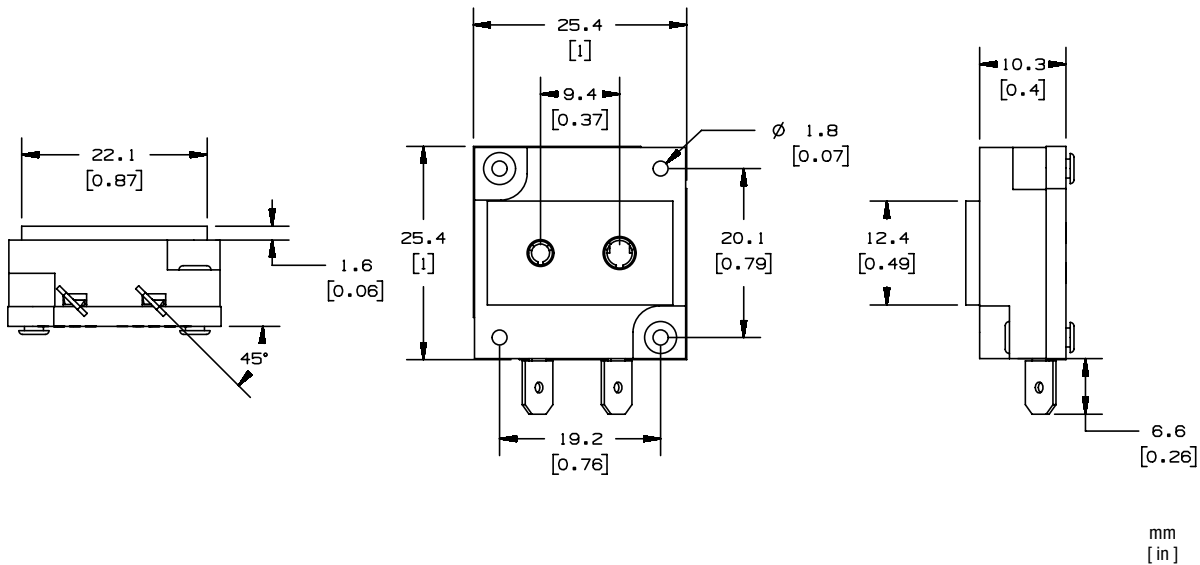
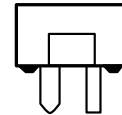
ORDERING INFORMATION

Product Number	Product Description	Insulator Thickness	Insulator Material	Case Qty	SKU Qty
69725	TP27 NO LEADS	.063"	MICA	100	100

Made-to-order type.

LAMP BASE:

2-Pin Polarized
(.093" pin dia. x .125" dia. x .375" ctr. to ctr.)
GZ9.5



Aluminum casting for superior thermal management



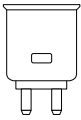
TP22XL

Specifications:

Maximum Wattage	1000 W
Maximum Voltage	250 V
Maximum Operating Temperature	200° C
Qualifications	UL Recognized – E31557 CSA Certified – LR20904
Body Material	Steatite / Die Cast Aluminum
Contact Material	Silver Plated Nickel with high temperature backer spring
Wire Leads	AWG 18/16/14, 600 V/200° C minimum
Lamp Types	All G9.5 base lamps

LAMP BASE:

2-Pin Medium
(.125" pin dia. x
.375" ctr. to ctr.)
G9.5



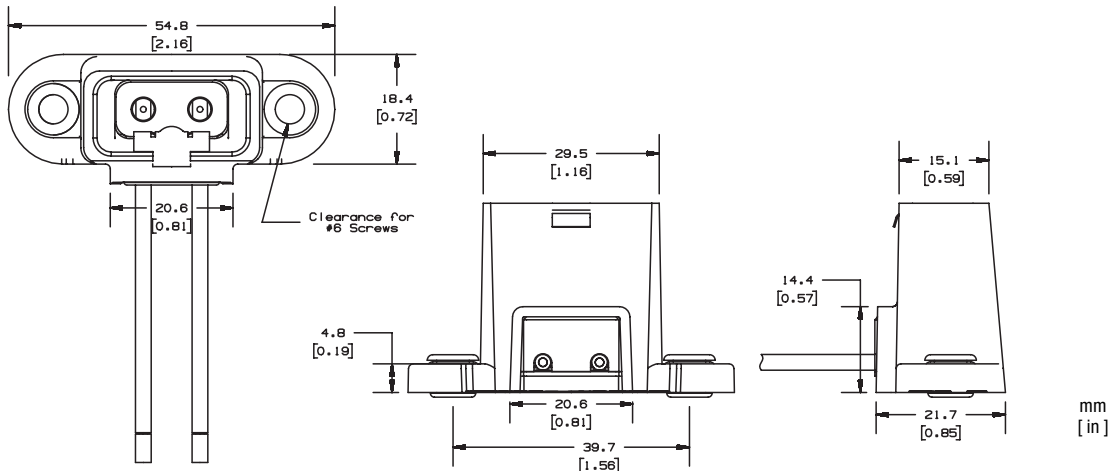
Solid nickel, patented contacts for superior electrical connection



ORDERING INFORMATION

Product Number	Product Description	Wire Gauge/Type/Color	Wire Length (inches)	Case / SKU Qty Qty
69618	TP22XL 7IN/16GA/UL5359	AWG16/UL5359/Natural	7	100 / 100
69623	TP22XL 12IN/16GA/UL1199	AWG16/UL1199/White	12	100 / 100
69617	TP22XL 12IN/16GA/ULSF2	AWG16/ULSF2/White	12	100 / 100
69620	TP22XL 12IN/18GA/UL1199	AWG18/UL1199/White	12	100 / 100
69041	TP22XL 24IN/16GA/UL1659	AWG16/UL1659/White	24	100 / 100
69625	TP22XL 24IN/14GA/UL1659	AWG14/UL1659/White	24	100 / 100
69622	TP22XL 36IN/16GA/UL1659	AWG16/UL1659/White	36	100 / 100
69006*	TP22XL 36IN/16GA/ULSF2	AWG16/ULSF2/White	36	50 / 10
69621	TP22XL 36IN/16GA/ULSF2	AWG16/ULSF2/White	36	100 / 100
69626	TP22XL 36IN/14GA/UL1659	AWG14/UL1659/White	36	100 / 100
69627	TP22XL 40IN/16GA/UL5446	AWG16/UL5446/White	40	100 / 100
69624	TP22XL 48IN/14GA/UL5256	AWG14/UL5256/Black	48	100 / 100
69059	TP22XL CE 75IN/16GA/UL1659	AWG16/UL1659/Black Jacket	75	50 / 50

*Included in Stocking Program. Other types are made-to-order.

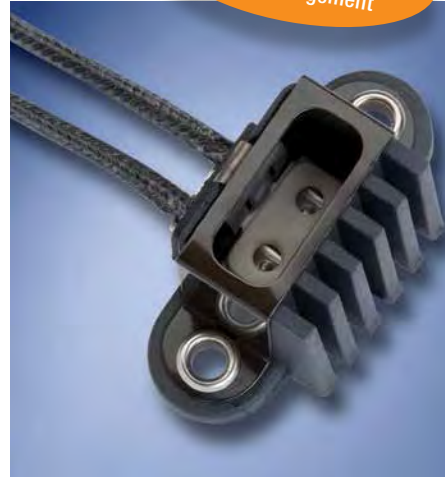


TP220XL

Specifications:

Maximum Wattage	1000 W
Maximum Voltage	250 V
Maximum Operating Temperature	250° C
Qualifications	UL Recognized – E31557 CSA Certified – LR20904
Body Material	Steatite / Die Cast Aluminum
Contact Material	Silver Plated Nickel with high temperature backer spring
Wire Leads	AWG 18/16/14, 600 V/200° C minimum

Heat sink casting provides highest level of heat management



Single End

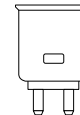
ORDERING INFORMATION

Product Number	Product Description	Wire Gauge/Type/Color	Wire Length (inches)	Case / SKU Qty Qty
69040	TP220XL 12IN/18GA/UL1659	AWG18/UL1659/White	12	100 / 100
69037	TP220XL 24IN/16GA/ULSF2	AWG16/ULSF2/Black	24	100 / 100
69010*	TP220XL 36IN/16GA/ULSF2	AWG16/ULSF2/Black	36	100 / 20
69038	TP220XL 36IN/16GA/ULSF2	AWG16/ULSF2/Black	36	100 / 100
69039	TP220XL 48IN/18GA/ULSF2	AWG18/ULSF2/White	48	100 / 100

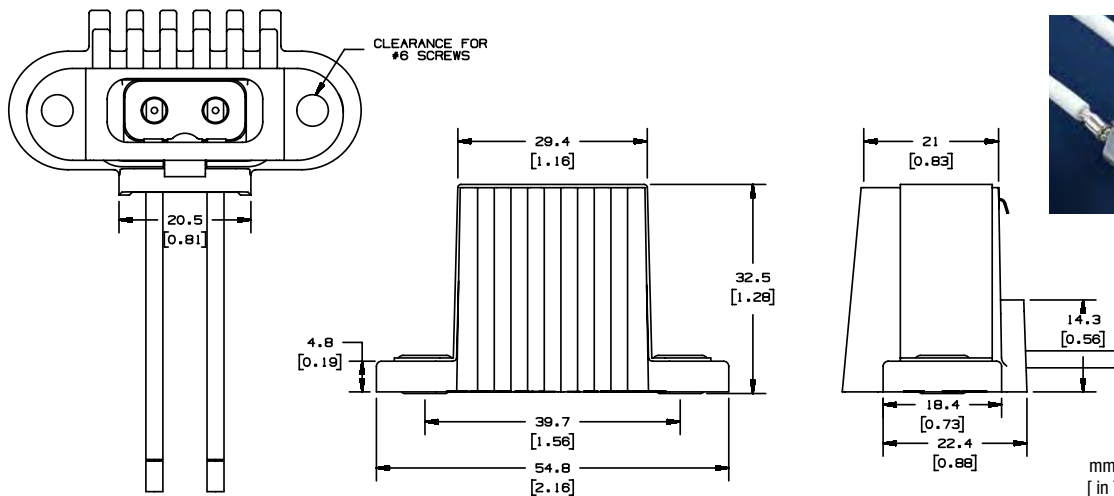
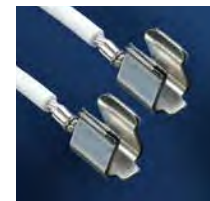
*Included in Stocking Program. Other types are made-to-order.

LAMP BASE:

2-Pin Medium
(.125" pin dia. x
.375" ctr. to ctr.)
G9.5



Solid nickel, patented contacts for superior electrical connection



Patented contacts for smooth lamp insertion and secure lamp retention



TP22H

Specifications:

Maximum Wattage	1000 W
Maximum Voltage	250 V
Maximum Operating Temperature	300° C
Qualifications	UL Recognized – E31557 CSA Certified – LR20904
Body Material	Steatite
Contact Material	Silver Plated Nickel with high temperature backer spring
Wire Leads	AWG 16 minimum, 600 V/250° C minimum

LAMP BASE:

2-Pin Medium
(.125" pin dia. x
.375" ctr. to ctr.)
HPL



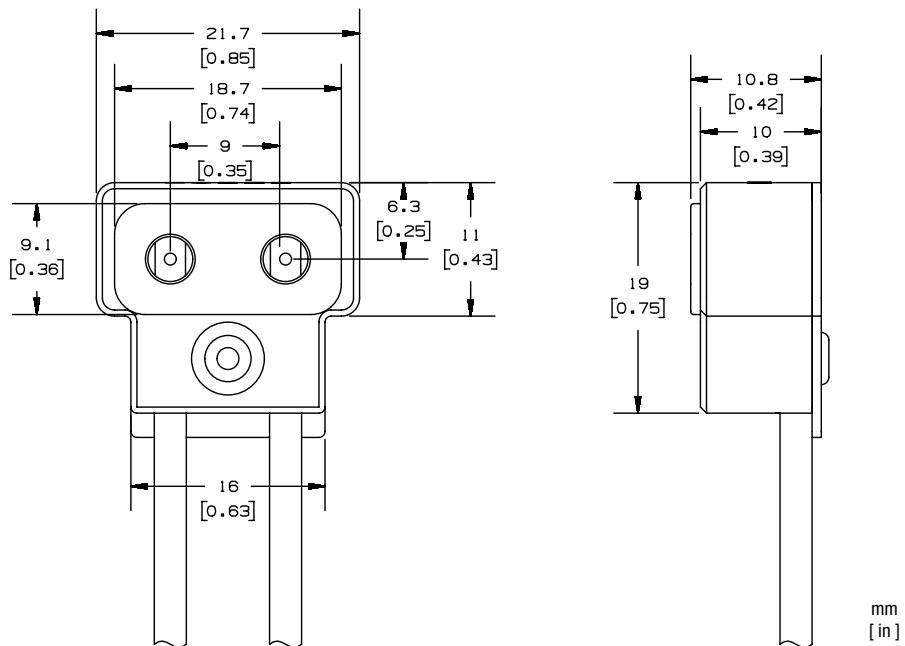
Solid nickel, patented contacts for superior electrical connection



ORDERING INFORMATION

Product Number	Product Description	Wire Gauge/Type/Color	Wire Length (inches)	Case / SKU Qty Qty
69093	TP22H 59CM/16GA/UL5256	AWG16/UL5256/White	23	100 / 100
69094	TP22H 33IN/16GA/UL5359	AWG16/UL5359/White	33	100 / 100
69032	TP22H 36IN/16GA/UL5446	AWG16/UL5446/White	36	100 / 100
69030	TP22H 41IN/16GA/UL5256	AWG16/UL5256/Natural	41	100 / 100
69095	TP22HF 42IN/16GA/UL5359	AWG16/UL5359/White	42	100 / 100
69031	TP22H 44IN/16GA/UL5359	AWG16/UL5359/Natural	44	100 / 100
69005*	TP22H 44IN/16GA/UL5446	AWG16/UL5446/White	44	100 / 20
69029	TP22H 44IN/16GA/UL5446	AWG16/UL5446/White	44	100 / 100
69090	TP22HF 49IN/16GA/UL5359	AWG16/UL5359/White	49	100 / 100
69033	TP22H 60IN/16GA/UL5446	AWG16/UL5446/White	60	50 / 50
69034	TP22H 84IN/16GA/UL5446	AWG16/UL5446/White	84	50 / 50

*Included in Stocking Program. Other types are made-to-order.



TP22H CE

Specifications:

Maximum Wattage	1000 W
Maximum Voltage	250 V
Maximum Operating Temperature	250° C
Qualifications	UL Recognized – E31557 CSA Certified – LR20904
Body Material	Steatite
Contact Material	Silver Plated Nickel with high temperature backer spring
Wire Leads	AWG 16 minimum, 600 V/250° C minimum



Single End

ORDERING INFORMATION

Product Number	Product Description	Wire Gauge/Type/Color	Wire Length (mm)	Case / SKU Qty Qty
69018*	TP22H CE/160CM/16GA/UL1659	AWG16/PTFE/Black Jacket	1603	40 / 10
69036	TP22H CE/160CM/16GA/UL1659	AWG16/PTFE/Black Jacket	1603	80 / 80
69003	TP22H CE/160CM/16GA/UL1659	AWG16/PTFE/White Jacket	1603	80 / 80
69017*	TP22H CE/165CM/16GA/UL1659	AWG16/PTFE/Black Jacket	1648	40 / 10
69035	TP22H CE/165CM/16GA/UL1659	AWG16/PTFE/Black Jacket	1648	60 / 60
69047*	TP22H CE/165CM/16GA/UL1659	AWG16/PTFE/White Jacket	1648	60 / 60
69091	TP22HF CE/179CM/16GA/UL5107	AWG16/PTFE/Black Jacket	1793	60 / 60

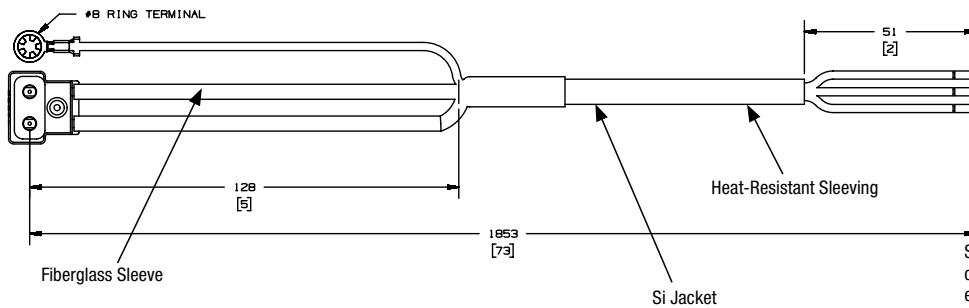
*Included in stocking program. Other types are made-to-order.

LAMP BASE:

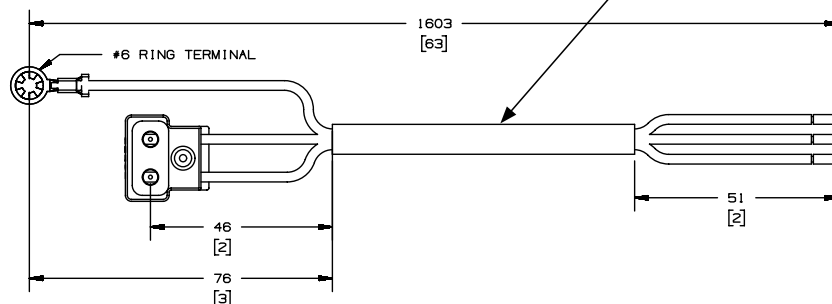
2-Pin Medium
(.125" pin dia. x
.375" ctr. to ctr.)
HPL



High Temperature



Low Temperature



mm
[in]



TP30

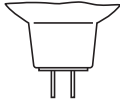
Specifications:

Maximum Wattage	500 W
Maximum Voltage	300 V
Maximum Operating Temperature	200° C
Qualifications	UL Recognized – E31557 CSA Certified – LR20904
Body Material	Steatite
Contact Material	Silver Plated Brass with high temperature backer spring
Wire Leads	AWG 20/18/16, 300 V/150° C minimum



LAMP BASE:

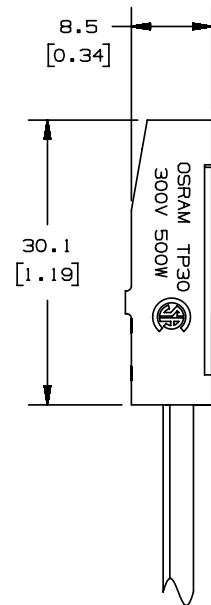
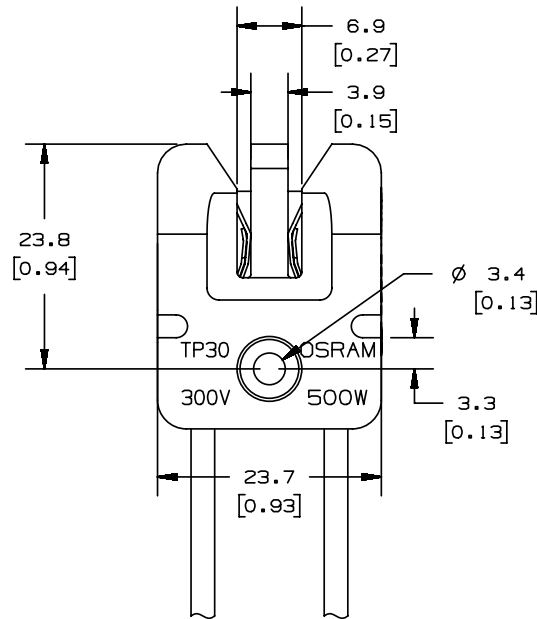
2-Pin Oval/Flat
MR11 & MR16
High Voltage
GY5.3



ORDERING INFORMATION

Product Number	Product Description	Wire Gauge/Type/Color	Wire Length (inches)	Case / SKU Qty Qty
69755	TP30 6IN/18GA/ULSFF1	AWG18/SFF1/White	6	250 / 250
69759	TP30 10IN/18GA/ULSF1	AWG18/ULSF1/1 Black, 1 White	10	250 / 250
69022*	TP30 12IN/18GA/ULSFF1	AWG18/ULSFF1/White	12	100 / 20
69757	TP30 12IN/18GA/ULSFF1	AWG18/ULSFF1/White	12	250 / 250
69758	TP30 14.5IN/20GA/UL1180	AWG20/UL1180/White	14.5	250 / 250

*Included in Stocking Program. Other types are made-to-order.



mm
[in]

TP40

Specifications:

Maximum Wattage	500 W
Maximum Voltage	120 V
Maximum Operating Temperature	200° C
Qualifications	UL Recognized – E31557 CSA Certified – LR20904
Body Material	Steatite
Contact Material	Silver Plated Brass with high temperature backer spring
Wire Leads	AWG 20/18/16, 300 V/150° C minimum



Single End

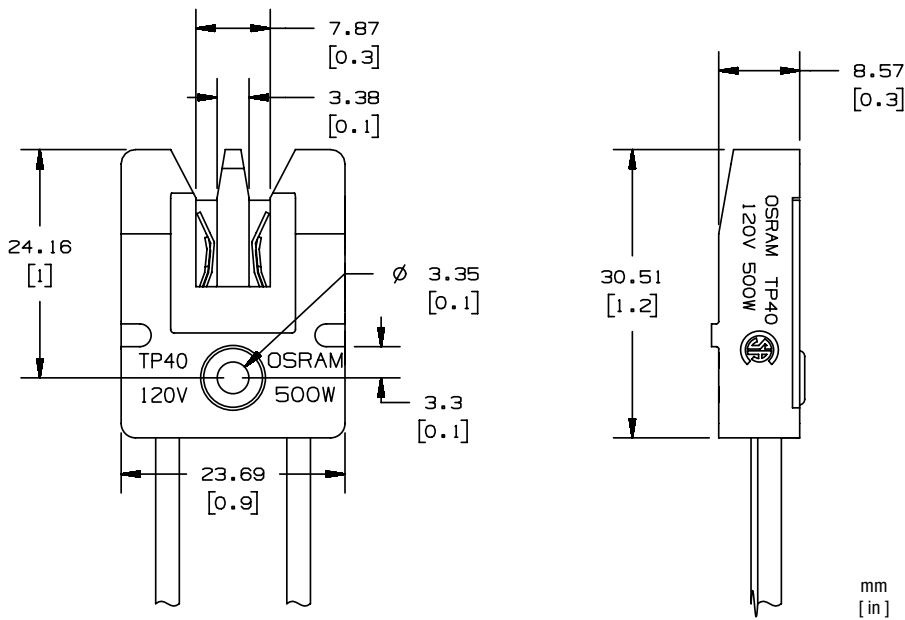
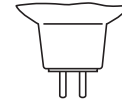
ORDERING INFORMATION

Product Number	Product Description	Wire Gauge/Type/Color	Wire Length (inches)	Case / SKU Qty Qty
69764	TP40 12IN/18GA/ULSF1	AWG18/ULSF1/White	12	250 / 250

Made-to-order type.

LAMP BASE:

2-Pin Miniature Round
MR11 & MR16
(.060" pin dia.
and .020" long)
GX5.3 & G5.3



TP41

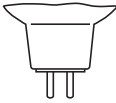


Specifications:

Maximum Wattage	500 W
Maximum Voltage	120 V
Maximum Operating Temperature	200° C
Qualifications	UL Recognized – E31557 CSA Certified – LR20904
Body Material	Steatite
Contact Material	Silver Plated Brass with high temperature backer spring
Wire Leads	AWG 20/18/16, 300 V/150° C minimum

LAMP BASE:

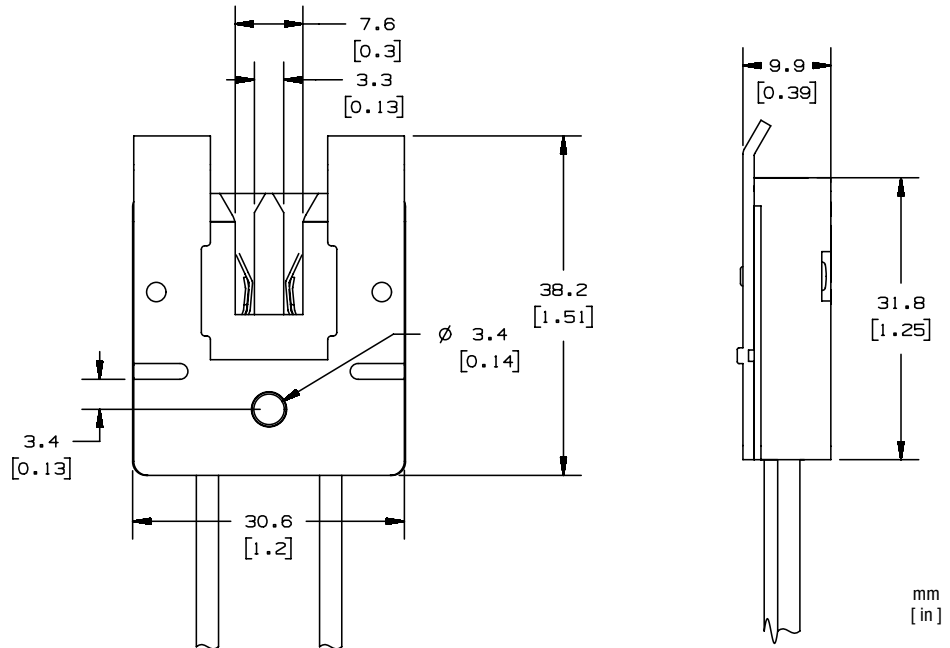
2-Pin Miniature Round
MR11 & MR16
(.060" pin dia.
and .020" long)
GX5.3 & G5.3



ORDERING INFORMATION

Product Number	Product Description	Wire Gauge/Type/Color	Wire Length (inches)	Case / SKU Qty Qty
69767	TP41 12IN/18GA/ULSF1	AWG18/ULSF1/White	12	250 / 250

Made-to-order type.



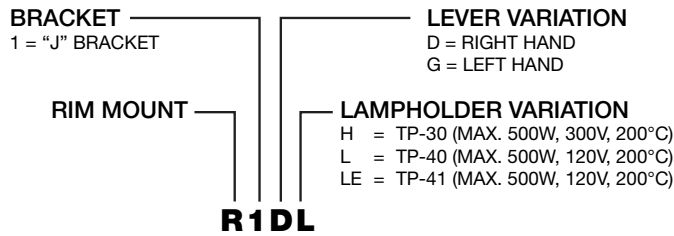
RIM MOUNT (R1DH, R1DL, R1DLE)

Specifications:

Mounting Bracket	Plated Steel (approx. .06" thick)
Lever	Plated Steel (approx. .085" diameter) "D" = right hand lever
Retaining Spring	Music wire (approx. .037" diameter)
Lever Clamp	Plated Steel (holds lever in place)
Qualifications	UL Recognized – E31557 CSA Certified – LR20904



Single End



ORDERING INFORMATION

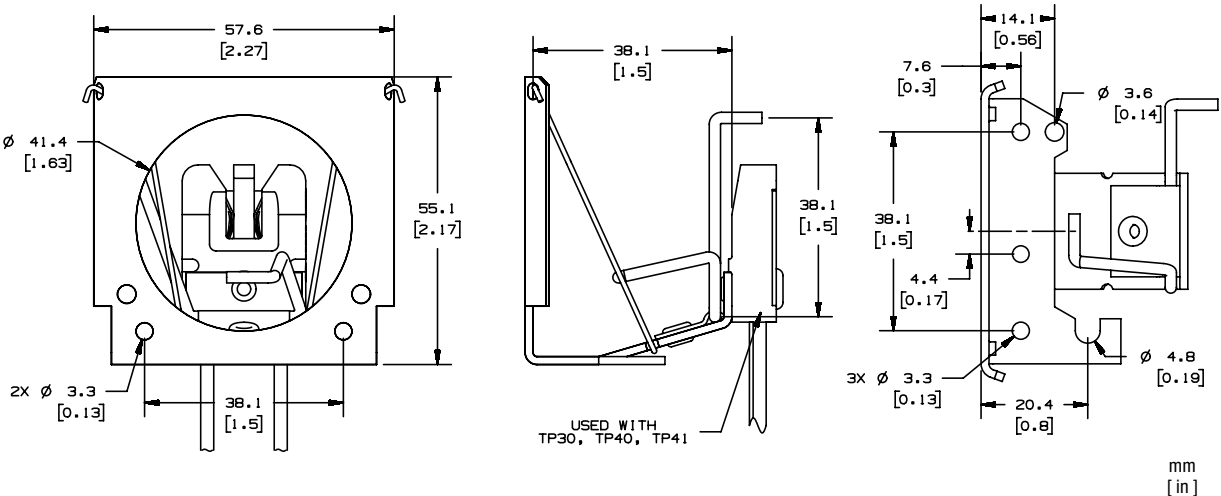
Product Number	Product Description	Wire Gauge/Type/Color	Wire Length Strip (in.)	Case / SKU Qty Qty
69766	R1DL RIM MT 6IN/18GA/ULSFF1	AWG18/ULSFF1/White	6	160 / 160
69786*	R1DL RIM MT 12IN/18GA/ULSFF1	AWG18/ULSFF1/White	12	100 / 20
69728	R1DL RIM MT 18IN/18GA/ULSFF1	AWG18/ULSFF1/White	18	160 / 160
69763	R1DH RIM MT 16IN/18GA/ULSF1	AWG18/ULSF1/White	16	160 / 160
69768	R1DLE RIM MT 8IN/18GA/ULSFF1	AWG18/ULSFF1/White	8	160 / 160
69770	R1DLE RIM MT 12IN/18GA/ULSFF1	AWG18/ULSFF1/White	12	160 / 160
69730	R1DLE RIM MT 13IN/18GA/UL3252	AWG18/UL3252/White	13	160 / 160
69771	R1DLE RIM MT 18IN/18GA/ULSF1	AWG18/ULSF1/White	18	160 / 160

*Included in Stocking Program. Other types are made-to-order.

LAMP BASE:

Oval/Flat 2-Pin
MR11 & MR16
GX5.3 & G5.3

GY5.3



TP20X

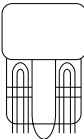


Specifications:

Maximum Wattage	75 W
Maximum Voltage	40 V
Maximum Operating Temperature	225° C
Qualifications	UL Recognized – E31557 CSA Certified – LR20904
Body Material	Steatite
Contact Material	Nickel Plated Stainless Steel
Attachments	.110" x .016" support receptacle

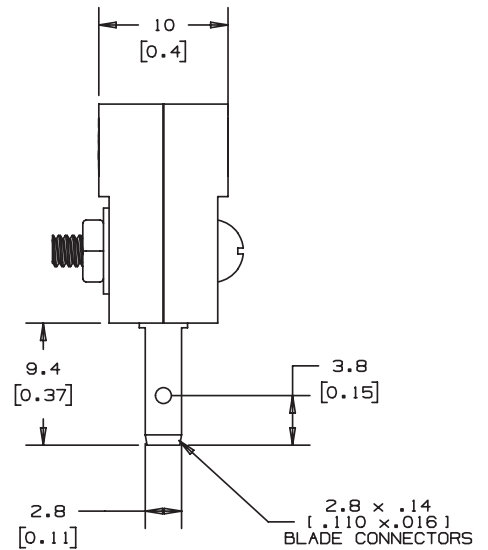
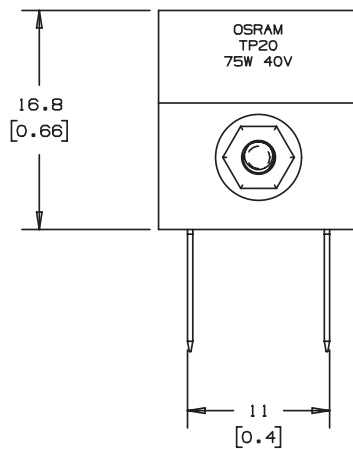
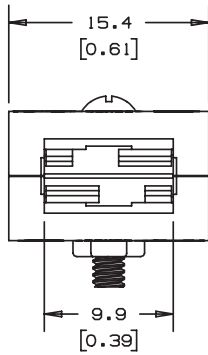
LAMP BASE:

Wedge Base
T 3 1/4



ORDERING INFORMATION

Product Number	Product Description	Contact Material	Case / SKU Qty Qty
69739	TP20X	Nickel Plated Stainless Steel	200 / 200
Made-to-order type.			

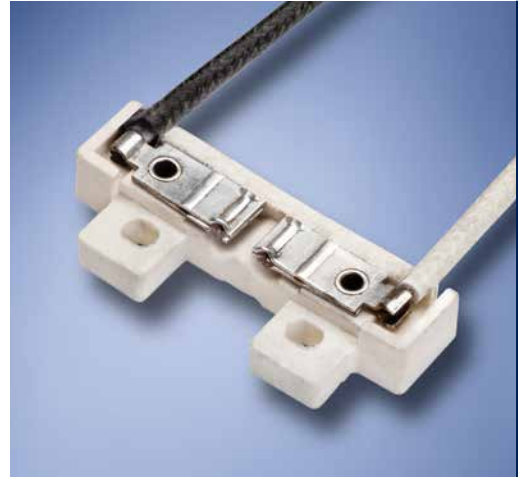


mm
[in]

TP9A

Specifications:

Maximum Wattage	250 W
Maximum Voltage	50 V
Maximum Operating Temperature	200° C
Qualifications	UL Recognized – E31557 CSA Certified – LR20904
Body Material	Steatite
Contact Material	Silver Plated Copper Alloy
Wire Leads	AWG 18/16, 600 V/200° C minimum



Single End

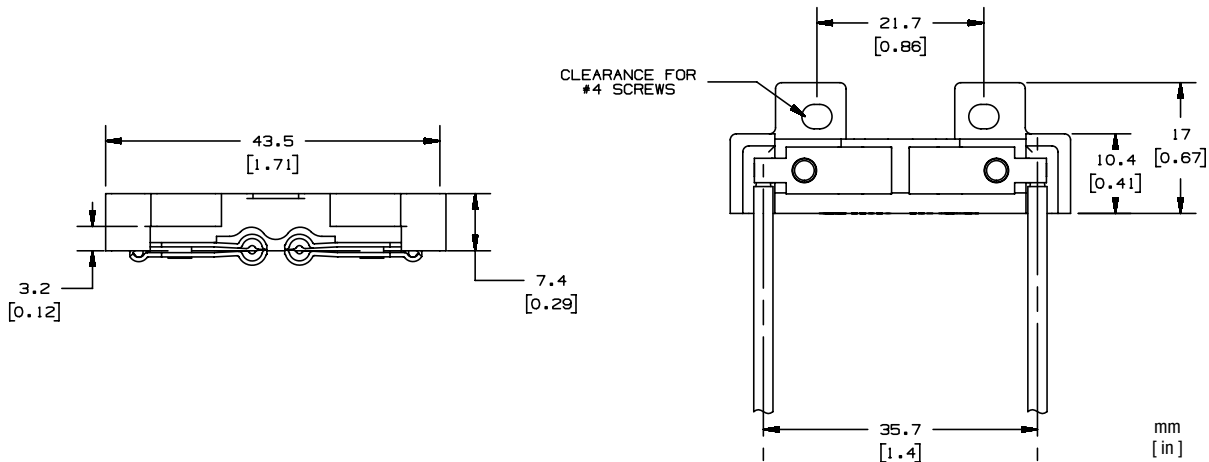
ORDERING INFORMATION

Product Number	Product Description	Wire Gauge/Type/Color	Wire Length (inches)	Case / SKU Qty Qty
69727	TP9A 8IN/18GA/ULSF2	AWG18/ULSF2/1 Black, 1 White	8	100 / 100

Made-to-order type.

LAMP BASE:

2-Pin All Glass
(.05" dia x .25"
ctr to ctr)
GY6.35



TP120

Specifications:

Maximum Wattage	750 W
Maximum Voltage	250 V
Maximum Operating Temperature	225° C
Qualifications	UL Recognized – E31557 CSA Certified – LR20904
Body Material	Steatite / Mica
Contact Material	High Temperature Nickel Alloy
Wire Leads	AWG 18/16, 300 V/150° C minimum



Single End

ORDERING INFORMATION

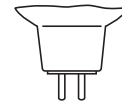
Product Number	Product Description	Wire Gauge/Type/Color	Wire Length (inches)	Case Qty	SKU Qty
69740	TP120 6IN/18GA/ULSF1	AWG18/ULSF1/White	6	200	200
69021*	TP120 12IN/18GA/ULSF1	AWG18/ULSF1/White	12	100	20
69745	TP120 12IN/18GA/ULSF1	AWG18/ULSF1/Black	12	200	200
69741	TP120 18IN/18GA/ULSF1	AWG18/ULSF1/White	18	200	200
69742	TP120 18IN/18GA/UL1180	AWG18/UL1180/White	18	200	200
69744	TP120 18IN/18GA/ULSF2	AWG18/ULSF2/White	18	200	200
69743	TP120 36IN/18GA/ULSF2	AWG18/ULSF2/White	36	200	200

*Included in Stocking Program. Other types are made-to-order.

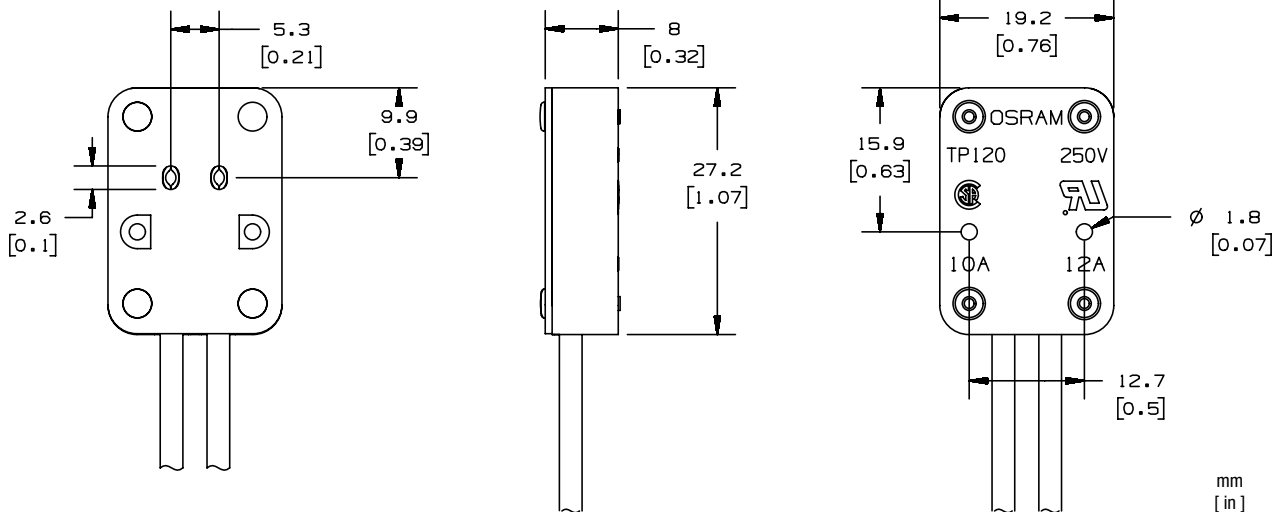
LAMP BASE:

2-Pin Miniature
MR11 & MR16
(.060" dia. round or
.025" flat pins x .210"
ctr. to ctr.)

G5.3, GU5.3, GX5.3



GY5.3



TP120E



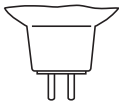
Specifications:

Maximum Wattage	750 W
Maximum Voltage	250 V
Maximum Operating Temperature	225° C
Qualifications	UL Recognized – E31557 CSA Certified – LR20904
Body Material	Steatite / Mica
Contact Material	High Temperature Nickel Alloy
Wire Leads	AWG 18/16, 300 V/150° C minimum

LAMP BASE:

2-Pin Miniature
MR11 & MR16
(.060" dia. round or
.025" flat pins x .210"
ctr. to ctr.)

G5.3, GU5.3, GX5.3



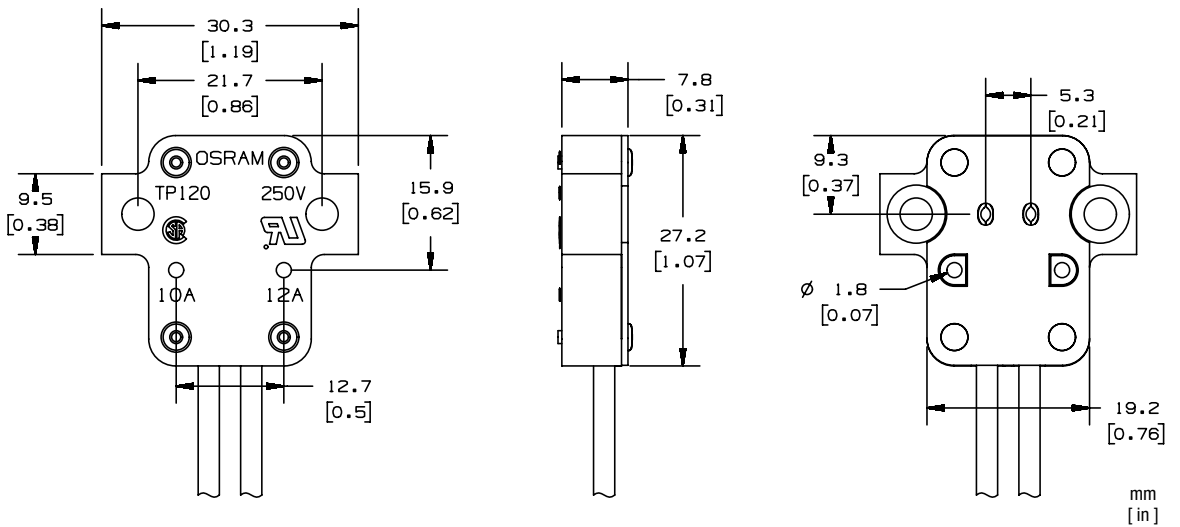
GY5.3



ORDERING INFORMATION

Product Number	Product Description	Wire Gauge/Type/Color	Wire Length (inches)	Case Qty	SKU Qty
69748	TP120E 6IN/18GA/ULSF1	AWG18/ULSF1/White	6	200	200
69751	TP120E 12IN/18GA/ULSF1	AWG18/ULSF1/White	12	200	200
69752	TP120E 18IN/18GA/ULSF1	AWG18/ULSF1/White	18	200	200

All types are made-to-order.



TP120R

Specifications:

Maximum Wattage	750 W
Maximum Voltage	250 V
Maximum Operating Temperature	225° C
Qualifications	UL Recognized – E31557 CSA Certified – LR20904
Body Material	Steatite / Mica with Specular Aluminum Reflector
Contact Material	Nickel Alloy
Wire Leads	AWG 18/16, 300 V/150° C minimum



Single End

ORDERING INFORMATION

Product Number	Product Description	Wire Gauge/Type/Color	Wire Length (inches)	Case / SKU Qty Qty
69753	TP120R 12IN/18GA/ULSF1	AWG18/ULSF1/White	12	100 / 100
69754	TP120R 254IN/18GA/UL1726	AWG18/UL1726/White	25.4	100 / 100

All types are made-to-order.

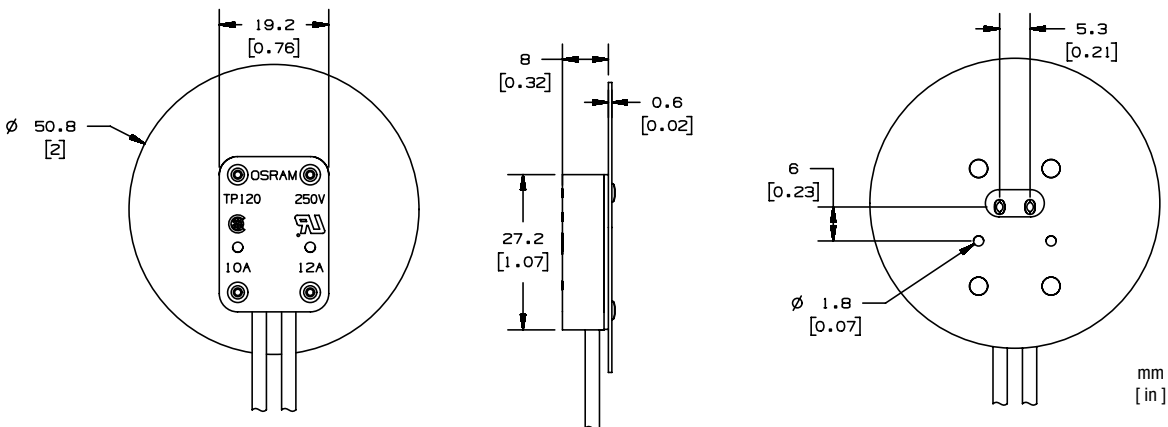
LAMP BASE:

2-Pin Miniature MR11 & MR16 (.060" dia. round or .025" flat pins x .210" ctr. to ctr.)

G5.3, GU5.3, GX5.3



GY5.3



TP56

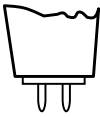


Specifications:

Maximum Wattage	500 W
Maximum Voltage	250 V
Maximum Operating Temperature	250° C
Qualifications	UL Recognized – E31557 CSA Certified – LR20904
Body Material	Steatite / Mica
Contact Material	Nickel with high temperature backer spring
Wire Leads	AWG 18 minimum, 300 V/200° C minimum

LAMP BASE:

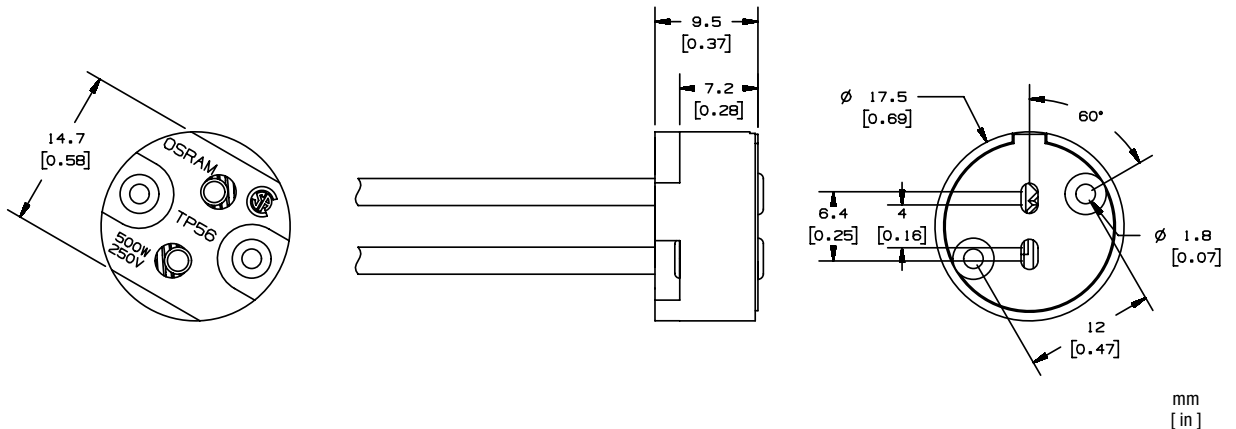
2-Pin Mini Glass
MR11 & MR16
(.028" dia. and
.039" dia.)
G4, GU4, GX4, GZ4,
G6.35, GX6.35,
GY6.35, GZ6.35



ORDERING INFORMATION

Product Number	Product Description	Wire Gauge/Type/Color	Wire Length (inches)	Case / SKU Qty Qty
69773	TP56 6IN/18GA/ULSF1	AWG18/ULSF1/White	6	200 / 200
69774	TP56 12IN/18GA/UL1726	AWG18/UL1726/White	12	200 / 200
69750	TP56 12IN/18GA/ULSF1	AWG18/ULSF1/White	12	200 / 200
69749	TP56 12IN/18GA/UL3512	AWG18/UL3512/White	12	200 / 200

All types are made-to-order.



TP57

Specifications:

Maximum Wattage	750 W
Maximum Voltage	250 V
Maximum Operating Temperature	250° C
Qualifications	UL Recognized – E31557 CSA Certified – LR20904
Body Material	Steatite / Mica
Contact Material	Nickel with high temperature backer spring
Wire Leads	AWG 18/16/14, 300 V/200° C minimum



Single End

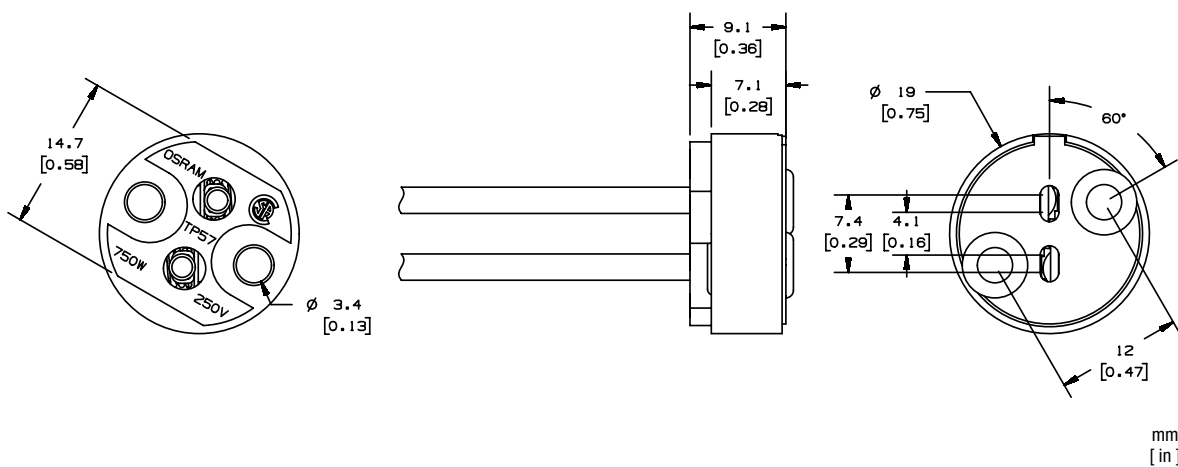
ORDERING INFORMATION

Product Number	Product Description	Wire Gauge/Type/Color	Wire Length (inches)	Case / SKU Qty Qty
69736	TP57 8.62IN/14GA/UL1659	AWG14/UL1659/White	8.62	200 / 200
69733	TP57 8.62IN/18GA/UL1726	AWG18/UL1726/Black	8.62	200 / 200
69731	TP57 8.62IN/18GA/UL1726	AWG18/UL1726/Black	8.62	200 / 200
69732	TP57 8.62IN/18GA/UL1726	AWG18/UL1726/White	8.62	200 / 200
69734	TP57 14IN/18GA/UL1726	AWG18/UL1726/Black	14	200 / 200
69735	TP57 14IN/18GA/UL1726	AWG18/UL1726/White	14	200 / 200

All types are made-to-order.

LAMP BASE:

2-Pin Round Glass
MR11 & MR16
(.028", .039" and
.061" dia. pins)
GU4, GX4, GZ4, G5.3,
GX5.3, G6.35, GX6.35,
GY6.35, GZ6.35



TP61

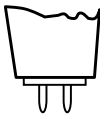


Specifications:

Maximum Wattage	750 W
Maximum Voltage	250 V
Maximum Operating Temperature	250° C
Qualifications	UL Recognized – E31557 CSA Certified – LR20904
Body Material	Steatite / Mica
Contact Material	High Temperature Nickel Alloy
Wire Leads	AWG 20/18/16, 300 V/200° C minimum

LAMP BASE:

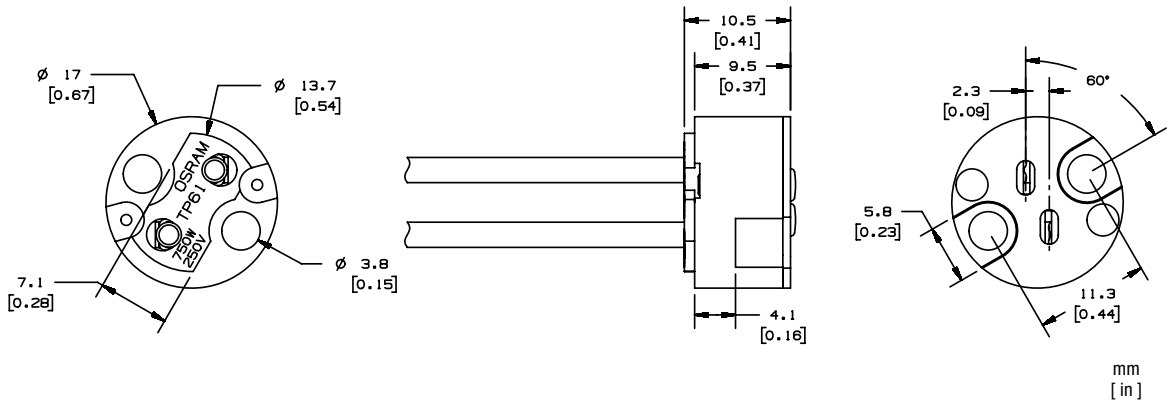
2-Pin Round Glass
MR11 & MR16
G4, GU4, GX4, GZ4,
G5.3, GU5.3, GX5.3,
G6.35, GX6.35,
GY6.35, GZ6.35



ORDERING INFORMATION

Product Number	Product Description	Wire Gauge/Type/Color	Wire Length (inches)	Case / SKU Qty Qty
69738	TP61 7IN/18GA/ULSF1	AWG18/ULSF1/White	7	200 / 200
69737	TP61 12IN/18GA/ULSF1	AWG18/ULSF1/White	12	200 / 200
69023*	TP61 28IN/18GA/ULSF1	AWG18/ULSF1/White	28	125 / 25
69775	TP61 28IN/18GA/UL5359	AWG18/UL5359/White	28	200 / 200
69776	TP61 36IN/18GA/ULSF1	AWG18/ULSF1/White	36	200 / 200
69777	TP61 48IN/16GA/UL1659	AWG16/UL1659/White	48	200 / 200
69778	TP61 48IN/16GA/UL10362	AWG1/UL10362/White	48	200 / 200

*Included in Stocking Program. Other types are made-to-order.



TP99

Specifications:

Maximum Wattage	500 W
Maximum Voltage	250 V
Maximum Operating Temperature	350° C
Qualifications	UL Recognized – E31557 CSA Certified – LR20904
Body Material	Steatite / Mica
Contact Material	Silver Plated Nickel Alloy with high temperature backer spring
Wire Leads	AWG 18 minimum , 300 V/200° C minimum



Single End

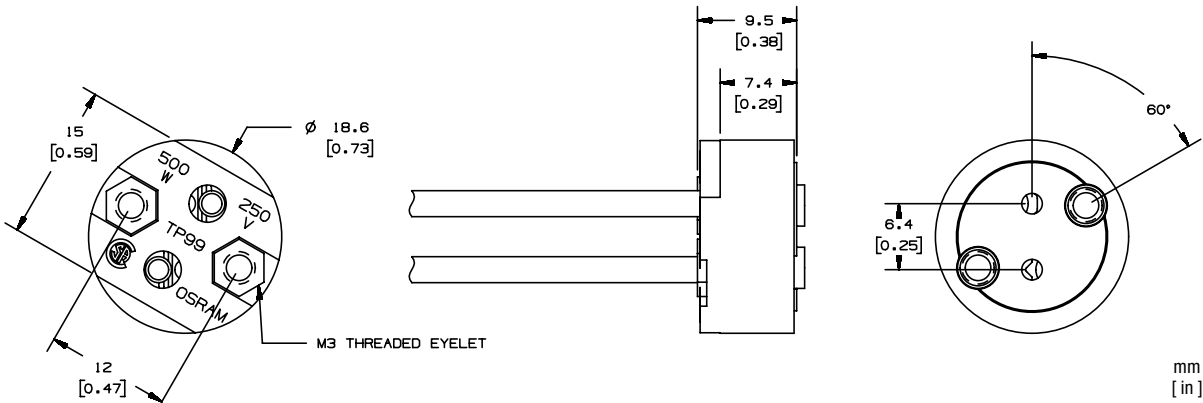
ORDERING INFORMATION

Product Number	Product Description	Wire Gauge/Type/Color	Wire Length (inches)	Case / SKU Qty Qty
69779	TP99 3IN/18GA/ULSF1	AWG18/ULSF1/White	3	200 / 200

Made-to-order type.

LAMP BASE:

2-Pin Round Glass
MR11 & MR16
(.039" or .049" pin dia.)
G6.35, GX6.35,
GY6.35, GZ6.35



S4

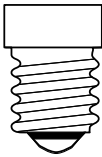


Specifications:

Maximum Wattage	1000 W
Maximum Voltage	250 V
Maximum Operating Temperature	300° C
Qualifications	UL Recognized – E31557 CSA Certified – LR20904
Body Material	Steatite / Nickel Plated Steel
Contact Material	Screw Shell, Center Contact = Nickel Plated Brass
Wire Leads	AWG 18 minimum, 600 V/200° C minimum

LAMP BASE:

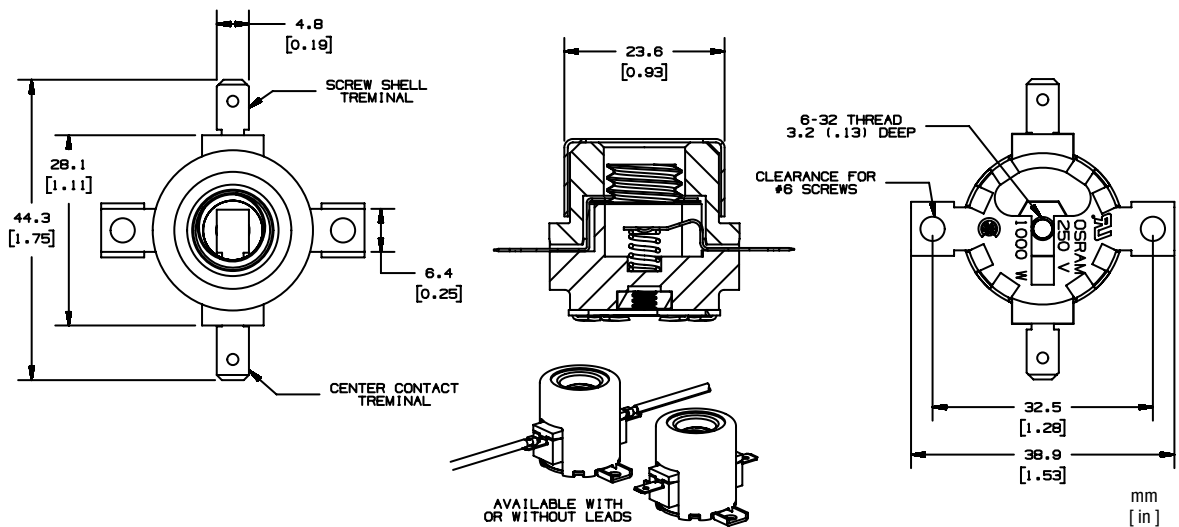
Mini-Candelabra Screw
E11



ORDERING INFORMATION

Product Number	Product Description	Wire Gauge/Type/Color	Wire Length (inches)	Case / SKU Qty Qty
69785	S4	N/A	N/A	240 / 24
69657	S4	N/A	N/A	100 / 100
69653	S4 12IN/16GA/UL1199	AWG16/UL1199/1 Black, 1 White	12	100 / 100
69654	S4 18IN/18GA/ULSF2	AWG18/ULSF2/1 Black, 1 White	18	100 / 100
69655	S4 36IN/18GA/ULSF2	AWG18/ULSF2/1 Black, 1 White	36	100 / 100

All types are made-to-order.



S48

Specifications:

Maximum Wattage	1000 W
Maximum Voltage	300 V
Maximum Operating Temperature	300° C
Qualifications	UL Recognized – E31557 CSA Certified – LR20904
Body Material	Steatite / Nickel Plated Steel
Contact Material	Screw Shell, Center Contact = Nickel Plated Brass
Wire Leads	AWG 18/16, 600 V/105° C minimum



Single End

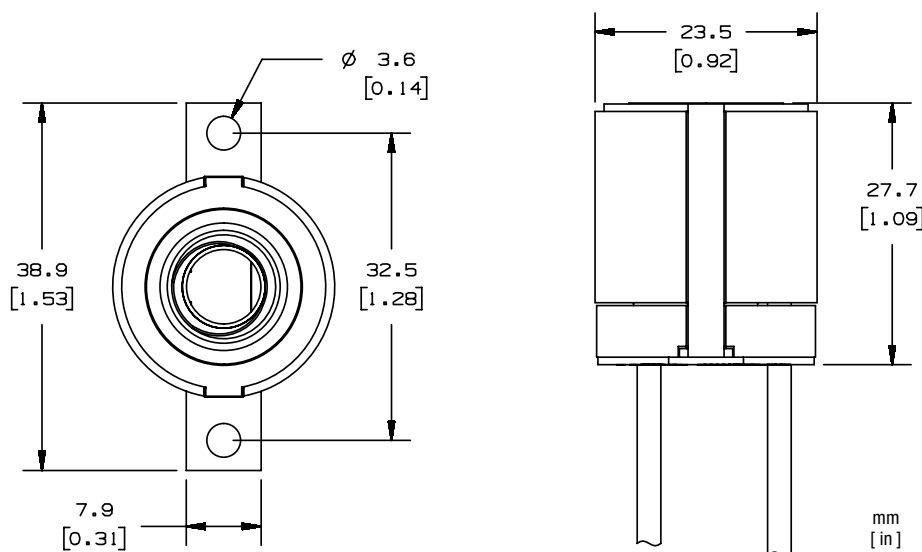
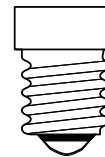
ORDERING INFORMATION

Product Number	Product Description	Wire Gauge/Type/Color	Wire Length (inches)	Case Qty	SKU Qty
69663	S48 12IN/18GA/ULSF2	AWG18/ULSF2/1 Black, 1 White	12	100	100
69664	S48 14IN/18GA/UL1659	AWG18/UL1659/1 Black, 1 White	14	100	100
69665	S48 30IN/18GA/ULSF2	AWG18/ULSF2/1 Black, 1 White	30	100	100
69670	S48 36IN/18GA/ULSF2	AWG18/ULSF2/1 Black, 1 White	36	100	100
69784	S48 48IN/18GA/ULSF2	AWG18/ULSF2/1 Black, 1 White	48	100	20
69669	S48 48IN/18GA/ULSF2	AWG18/ULSF2/1 Black, 1 White	48	100	100
69666	S48 72IN/18GA/ULSF2	AWG18/ULSF2/1 Black, 1 White	72	100	100

All types are made-to-order.

LAMP BASE:

Mini-Candelabra Screw
E11



S25

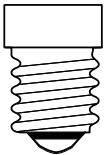


Specifications:

Maximum Wattage	1000 W
Maximum Voltage	250 V
Maximum Operating Temperature	300° C
Qualifications	UL Recognized – E31557 CSA Certified – LR20904
Body Material	Steatite / Nickel Plated Steel
Contact Material	Screw Shell = Nickel Plated Brass Center Contact = Stainless Steel
Wire Leads	AWG 18/16, 600 V/200° C minimum

LAMP BASE:

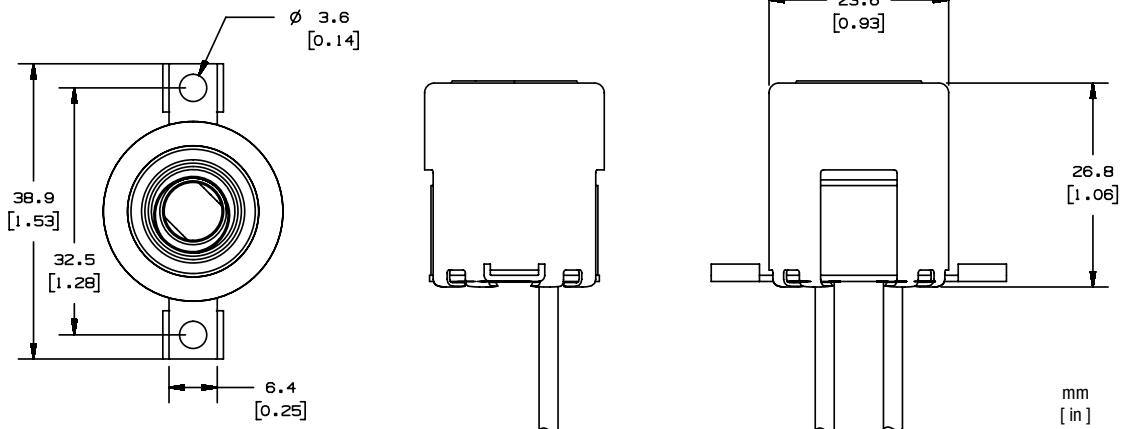
Mini-Candelabra Screw
E11



ORDERING INFORMATION

Product Number	Product Description	Wire Gauge/Type/Color	Wire Length (inches)	Case / SKU Qty Qty
69586	S25 11IN/18GA/UL10362	AWG18/UL10362/1 Black, 1 White	11	100 / 100
69576	S25 12IN/16GA/ULSF2	AWG16/ULSF2/1 Black, 1 White	12	100 / 100
69577	S25 12IN/18GA/ULSF2	AWG18/ULSF2/1 Black, 1 White	12	100 / 100
69582	S25 18IN/16GA/ULSF2	AWG16/ULSF2/1 Black, 1 White	18	100 / 100
69587	S25 24IN/18GA/UL1659	AWG18/UL1659/1 Black, 1 White	24	100 / 100
69584	S25 24IN/18GA/ULSF2	AWG18/ULSF2/1 Black, 1 White	24	100 / 100
69580	S25 36IN/18GA/UL1659	AWG18/UL1659/1 Black, 1 White	36	100 / 100
69783	S25 36IN/18GA/ULSF2	AWG18/ULSF2/1 Black, 1 White	36	100 / 20
69578	S25 36IN/18GA/ULSF2	AWG18/ULSF2/1 Black, 1 White	36	100 / 100
69583*	S25 40IN/14GA/ULSF2	AWG14/ULSF2/1 Black, 1 White	40	100 / 100
69658	S25 48IN/18GA/ULSF2	AWG18/ULSF2/1 Black, 1 White	48	100 / 100

*Included in Stocking Program. Other types are made-to-order.



S25D, S25X

Specifications:

Maximum Wattage	1000 W
Maximum Voltage	250 V
Maximum Operating Temperature	300° C
Qualifications	UL Recognized – E31557 CSA Certified – LR20904
Body Material	Steatite / Nickel Plated Steel
Contact Material	Screw Shell = Nickel Plated Brass Center Contact = Stainless Steel
Wire Leads	AWG 18/16, 600 V/200° C minimum



Single End

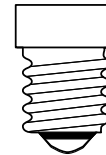
ORDERING INFORMATION

Product Number	Product Description	Wire Gauge/Type/Color	Wire Length (inches)	Case / SKU Qty Qty
69809	S26D 15.5IN/16GA/UL1659	AWG16/UL1659/1 Black, 1 White	15.5	100 / 100
69590	S25D 32IN/18GA/ULSF2	AWG18/ULSF2/1 Black, 1 White	32	100 / 100
69662	S25X 36IN/14GA/UL1659	AWG14/UL1659/1 Black, 1 White	36	100 / 100
69660	S25X 48IN/16GA/ULSF2	AWG16/ULSF2/1 Black, 1 White	48	100 / 100
69661	S25X 72IN/14GA/UL1659	AWG14/UL1659/1 Black, 1 White	72	100 / 100

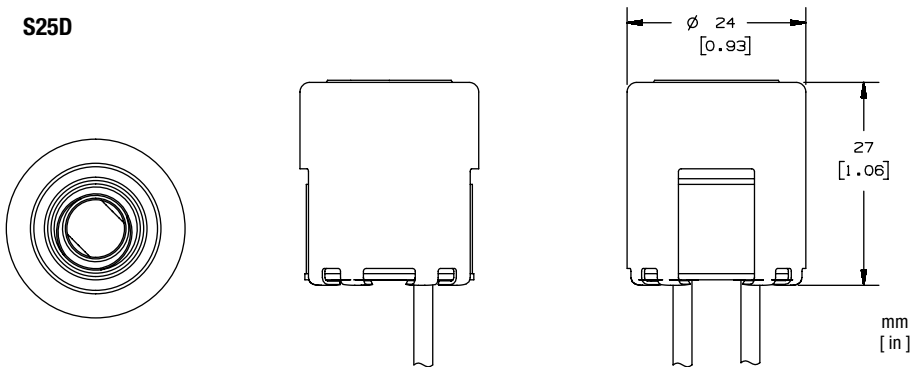
All types are made-to-order.

LAMP BASE:

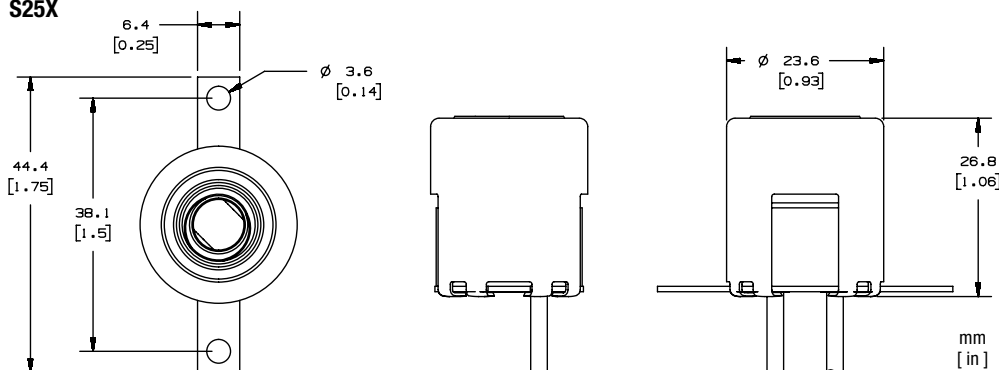
Mini-Candelabra Screw
E11



S25D



S25X



S7

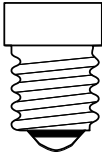


Specifications:

Maximum Wattage	1000 W
Maximum Voltage	250 V
Maximum Operating Temperature	300° C
Qualifications	UL Recognized – E31557 CSA Certified – LR20904
Body Material	Steatite
Contact Material	Screw Shell = Nickel Plated Brass Center Contact = Stainless Steel
Wire Leads	AWG 18/16, 600 V/200° C minimum

LAMP BASE:

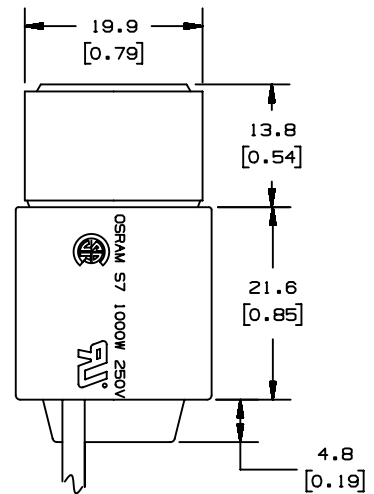
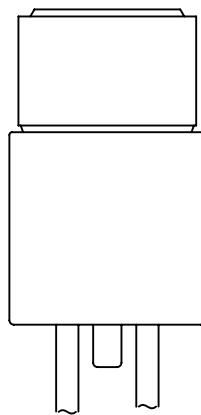
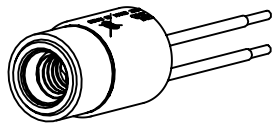
Mini-Candelabra Screw
E11



ORDERING INFORMATION

Product Number	Product Description	Wire Gauge/Type/Color	Wire Length (inches)	Case / SKU Qty Qty
69667	S7 12IN/18GA/ULSF2	AWG18/ULSF2/1 Black, 1 White	12	100 / 100
69651	S7 34IN/18GA/ULSF2	AWG18/ULSF2/1 Black, 1 White	34	100 / 100
69652	S7 36IN/16GA/ULSF2	AWG16/ULSF2/1 Black, 1 White	36	100 / 100

All types are made-to-order.



mm
[in]

S26

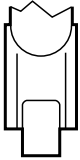


Specifications:

Maximum Wattage	3000 W
Maximum Voltage	600 V
Maximum Operating Temperature	350° C
Qualifications	UL Recognized – E31557 CSA Certified – LR20904
Body Material	Steatite / Aluminum / Plated Steel
Contact Material	Silver Plated Brass
Wire Leads	AWG 16/14, 600 V/200° C minimum
Lamp Types	Halogen and Discharge

LAMP BASE:

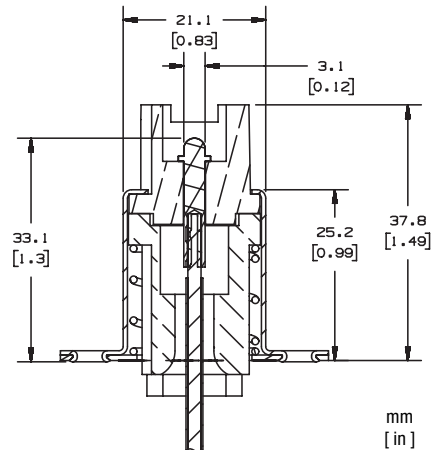
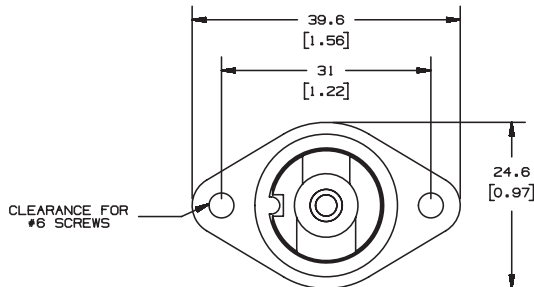
Recessed Single Contact (RSC) R7 & RX7



ORDERING INFORMATION

Product Number	Product Description	Wire Gauge/Type/Color	Wire Length (inches)	Case / SKU Qty Qty
69676	S26 12IN/14GA/UL1659	AWG14/UL1659/White	12	100 / 100
69673	S26 12IN/16GA/ULSF2	AWG16/ULSF2/Black	12	100 / 100
69674	S26 13IN/16GA/ULSF2	AWG16/ULSF2/Black	13	100 / 100
69680	S26 18IN/16GA/ULSF2	AWG16/ULSF2/Black	18	100 / 100
69684	S26 19IN/16GA/UL5359	AWG16/UL5359/Natural	19	100 / 100
69686	S26 22IN/16GA/UL1659	AWG16/UL1659/Black	22	100 / 100
69675	S26 26IN/16GA/ULSF2	AWG16/ULSF2/Black	26	100 / 100
69012*	S26 36IN/16GA/ULSF2	AWG16/ULSF2/White	36	100 / 20
69678	S26 36IN/16GA/ULSF2	AWG16/ULSF2/White	36	100 / 100
69677	S26 42IN/14GA/UL1659	AWG14/UL1659/White	42	100 / 100
69685	S26 42IN/14GA/UL5359	AWG14/UL5359/Blue	42	100 / 100
69682	S26 44IN/14GA/UL5359	AWG14/UL5359/Natural	44	100 / 100
69679	S26 48IN/14GA/UL1659	AWG14/UL1659/White	48	100 / 100
69683	S26 48IN/14GA/ULSF2	AWG14/ULSF2/Black	48	100 / 100
69681	S26 56IN/14GA/UL5359	AWG14/UL5359/Natural	56	100 / 100

*Included in Stocking Program. Other types are made-to-order.



S26F

Specifications:

Maximum Wattage	3000 W
Maximum Voltage	600 V
Maximum Operating Temperature	350° C
Qualifications	UL Recognized – E31557 CSA Certified – LR20904
Body Material	Steatite / Aluminum / Plated Steel
Contact Material	Silver Plated Brass
Wire Leads	AWG 16/14, 600 V/200° C minimum



Double End

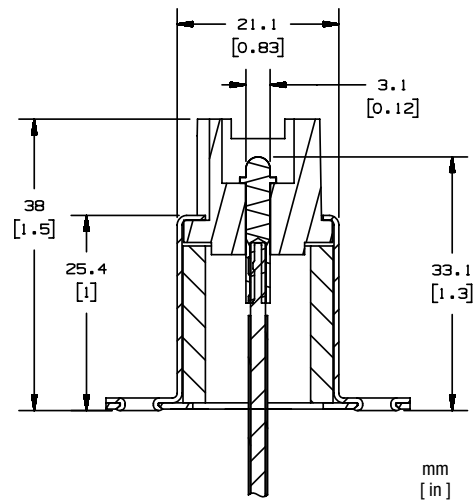
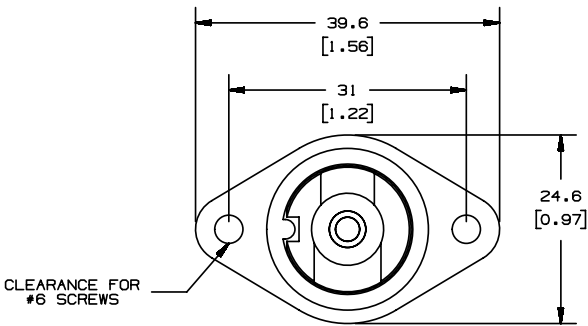
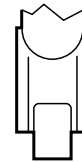
ORDERING INFORMATION

Product Number	Product Description	Wire Gauge/Type/Color	Wire Length (inches)	Case / SKU Qty Qty
69726	S26F 22IN/16GA/UL1659	AWG16/UL1659/White	22	100 / 100

Made-to-order type.

LAMP BASE:

Recessed Single Contact (RSC) R7S & RX7S



S26A

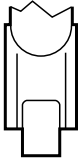


Specifications:

Maximum Wattage	3000 W
Maximum Voltage	600 V
Maximum Operating Temperature	350° C
Qualifications	UL Recognized – E31557 CSA Certified – LR20904
Body Material	Steatite / Aluminum / Plated Steel
Contact Material	Brass
Wire Leads	AWG 18/16/14, 600 V/200° C minimum

LAMP BASE:

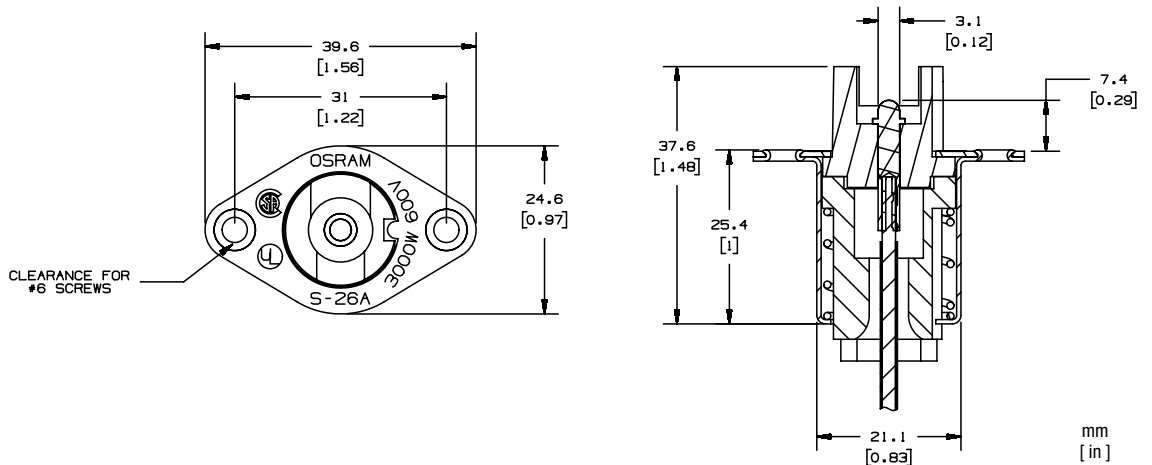
Recessed Single Contact (RSC) R7S & RX7S



ORDERING INFORMATION

Product Number	Product Description	Wire Gauge/Type/Color	Wire Length (inches)	Case / SKU Qty Qty
69695	S26A 6IN/16GA/UL5256	AWG16/UL5256/Natural	6	100 / 100
69693	S26A 12IN/14GA/UL1659	AWG14/UL1659/White	12	100 / 100
69699	S26A 12IN/14GA/UL5359	AWG14/UL5359/Blue	12	100 / 100
69700	S26A 12IN/14GA/UL5359	AWG14/UL5359/Natural	12	100 / 100
69703	S26A 14.5IN/18GA/UL1659	AWG18/UL1659/White	14.5	100 / 100
69702	S26A 15.5IN/18GA/UL1659	AWG18/UL1659/White	15.5	100 / 100
69696	S26A 18IN/14GA/ULSF2	AWG14/ULSF2/Black	18	100 / 100
69011*	S26A 18IN/16GA/ULSF2	AWG16/ULSF2/Black	18	100 / 20
69691	S26A 18IN/16GA/ULSF2	AWG16/ULSF2/Black	18	100 / 100
69692	S26A 30IN/14GA/ULSF2	AWG14/ULSF2/Black	30	100 / 100
69694	S26A 42IN/14GA/UL1659	AWG14/UL1659/White	42	100 / 100
69697	S26A 42IN/14GA/UL5359	AWG14/UL5359/Blue	42	100 / 100
69698	S26A 42IN/14GA/UL5359	AWG14/UL5359/Natural	42	100 / 100

*Included in Stocking Program. Other types are made-to-order.



S26AF

Specifications:

Maximum Wattage	3000 W
Maximum Voltage	600 V
Maximum Operating Temperature	350° C
Qualifications	UL Recognized – E31557 CSA Certified – LR20904
Body Material	Steatite / Aluminum / Plated Steel
Contact Material	Silver Plated Brass
Wire Leads	AWG 16/14, 600 V/200° C minimum



Double End

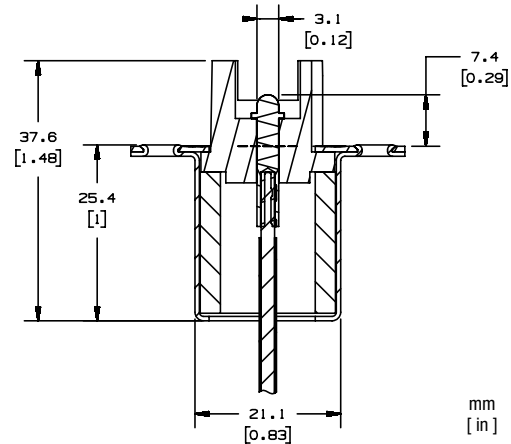
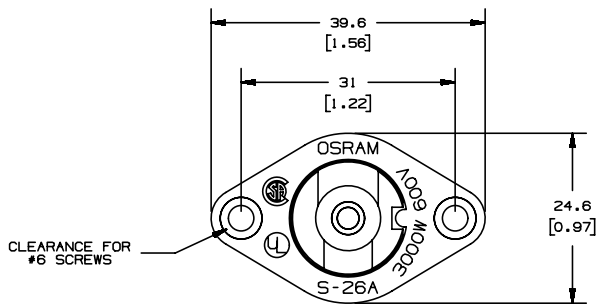
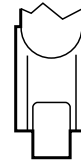
ORDERING INFORMATION

Product Number	Product Description	Wire Gauge/Type/Color	Wire Length (inches)	Case Qty	SKU Qty
69716	S26AF 42IN/14GA/UL1659	AWG14/UL1659/Black	42	100	100

Made-to-order type.

LAMP BASE:

Recessed Single Contact (RSC) R7S & RX7S



mm
[in]

S26C

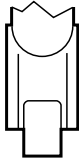


Specifications:

Maximum Wattage	3000 W
Maximum Voltage	600 V
Maximum Operating Temperature	350° C
Qualifications	UL Recognized – E31557 CSA Certified – LR20904
Body Material	Steatite / Aluminum / Plated Steel
Contact Material	Silver Plated Brass
Wire Leads	AWG 16/14, 600 V/200° C minimum

LAMP BASE:

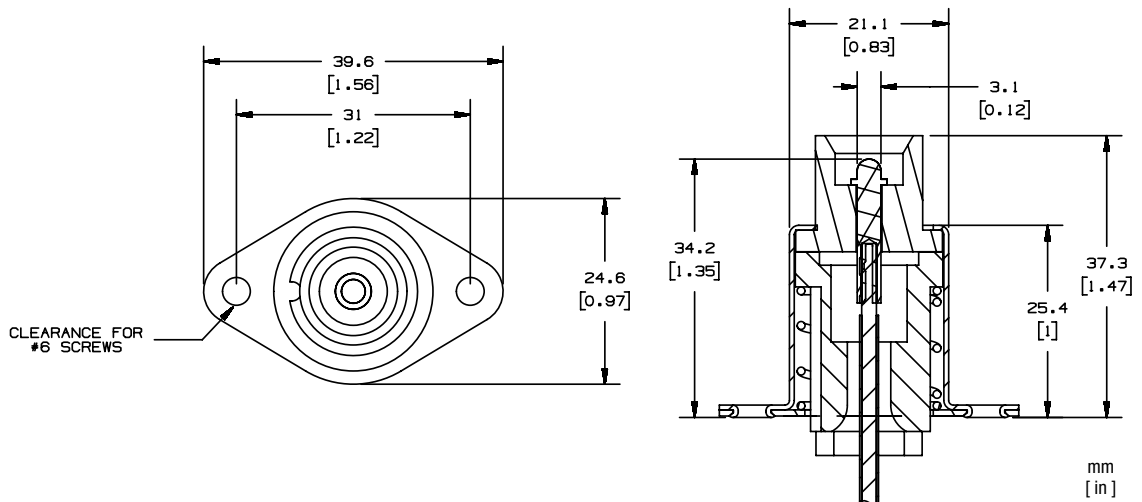
Recessed Single Contact (RSC) and Rectangular Recessed Single Contact (RRSC) R7s & RX7s



ORDERING INFORMATION

Product Number	Product Description	Wire Gauge/Type/Color	Wire Length (inches)	Case / SKU Qty Qty
69705	S26C 12IN/14GA/UL5359	AWG14/UL5359/Blue	12	100 / 100
69706	S26C 12IN/14GA/UL5359	AWG14/UL5359/Natural	12	100 / 100
69710	S26C 18IN/16GA/UL1659	AWG16/UL1659/White	18	100 / 100
69711	S26C 22IN/16GA/UL1659	AWG16/UL1659/Black	22	100 / 100
69708	S26C 24IN/16GA/UL1199	AWG16/UL1199/White	24	100 / 100
69707	S26C 42IN/14GA/UL5359	AWG14/UL5359/Natural	42	100 / 100
69709	S26C 56IN/14GA/UL5359	AWG14/UL5359/Blue	56	100 / 100
69704	S26C 56IN/14GA/UL5359	AWG14/UL5359/Natural	56	100 / 100

All types are made-to-order.



S26D

Specifications:

Maximum Wattage	3000 W
Maximum Voltage	600 V
Maximum Operating Temperature	350° C
Qualifications	UL Recognized – E31557 CSA Certified – LR20904
Body Material	Steatite / Aluminum / Plated Steel
Contact Material	Silver Plated Brass
Wire Leads	AWG 18/16/14, 600 V/200° C minimum



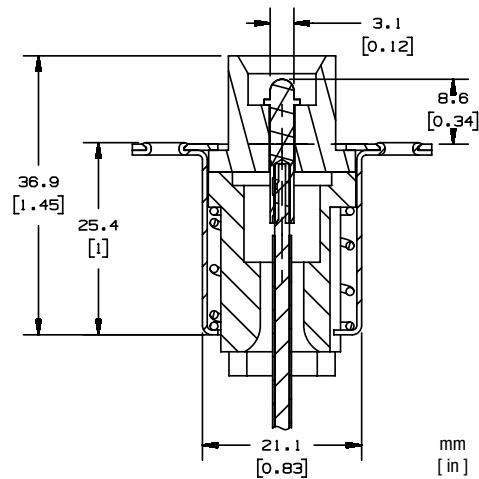
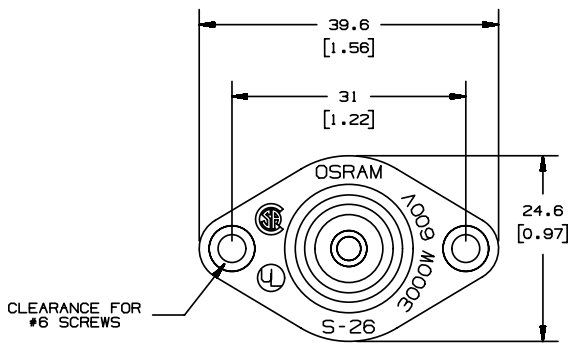
Double End

ORDERING INFORMATION

Product Number	Product Description	Wire Gauge/Type/Color	Wire Length (inches)	Case Qty	SKU Qty
69715	S26D 15.5IN/16GA/ULSF2	AWG16/ULSF2/Black	15.5	100	100
69712	S26D 15.5IN/18GA/UL1659	AWG18/UL1659/Black	15.5	100	100
69713	S26D 48IN/14GA/ULSF2	AWG14/ULSF2/Black	48	100	100

All types are made-to-order.

LAMP BASE:
 Recessed Single Contact (RSC) and Rectangular Recessed Single Contact (RRSC) R7s & RX7s



S2

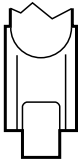


Specifications:

Maximum Wattage	1500 W
Maximum Voltage	600 V
Maximum Operating Temperature	350° C
Qualifications	UL Recognized – E31557 CSA Certified – LR20904
Body Material	Steatite
Contact Material	Silver ball contact on corrosion resistant, high temperature spring material
Wire Leads	AWG 16/14, 600 V/200° C minimum

LAMP BASE:

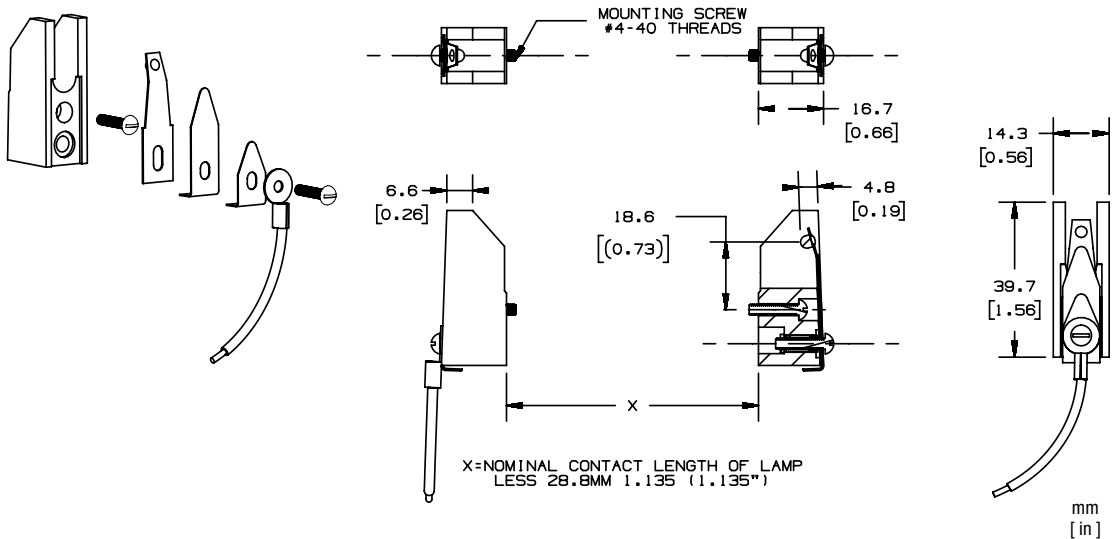
Recessed Single Contact (RSC) R7s



ORDERING INFORMATION

Product Number	Product Description	Wire Gauge/Type/Color	Wire Length (inches)	Case / SKU Qty Qty
69646	S2	NO LEADS	N/A	100 / 100
69648	S2 12IN/16GA/ULSF2	AWG16/ULSF2/White	12	100 / 100
69647	S2 23IN/16GA/ULSF2	AWG16/ULSF2/Black	23	100 / 100
69649	S2 48IN/14GA/ULSF2	AWG14/ULSF2/White	48	100 / 100

All types are made-to-order.



SFc10-4

Superior contact design for optimum lamp/socket connection

Specifications:

Maximum Wattage	1500 W
Maximum Voltage	1000 V (Pulse Rated 25kV)
Maximum Operating Temperature	250° C
Qualifications	UL Recognized – E31557 CSA Certified – LR20904
Body Material	Steatite
Contact Material	Nickel Plated Nickel
Wire Leads	AWG 16/14/12
Lamp Type	All SharXS® HTI® lamps



Double End

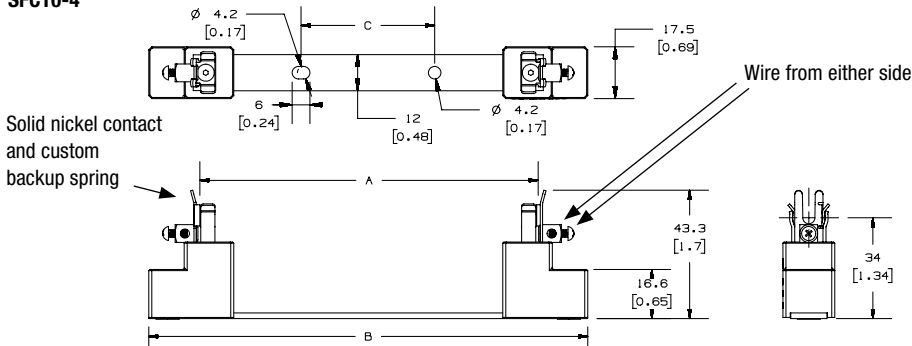
ORDERING INFORMATION

Product Number	Product Description	Lamp Base Spacing (A)	Overall Length (B)	Case / SKU Qty Qty
69004*	SFC10-4 115MM	115mm	148.6 ± 1.5mm	8 / 8
69028	SFC10-4 115MM	115mm	148.6 ± 1.5mm	50 / 50
69019*	SFC10-4	115mm	148.6 ± 1.5mm	25 / 1
69098*	SFC10-4 BB	115mm	148 ± 1.5mm	12 / 12

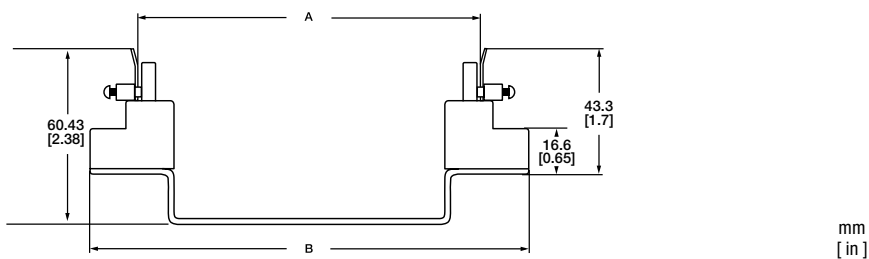
*Included in Stocking Program. Other types are made-to-order.

LAMP BASE:
Double Ended SFC10-4 with Keylock for Pre-Focus

SFC10-4



SFC10-4 BB





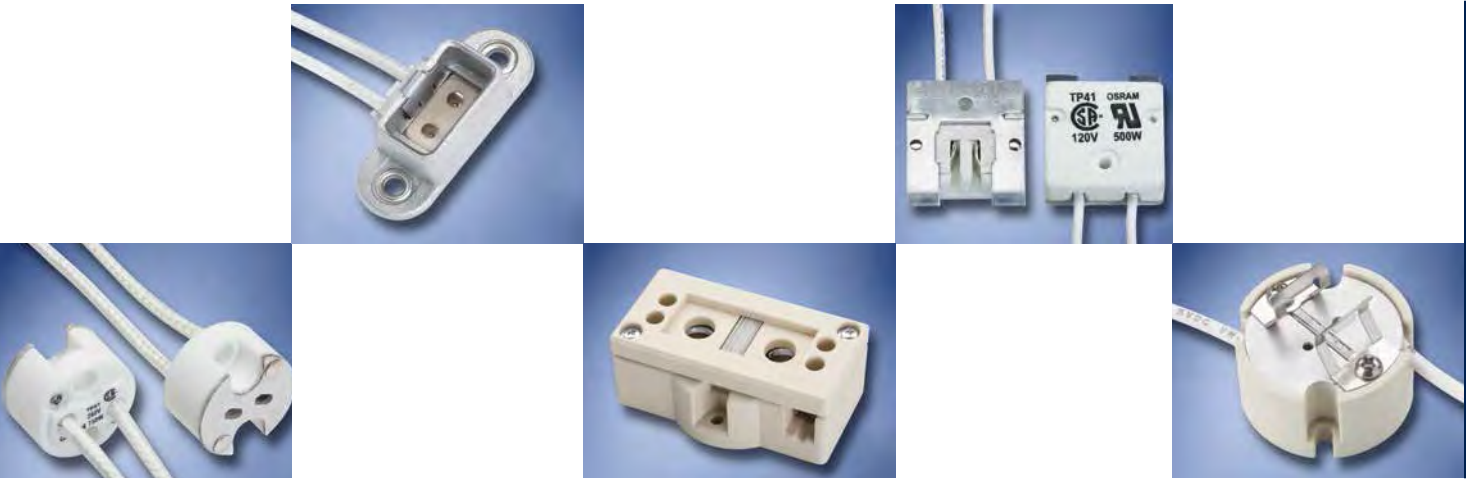
INDEX

INDEX BY LAMPHOLDER

	Page
G12	11
G22	12
G38	13
GY9.5	14
PAR-1	7
PAR-2	8
PAR-3	9
R1DH	25
R1DL	25
R1DLE	25
RIM MOUNT	25

Page

	Page
S2	48
S25	38
S25D	39
S25X	39
S26	42
S26A	44
S26AF	45
S26C	46
S26D	47
S26F	43
S4	36
S48	37
S7	40
SFc10-4	49



	Page		Page
TP6R	15	TP41	24
TP7L	15	TP56	32
TP7R	15	TP57	33
TP9A	27	TP61	34
TP20X	26	TP99	35
TP22H	20	TP120	29
TP22H CE	21	TP120E	30
TP22XL	18	TP120R	31
TP23H	16	TP220XL	19
TP23L	16		
TP27	17		
TP30	22		
TP40	23		

United States
OSRAM SYLVANIA
100 Endicott Street
Danvers, MA 01923
1-800-LIGHTBULB

Trade
Phone: 800-255-5042
Fax: 800-255-5043

National Accounts
Phone: 800-562-4671
Fax: 800-562-4674

OEM/Special Markets
Phone: 800-762-7191
Fax: 800-762-7192

Retail
Phone: 800-842-7010
Fax: 800-842-7011

SYLVANIA Lighting Services
Phone: 800-323-0572
Fax: 800-537-0784

Display/Optic
Phone: 888-677-2627
Fax: 855-543-1043

Canada
OSRAM SYLVANIA LTD.
2001 Drew Road
Mississauga, ON L5S 1S4
1-800-LIGHTBULB

Trade
Phone: 800-263-2852
Fax: 800-667-6772

OEM/Special Markets/Display/Optic
Phone: 800-265-2852
Fax: 800-667-6772

Retail
Phone: 800-720-2852
Fax: 800-667-6772

SYLVANIA Lighting Services
Phone: 800-663-4268
Fax: 866-239-1278

Mexico
OSRAM MEXICO
Tultitlan/Edo de Mexico
Phone: 011-52-55-58-99-18-500

ENCELIUM® Products
United States
Phone: 201-508-1570
Fax: 201-508-1589

Canada
Phone: 905-731-7678
Fax: 905-731-1401



www.sylvania.com/lampholders

OSRAM, SharXS, HTI and aluPAR are registered trademarks of OSRAM GmbH.
All other trademarks are those of their respective owners.
Product specifications are subject to change without notice.
Photographs are exemplary of possible applications for the sockets and not photographs depicting the sockets in use.

DO016R1 2-14

