


Home Appliances & Cordless Power Tools

KYSAN SKU	Manufacturer Cross Reference	Voltage		No Load		At Maximum Efficiency					Pricing in US\$		
		Operating	Nominal	Speed	Current	Speed	Current	Torque		Output			
Number	Number	Range	VDC	RPM	A	RPM	A	mN-m	g-cm	W	1+	10+	100+
1111144	RS-365SH-DB950	3.0-9.0	7.2			12000					4.00	3.60	3.24
1111108	RS-365SH-12115	6.0-12	12	9500	0.13	5309	0.58	50			4.00	3.60	3.24
1112050	RS-385SH-2265	6.0-12.0	12	10000	0.23	8180	0.76	6.86	70	5.79	4.99	4.49	4.04
15953	RS-385SH-2270	6.0-24.0	20	16400	0.18	14010	1.06	9.56	98	14	4.99	4.49	4.04
1112048	RS-385SA-2073	9.0-24.0	20	17200	0.2	14420	1.04	9.49	96.7	14.3	4.99	4.49	4.04
1112048	RS-385SA-12160	12.0-24.0	24	8500	0.08	6700	0.3	57.23	5.61	3.93	4.99	4.49	4.04
1112055	RS-545SH-2485	12.0-24.0	24	9700	0.35	8000	1.24	250	20.42	5.7	5.50	4.95	4.46
1112053	RS-545SA-2670	6.0-24.0	12	6000	0.35	4800	1.15	192	9.5	4.7	5.50	4.95	4.46
1112320	RK-370CA-81050	12.0-30	24	3900	0.01	3210	0.047	1.9	19	0.64	2.66	2.39	2.15
1112068	RK-370CC-22170	3.0-12.0	6	6200	0.1	5200	0.36	25	1.33	1.84	2.66	2.39	2.15
1112309	FF-180PH-2852	1.0-3.0	2.4	8300	0.16	6900	0.86	18	1.76	1.27	3.66	3.29	2.96
1112308	FF-180SH-2657	1.0-3.0	2.4	7700	0.13	6400	0.7	15	1.47	0.98	2.85	2.57	2.31
1112108	FF-180SH-4026	1.0-1.5	1.2	8300	0.3	6900	1.6	15	1.47	1.06	2.85	2.57	2.31
1112047	RS-380SA-26100	6.0-12.0	12	12500	0.25	10670	1.34	95.17	9.33	10.42	4.99	4.49	4.04
1112316	HC-313MG-002	3.0-5.0	3.6	12800	0.94	10900	5.08	10.89	0.95	12.48	4.99	4.49	4.04
1112049	RS-380SH-4045	3.0-9.0	7.2	16200	0.5	14060	3.29	111	10.9	16	4.99	4.49	4.04
1112102	RS-380SH-12300	12.0-30	24	8000	0.07	6540	0.31	63.9	6.27	4.29	4.99	4.49	4.04
	RS-550PC-7527	6.0-14.4	12	18200	1.15	16130	8.97	47.8	488	80.7	5.70	5.13	4.62
	RS-550VC-7527	6.0-14.4	14.4	19800	1.3	17620	10.5	64.7	660	119	5.70	5.13	4.62
117072	RS-550PF-13514	6.0-15	12	15300	1.1	13514	7.035	440	449	60.6	5.70	5.13	4.62
	RS-550PH-6534	6.0-15	12	16000	1	14100	7.75	500	500	72.3	5.70	5.13	4.62
	RS-550PC-3550	9.0-30.0	12	4800	0.17	4240	1.3	25.6	261	11.4	5.70	5.13	4.62
	RS-550VC-3754	12.0-32	12	4100	0.2	3610	1.48	34.8	355	13.1	5.70	5.13	4.62
	RS-550SH-6530F	6.0-12.0	12	17600	1.5	15000	7.64	440	43.14	68	5.70	5.13	4.62
1112060	RS-550SH-6035F	6.0-18.0	12	14200	1.3	12500	6.49	450	44.12	57.76	5.70	5.13	4.62
	RS-550SH-6040F	6.0-12.0	12	13400	1.1	11700	5.7	420	41.18	50.41	5.70	5.13	4.62
	RS-550SH-6045F	12.0-18.0	12	11800	1	10000	5.04	420	41.18	44.03	5.70	5.13	4.62
1111075	RS-550SH-7524	6-15.0	12	20500	1.68	17100	7.4	222	21.7	39.8	5.70	5.13	4.62
	RS-550SH-24V	12.0-24	24	5450	0.238	4570	1.24	321	31.5	15.4	5.70	5.13	4.62
	RS-540RH-7516	2.4 - 4.5	3.6	20200	2.9	16310	12.2	15.1	154	25.8	4.99	4.49	4.04
	RS-540RH-5045-6V	4.5 - 9.6	6	11600	0.82	9660	4.09	14.4	147	14.6	4.99	4.49	4.04
1112310	RS-540SH-5045-12	4.5 - 12.0	12	17500	0.95	15080	5.93	31.8	324	50.1	4.99	4.49	4.04
1112052	RS-540SA-4070	6.0-12	12	11000	0.5	9360	2.87	235	23.04	22.58	4.99	4.49	4.04
1112054	RS-540SA-30100	12.0-24.0	24	15000	0.6	12700	2.8	320	31.37	41.7	4.99	4.49	4.04
	RS-540SA-26135	12.0-24.0	12	5100	0.23	4270	0.84	150	14.71	6.62	4.99	4.49	4.04
1112097	RS-540SA-16280	12.0-24.0	24	5100	0.1	4095	0.472	164.9	16.2	6.935	4.99	4.49	4.04
1112101	RS-540SA-20240	12.0-24.0	24	6060	0.18	5000	0.66	186	18.24	9.54	4.99	4.49	4.04
1111050	RS-775SH-7013	6.0-12.0	12	15500	2.2	12930	11.28	716	70.2	95.13	10.70	9.63	8.67
	RS-775SH-5028	12.0-24.0	12	7180	1.2	5800	4.91	669	65.6	39.9	10.70	9.63	8.67
1112066	RS-775SH-3070	12.0-36.0	24	5650	0.4	4860	1.56	512	50.2	25.6	10.70	9.63	8.67
	RS-775SH-2885	12.0-36.0	24	4700	0.35	3850	1.26	491	48.1	19.42	10.70	9.63	8.67

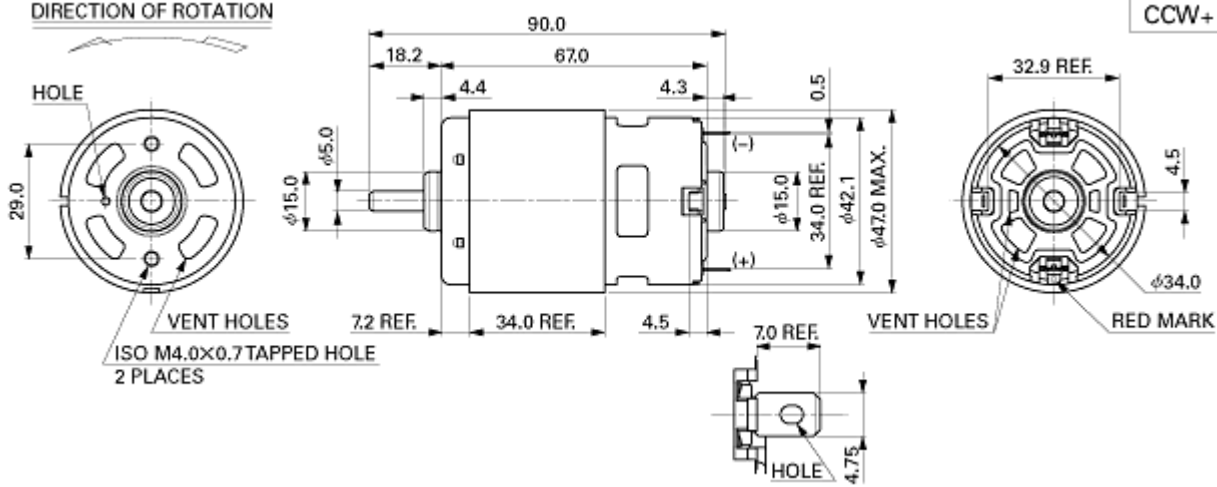
<p>RS-365</p> 	<p>RS-385</p> 	<p>RS-545</p> 	<p>RS-380</p> 	<p>RS-550</p> 
<p>27.7 Diameter x 32.6 Length x 15.6 Shaft (mm)</p>	<p>27.7 Diameter x 37.8 Length x 16.4 Shaft (mm)</p>	<p>35.8 Diameter x 50.0 Length x 17.0 Shaft (mm)</p>	<p>27.7 Diameter x 37.8 Length x 16.4 Shaft (mm)</p>	<p>38.5 Diameter x 57.0 Length x 13.2 Shaft (mm)</p>
<p>Hair Dryer</p>	<p>Hair Dryer, Printer</p>	<p>Hair Dryer, Printer</p>	<p>Vacuum Cleaner</p>	<p>Drill Screwdriver Tools</p>

<p>RS-380</p> 	<p>RS-775</p> 	<p>RS-540</p> 	<p>RK-370</p> 	<p>FF-180</p> 
<p>27.7 Diameter x 37.8 Length x 16.4 Shaft (mm)</p>	<p>47.0 Diameter x 67.0 Length x 18.2 Shaft (mm)</p>	<p>35.8 Diameter x 50.0 Length x 13.0 Shaft (mm)</p>	<p>24.4 Diameter x 30.8 Length x 10.5 Shaft (mm)</p>	<p>20.4 Diameter x 32.1 Length x 8.55 Shaft (mm)</p>
<p>Vacuum Cleaner</p>	<p>Drill Screwdriver Tools</p>	<p>Drill Screwdriver Tools</p>	<p>Styling Brush</p>	<p>Electric Shaver</p>

**DIRECTION OF ROTATION**



**CCW+**



**RS-775 Mechanical drawing**

Applications: Cordless Power Tools> Drill / Cordless Garden Tool / Circular Saw Office Automation Equipment> Printer / Copy Machine