

SERVICE GUIDE

KYE SYSTEMS CORP.



SP-HF2000X

Version:1.0

Total 16 Pages (Cover Page included)

Revision History

Version	Date	Changes
1 . 0	Official Release	

Table of Contents

Revision History.....1

Table of Contents.....2

Getting Started.....3

 Conventions Used in this Guide.....3

 Safety Precautions.....3

Chapter1. How to Handle Defective Returns.....4

 1.1 Overview.....4

 1.2 Problems.....5

 1.2.1 Power LED (indicator) Unlighted.....6

 1.2.2 Does not work or one channel no sound.....7

 1.2.3 Noise.....7

Chapter2. Specifications.....8

Chapter3. Block Diagram.....9

Chapter4. Exploded View.....10-11

Chapter5. Part List.....12-13

Chapter6. Important Notes.....14

 6.1 Packing Requirement for sending the PCB Assembly by post.....14

 6.2 Short of Spare Parts while Repairing a Speaker System.....14

Chapter7. Circuit Schematic.....15

Getting Started

Conventions Used in this Guide



Attention

Pay Special Attention: Instructions that are important to remember and may prevent mistakes.



Caution: Information that, if not followed, may result in damage to the product.

Safety Precautions

The following precautions should be observed in handling the speaker described in this guide:

Place the speakers on a flat level and stable surface.

Do not place the speakers in environments subject to mist, smoke, vibration, excessive dust, salty or greasy air, or other corrosive gases and fumes.

Do not drop or jolt the speakers.

Do not allow anything to drop into the subwoofer case through its ventilator, as it could result in fatal electric shock or fire.

Place the unit far enough from other equipments for good heat dissipation.

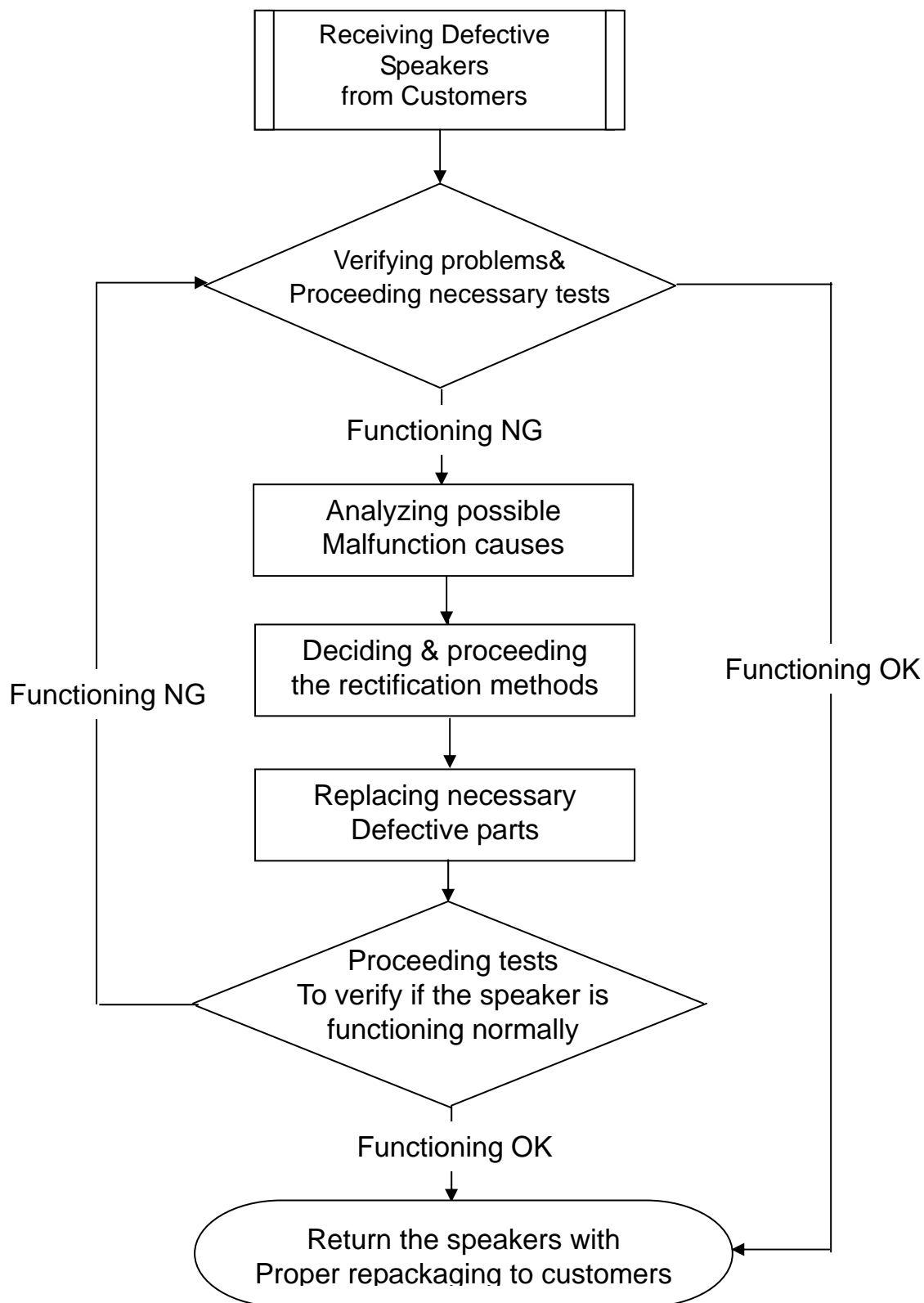
Disconnect the AC power cord from the AC outlet before performing any maintenance on the speakers.

Do not perform any maintenance with wet hand.

Prevent foreign substance, such as water, other liquids or chemicals, from entering the speakers while performing maintenance procedures on the speakers.

Chapter 1. How to Handle Defective Returns

1.1 Overview



1.2 Problems

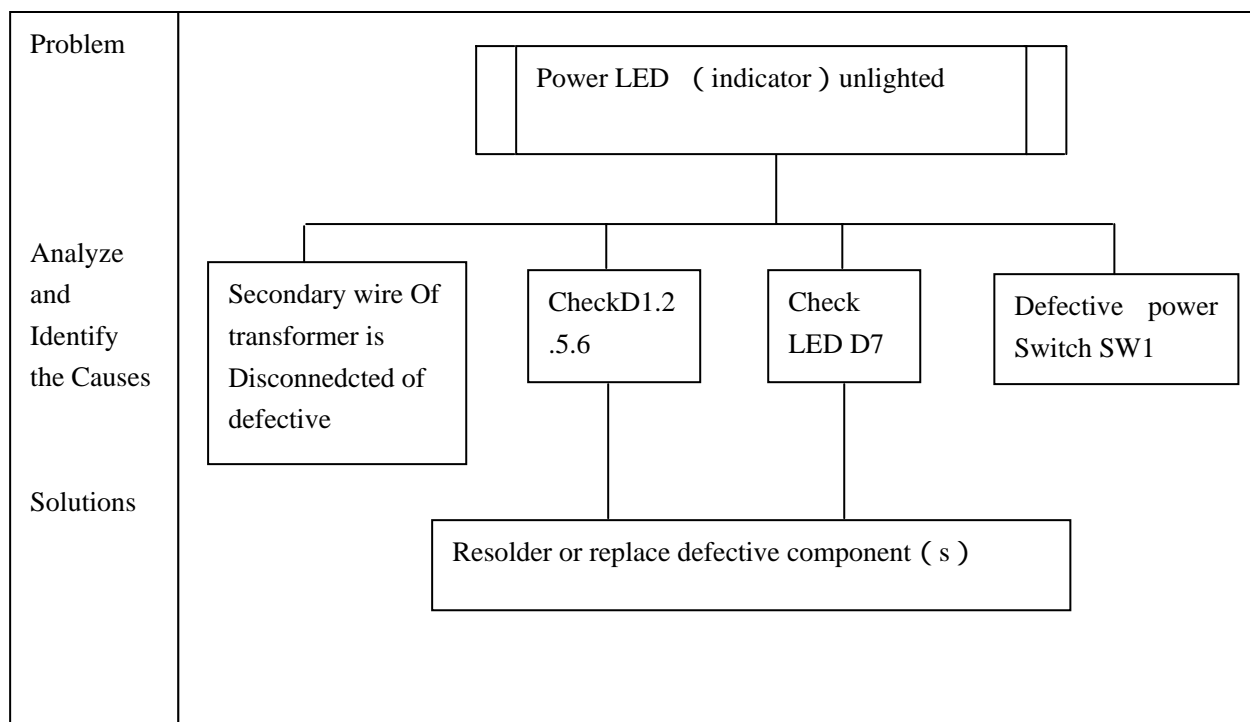
Item	Problem descriptions
1.2.1	<u>Power LED (indicator) unlighted</u>
1.2.2	<u>Does not work or one channel no sound</u>
1.2.3	<u>Noise</u>

Please follow the numbered sequence marked within parenthesis given in individual Flow chart, in that this is the best-recommended sequence to rectify the problems.

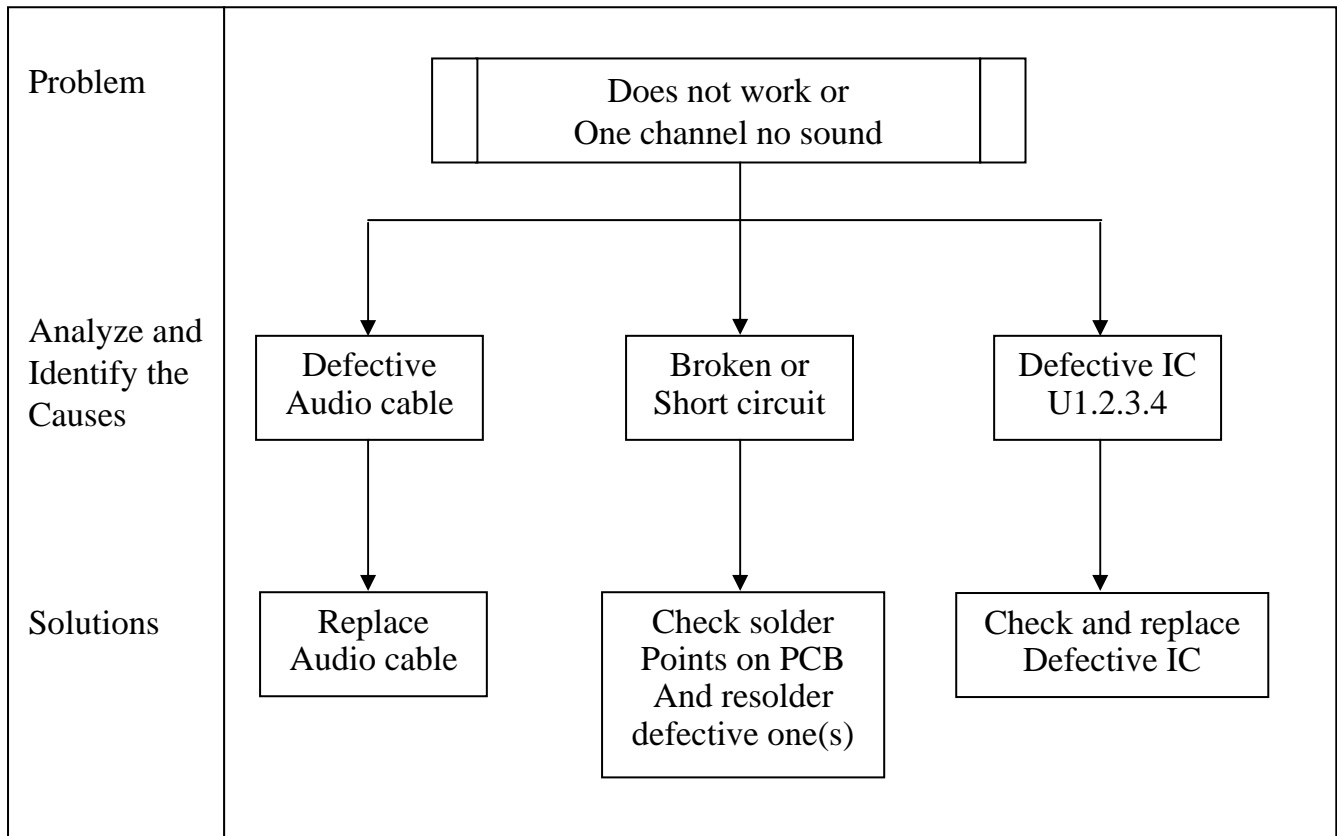


Attention

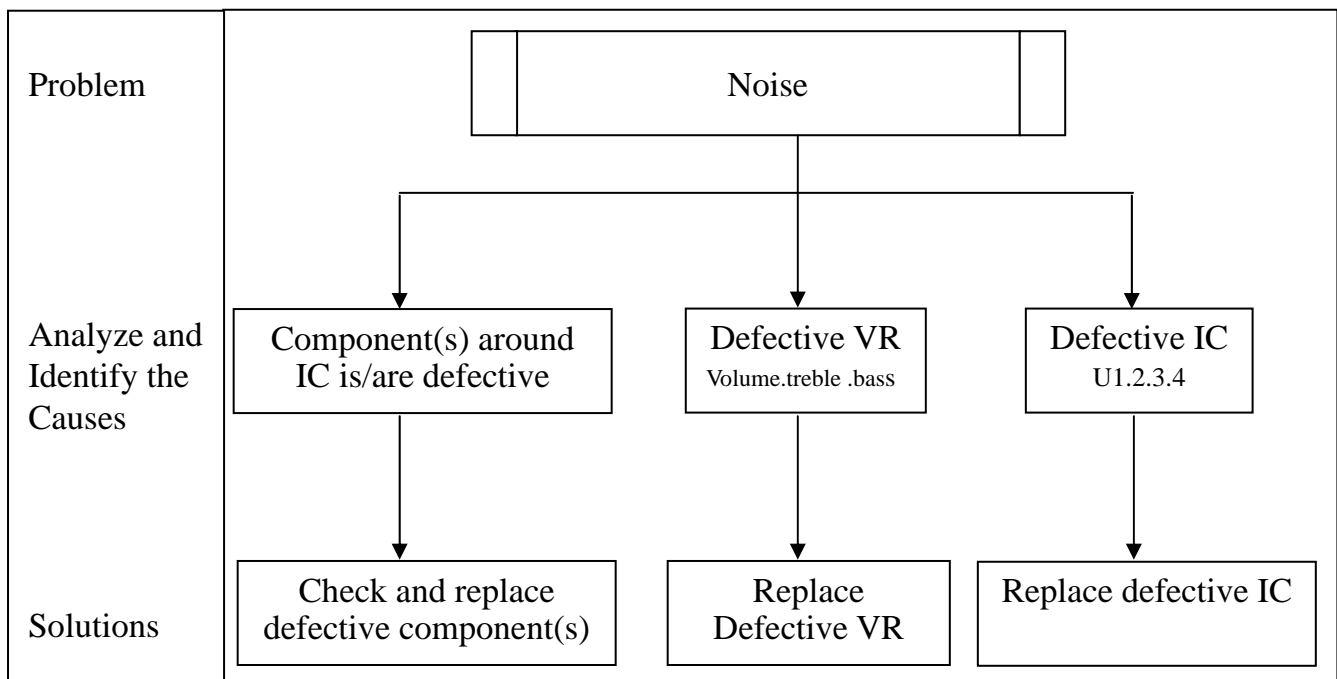
1.2.1 Power LED (indicator) unlighted



1.2.2 Does not work or one channel no sound



1.2.3 Noise

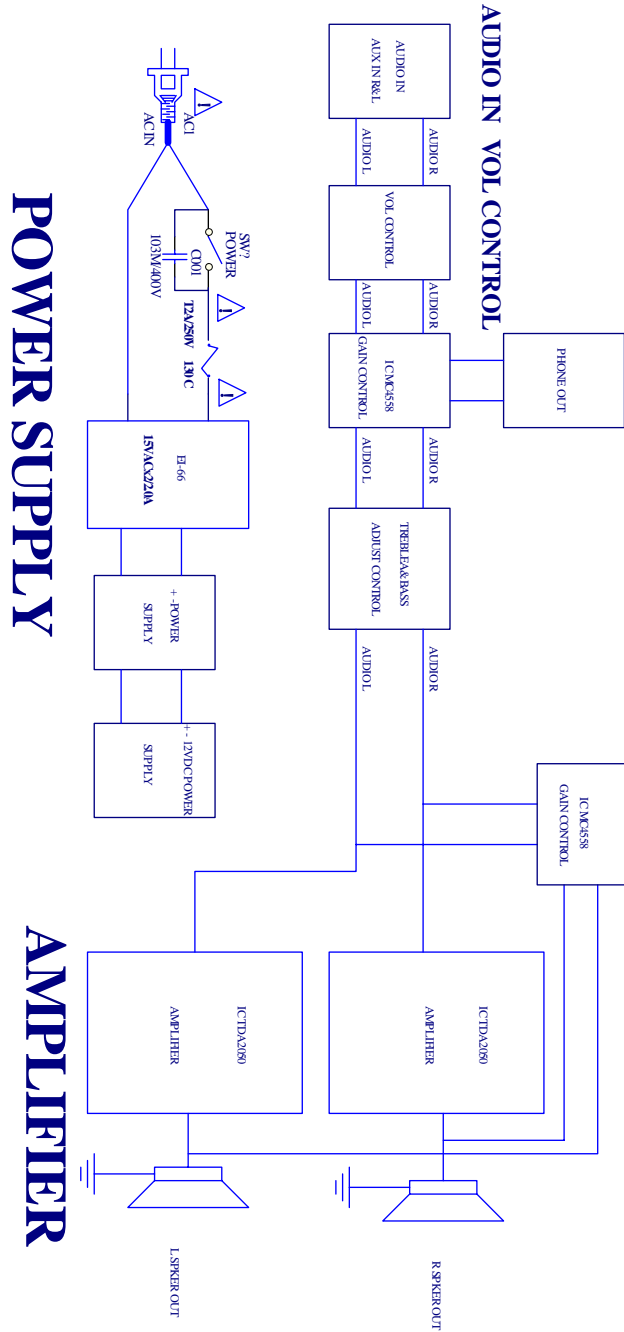


Chapter 2. Specifications

Satellite

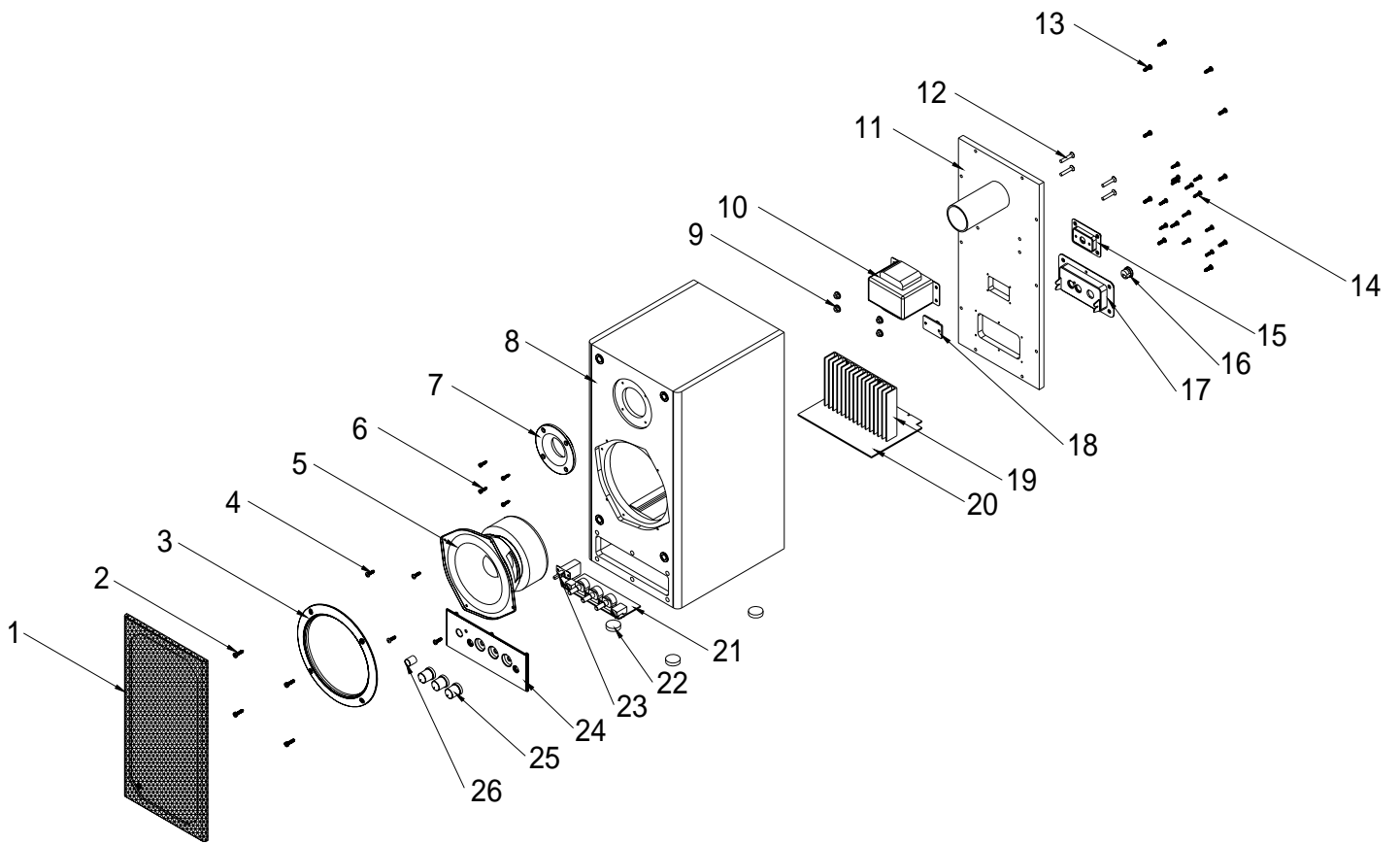
No	DESCRIPTION	UNIT	NOMINAL		LIMIT
			FR	FL	
1.	FRONT OUTPUT POWER @THD 10%	W	33	33	30
2	SENSITIVITY (1KHz) @RATED O/P POWER	mV	320	320	± 50
3	SENSITIVITY(1KHz)@1W O/P POWER	mV	50	50	± 15
4	MAX INPUT <u>LEVEL@1%</u> THD	mV	250	50	± 40
5	FREQUENCY RESPONSE(1KHz=0dB)				
		40Hz dB	-3	-3	± 0.5
		1K dB	0	0	± 0.5
		20K dB	-3	-3	± 0.5
6	S/N @RATED O/P POWER	dB	65	65	60
7	CHANNEL UNBALANCE @REF O/P POWER	dB	0.3	0.3	0.5
8	CHANNEL SEPARATION(ONE CHANNEL IN; OTHER CHANNEL INPUT SHORTING)	dB	45	45	40
9	HUM NOISE (VR MAX) (VOLUME MAX; INPUT SHORTING)	mV	5	5	10
10	HUM NOISE (VR MIN) (VOLUME MIN. INPUT SHORTING)	mV	3	3	5

Chapter 3. Block Diagram



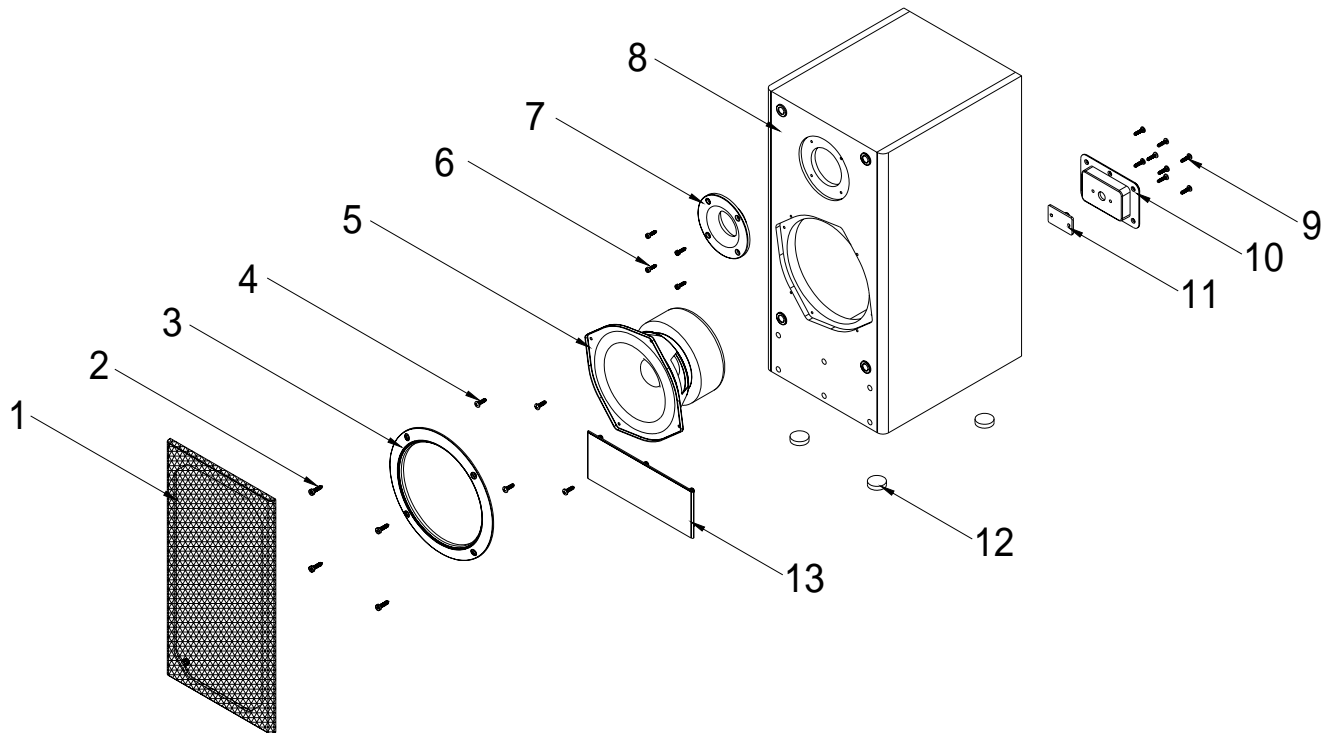
Chapter 4. Exploded View

Subwoofer



Chapter 4. Exploded View

SATELLITE



Chapter 5. Part List

Subwoofer

Ref. No.	Description	RS Part No.	Part No.
1	Fram, Pantone432C HIPS		9101087154050G01
2	Screw hexagon 1, nickel-plate		4102H35010A06G01
3	Speaker deck, spray-paint Pantone877C		0108HIPS81020G01
4	Screw BA3.5*16 Black Colo		4109B35016A02G01
5	Speaker 5.25" 4Ω 30W		084030045A112G01
6	Screw hexagon 2, zincification Black Color		4102H30012A02G02
7	Speake 3" 4Ω 20W		0820200403312G01
8	Wood-box, black Color, 9T MDF		9411040012020G01
9	Nut M4		4107300402020G01
10	Transformer, 230V 50HZ O/P:15VACx2/2.0A		2225400020001G04
11	Back Board, Black Color		1003040910230G01
12	Screw M4*16		4101N40060B02G01
13	Screw BA 3.5x20 , zincification Black Color		4102B35020A02G01
14	Screw BA 3.0x12 , zincification Black Color		4102B30012A02G01
15	Output Board, Black HIPS		0114HIPS00007G01
16	Buckle, Black PA		011600PA00003G01
17	Input Board, Black HIPS		0114HIPS00021G01
18	RCA ,		2022183084201G02
19	Heat sink, AL Silver		0405010601150G01
20	Output PCBA, IC TDA 2050AV		180103594V001G03 2100TDA2050CHG01
21	Function PCBA , Volume IC MC4558		180304594V001G01 21100MC4558CHG01
22	Rubber Foot, Black		4311020050010G01
23	Power Switch, 2PIN		241A220050001G03
24	Panel , Silver Color, Black Silk-screen		01020ABS87025G01
25	Knob Silver Color		01070ABS81002G03
26	Key press, Silver Colo		01070ABS81001G14

Chapter 5. Part List

Satellite

Ref. No.	Description	RS Part No.	Part No.
1	Fram, Pantone432C HIPS		9101087154050G01
2	Screw hexagon 1, nickel-plate		4102H35010A06G01
3	Speaker deck, spray-paint Pantone877C		0108HIPS81020G01
4	Screw BA3.5*16 Black Colo		4109B35016A02G01
5	Speaker 5.25" 4Ω 30W		084030045A112G01
6	Screw hexagon 2, zincification Black Color		4102H30012A02G02
7	Speake 3" 4Ω 20W		0820200403312G01
8	Wood-box, black Color, 9T MDF		9411040012020G02
9	Screw BA 3.0x12 , zincification Black Color		4102B30012A02G01
10	Input board, Black HIPS		0114HIPS00017G01
11	RCA , Monotrematous Yellow		2021184084101G01
12	Rubber Foot, Black		01070ABS81001G1
13	Panel , Silver Color, Black Silk-screen		01020ABS87025G02

Chapter 6. Important Notes

6.1 Packing requirement for sending the PCB assembly by post

PCB assembly is a kind of sophisticated electronic circuit board. Well packing will be required when sending them by post.

*Some sophisticated IC components are mounted on the PCB assembly, hence it is necessary to pack each PCB assembly with a separate static protecting bag, in order to avoid static electricity.

*Reliable external packing is also very important when sending the PCB assembly by post, in that it would avoid unnecessarily lost or damage.

6.2 Short of spare parts while repairing a speaker system

If you are short of spare parts when you have some speaker systems waiting to be repaired, it would be recommended to take the necessary parts from one speaker system, so that you may have the as many speaker systems

Chapter 7. Schematic Diagram

