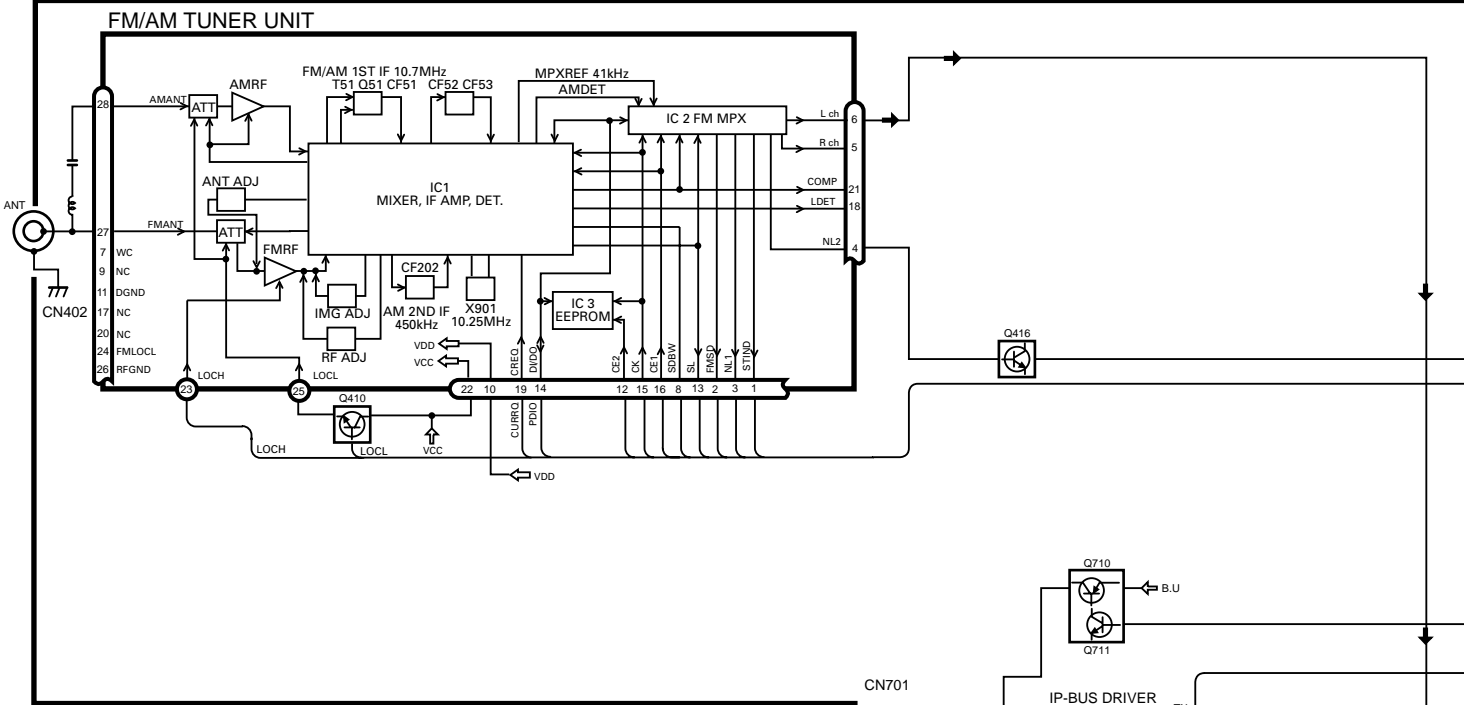
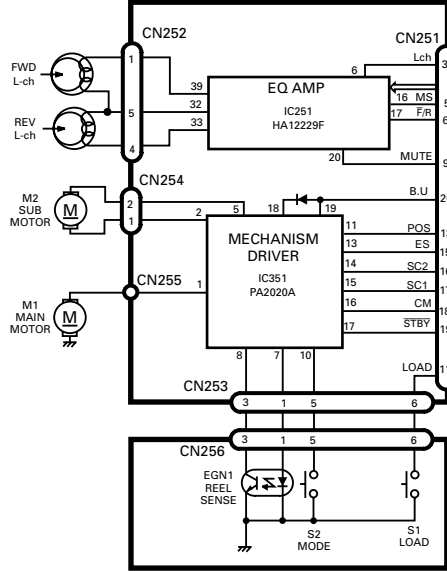


3.2 BLOCK DIAGRAM(KEH-P6025)

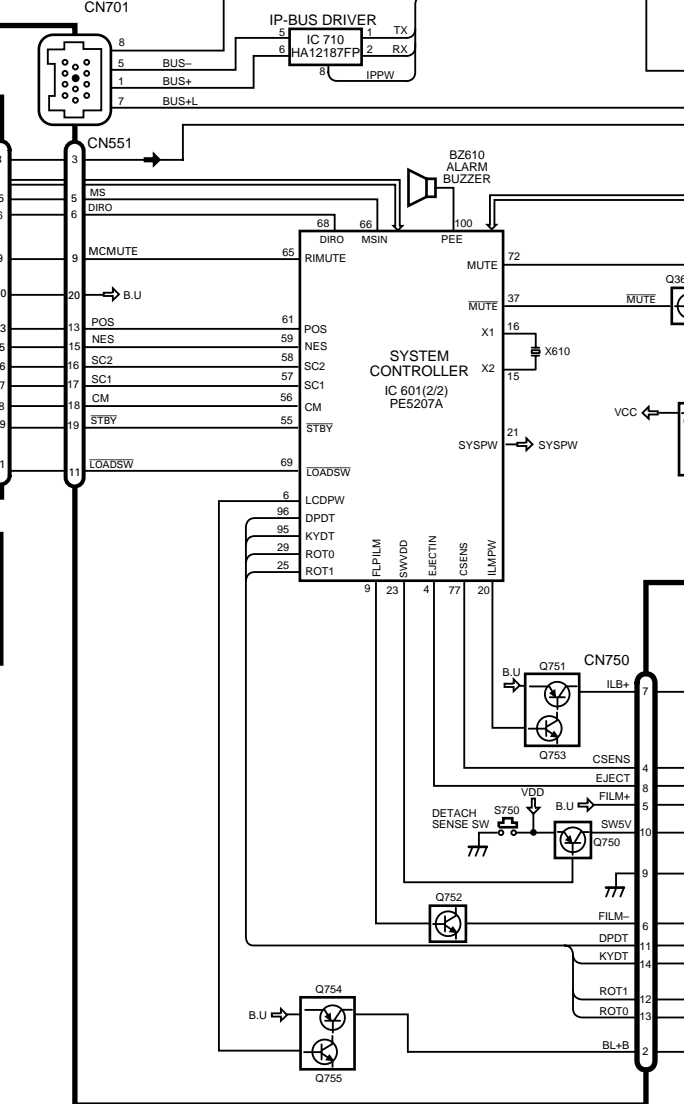
A TUNER AMP UNIT

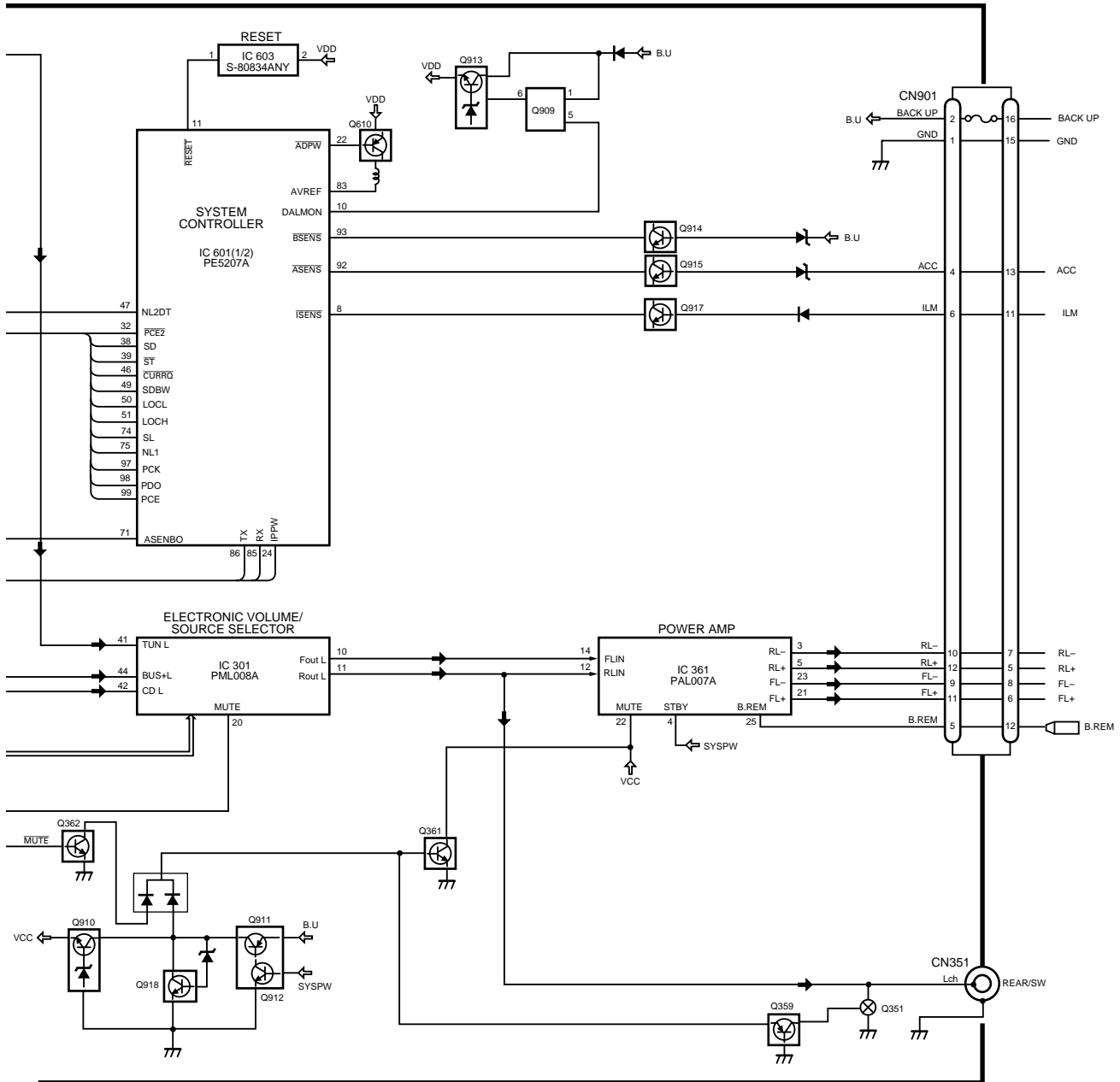


D DECK UNIT



E REEL SENSE PCB

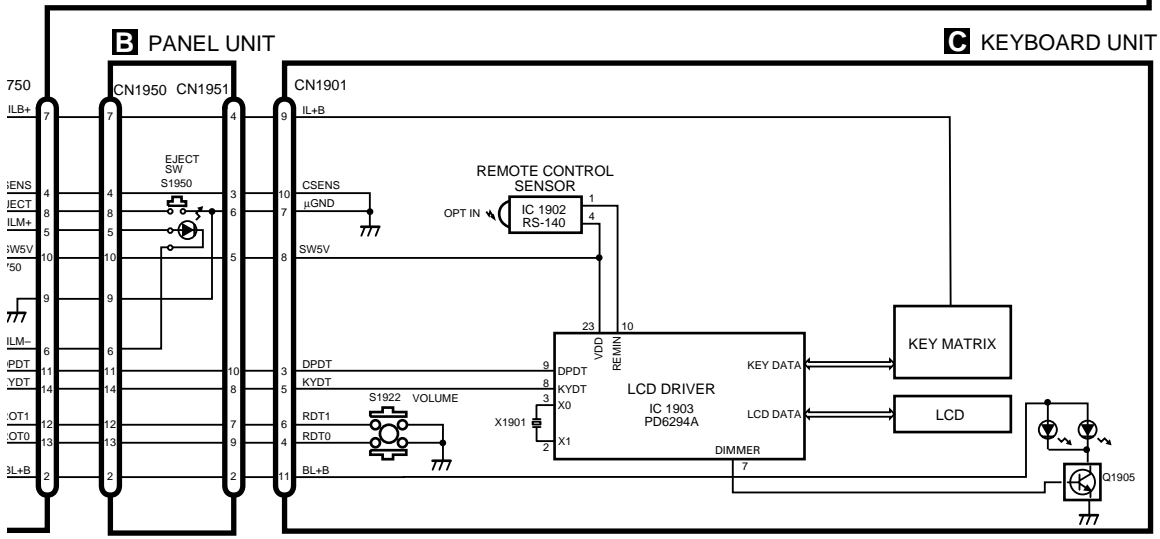




A

B

C

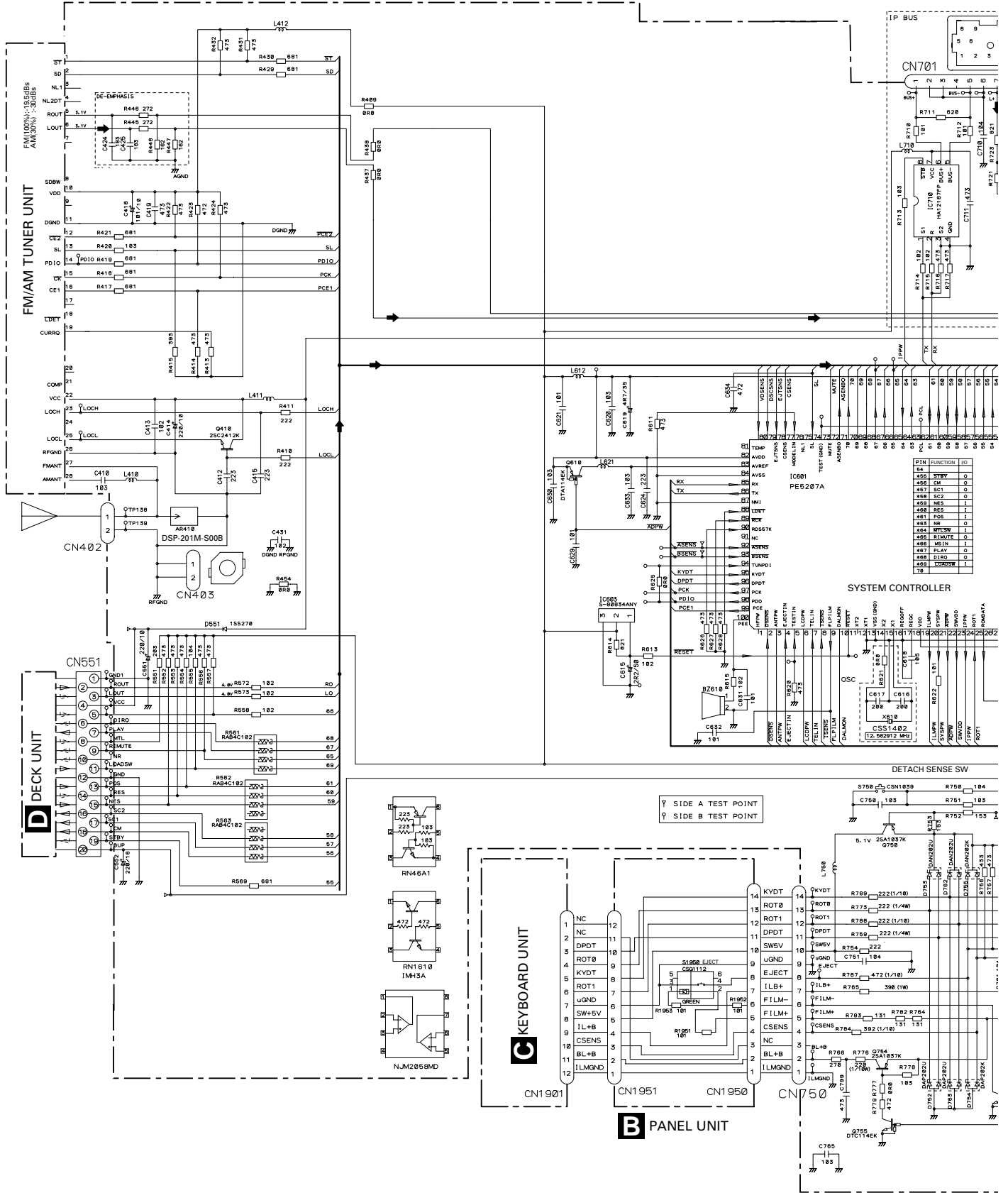


D

3.4 OVERALL CONNECTION DIAGRAM(GUIDE PAGE)(KEH-P6025)

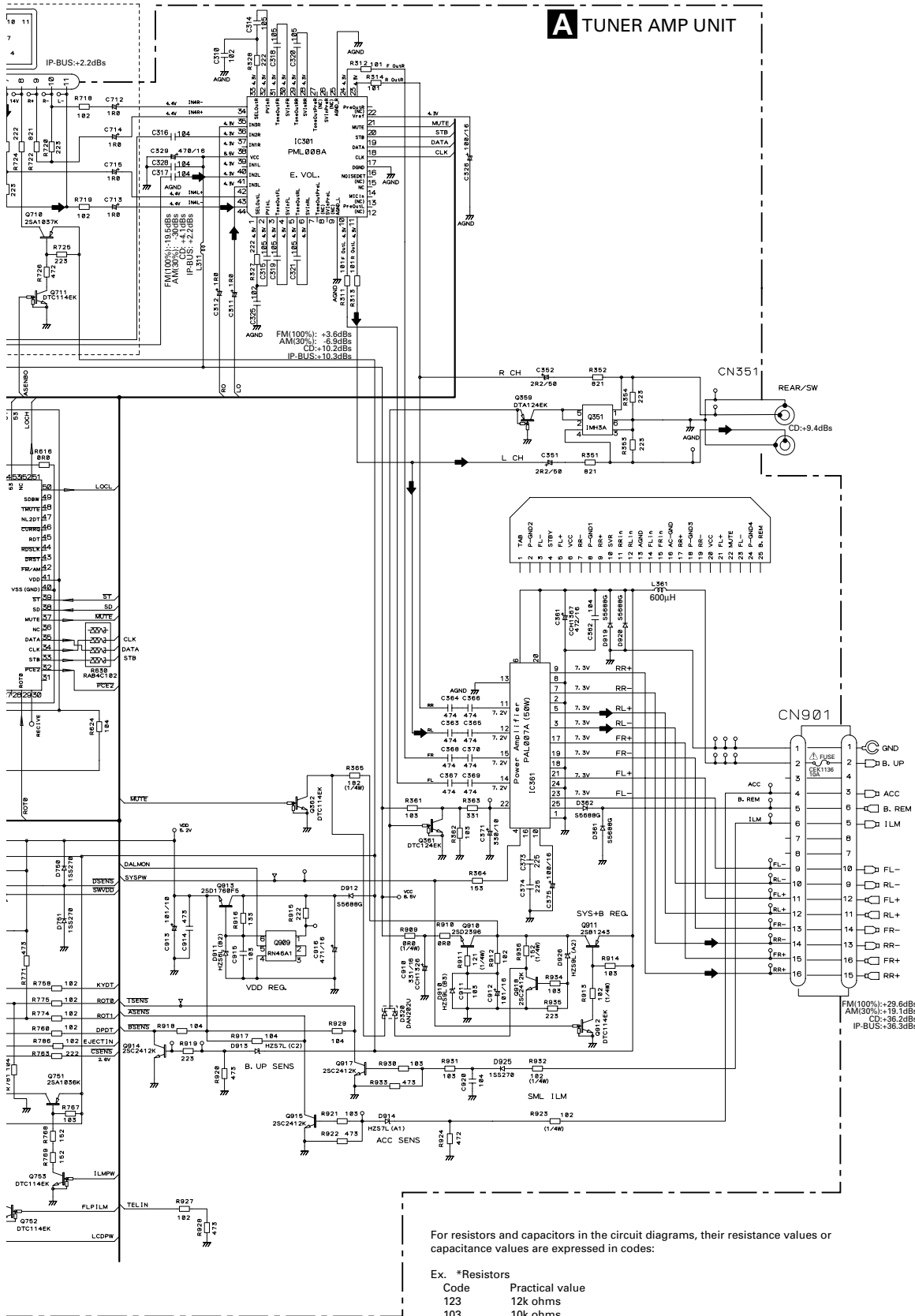
Note: When ordering service parts, be sure to refer to "EXPLODED VIEWS AND PARTS LIST" or "ELECTRICAL PARTS LIST".

A-a



A-b

A TUNER AMP UNIT



For resistors and capacitors in the circuit diagrams, their resistance values or capacitance values are expressed in codes:

Ex. *Resistors
 Code Practical value
 123 12k ohms
 103 10k ohms

*Capacitors
 Code Practical value
 103 0.01uF
 101/10 100uF/10V

The Δ mark found on some component parts indicates the importance of the safety factor of the part. Therefore, when replacing, be sure to use parts of identical designation.

