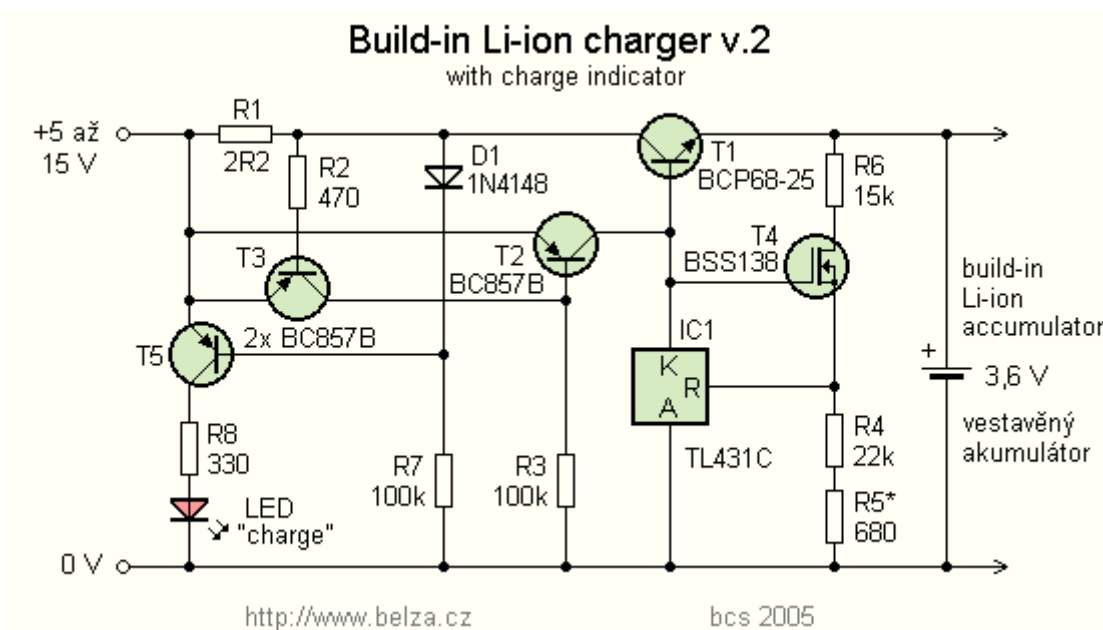
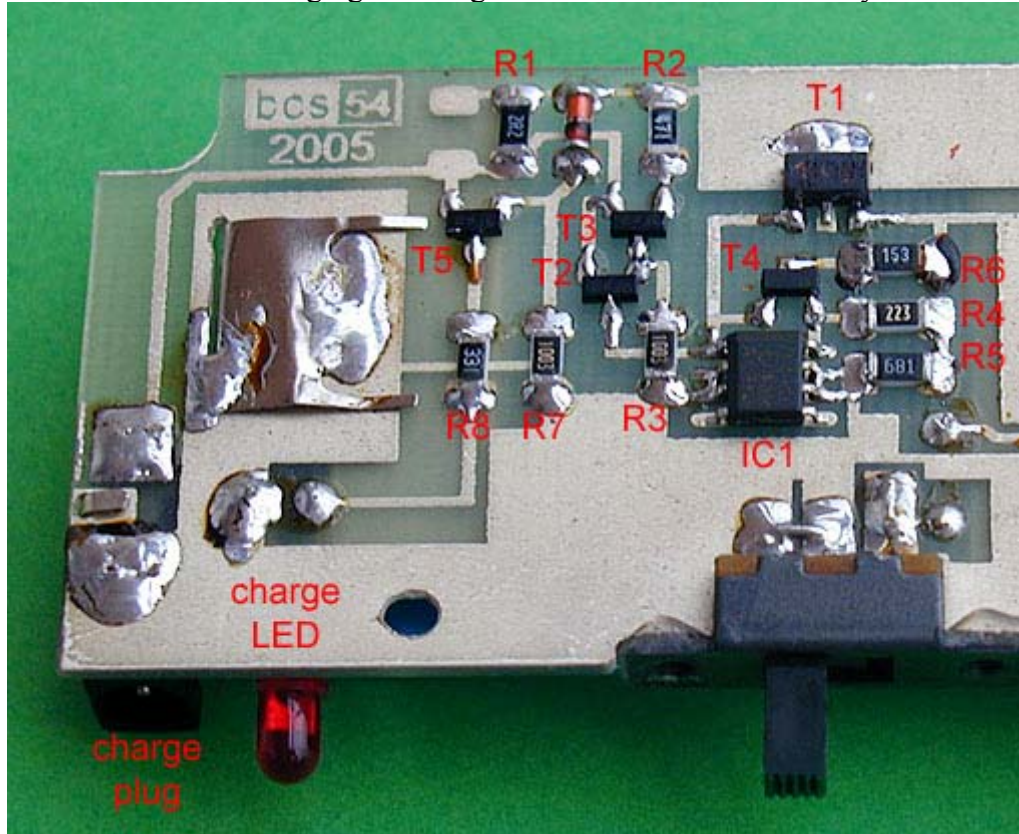
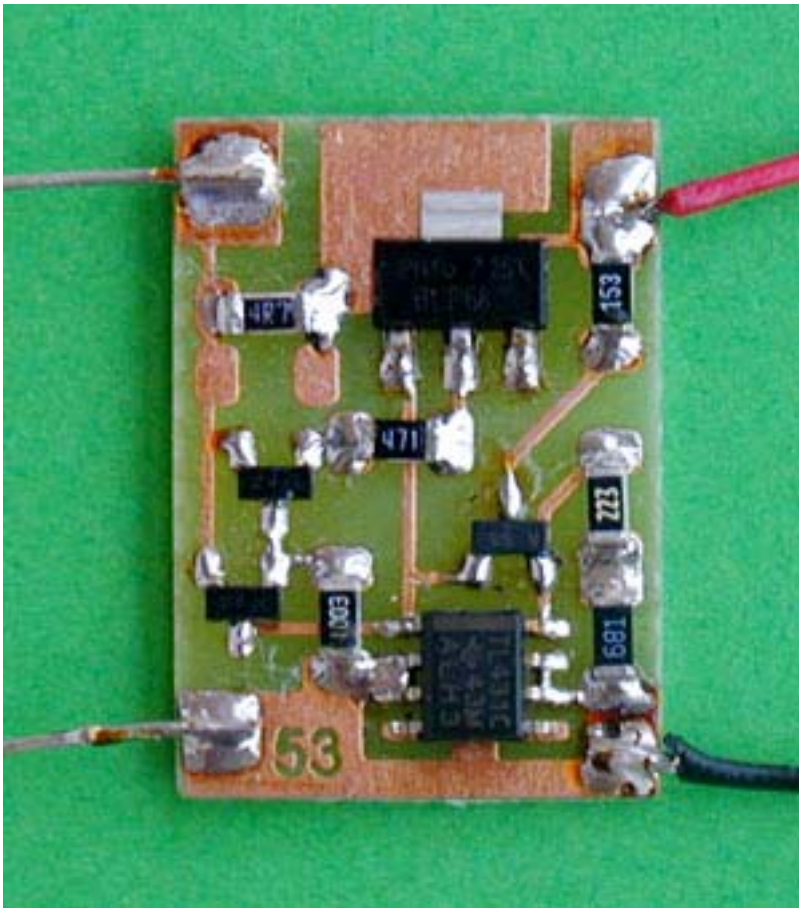


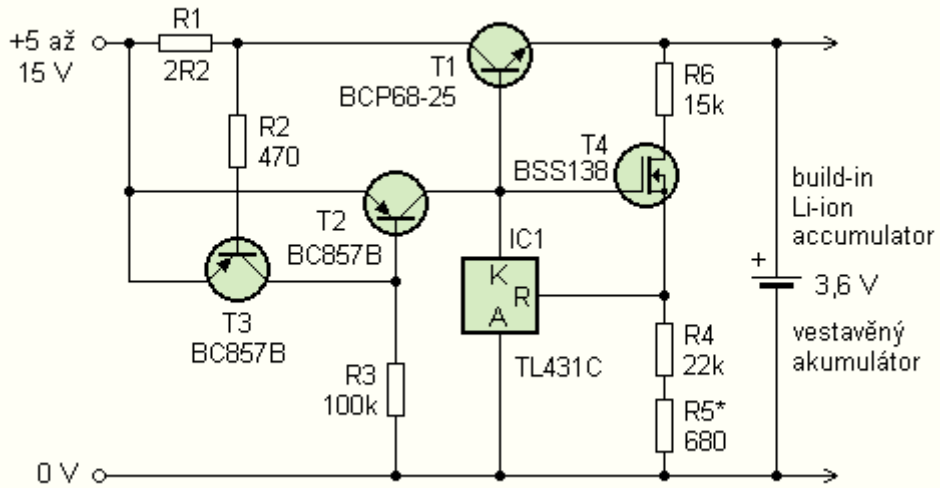
Зарядные устройства. -> Зарядник аккумуляторов на Li-ion TL431
 Li-ion зарядка аккумуляторов на TL431

This is a simple to build charger for single 3.7V lipo battery. The heart of the charger is TL431 shunt regulator that controls the incoming current. Charger comes with a convenient charging LED indicator. As charging current goes down so does the intensity of the LED.





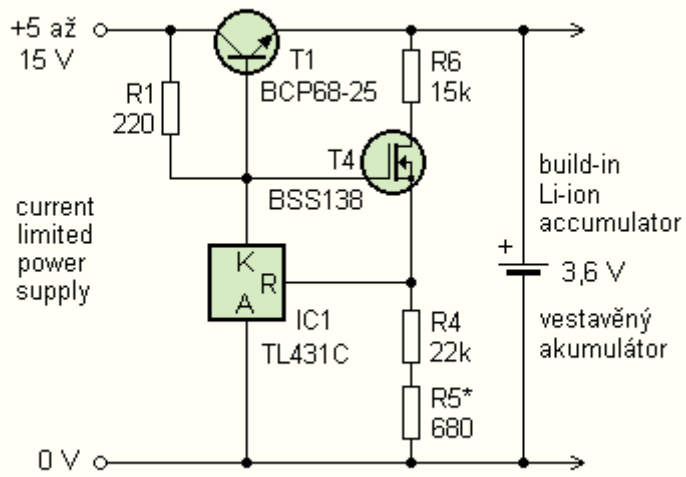
Build-in Li-ion charger v.2



<http://www.belza.cz>

bcs 2005

Build-in Li-ion charger v.2



<http://www.belza.cz>

bcs 2005

