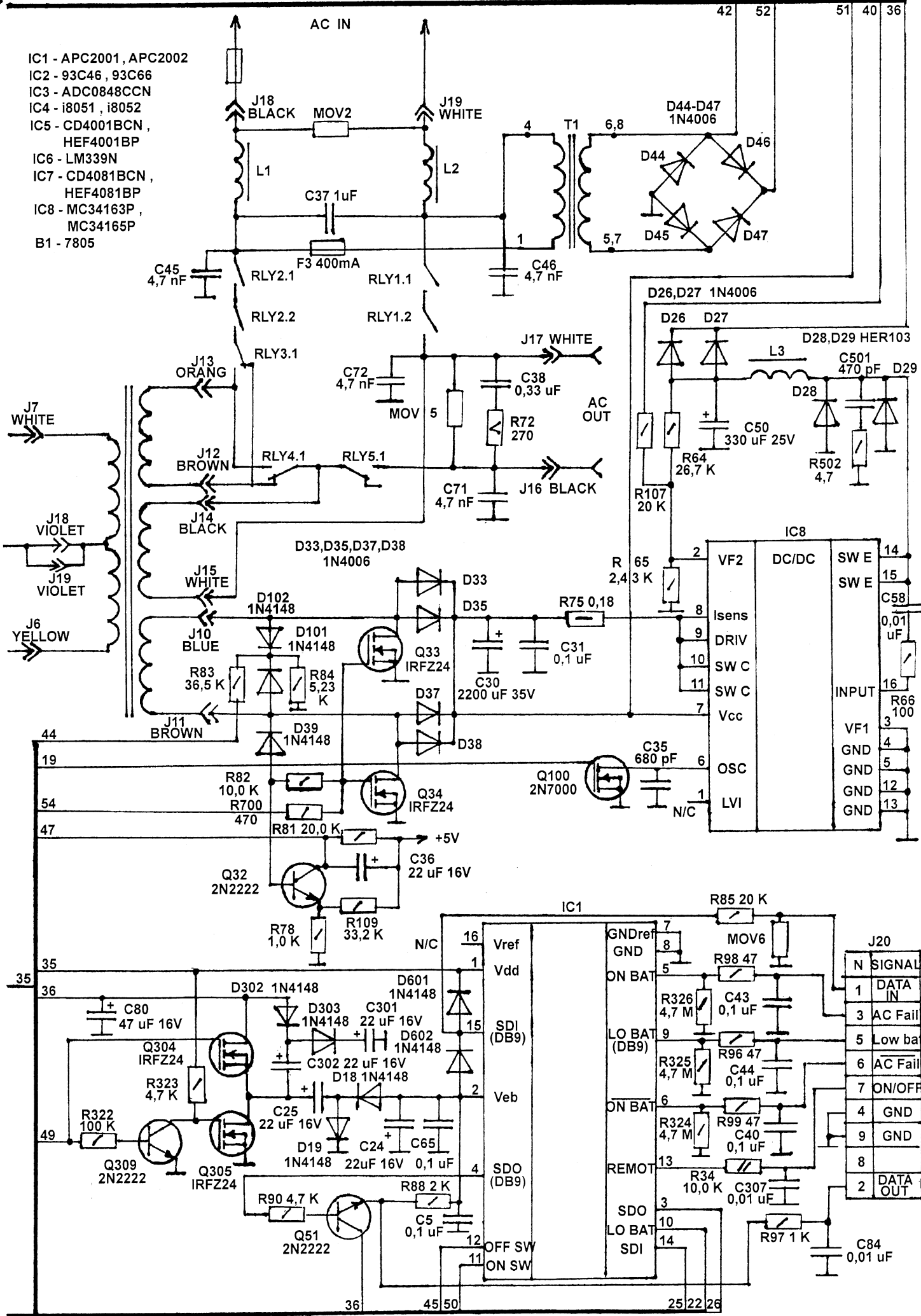


- IC1 - APC2001, APC2002
- IC2 - 93C46, 93C66
- IC3 - ADC0848CCN
- IC4 - i8051, i8052
- IC5 - CD4001BCN, HEF4001BP
- IC6 - LM339N
- IC7 - CD4081BCN, HEF4081BP
- IC8 - MC34163P, MC34165P
- B1 - 7805



| N | SIGNAL   |
|---|----------|
| 1 | DATA IN  |
| 3 | AC Fail  |
| 5 | Low bat  |
| 6 | AC Fail  |
| 7 | ON/OFF   |
| 4 | GND      |
| 9 | GND      |
| 8 |          |
| 2 | DATA OUT |