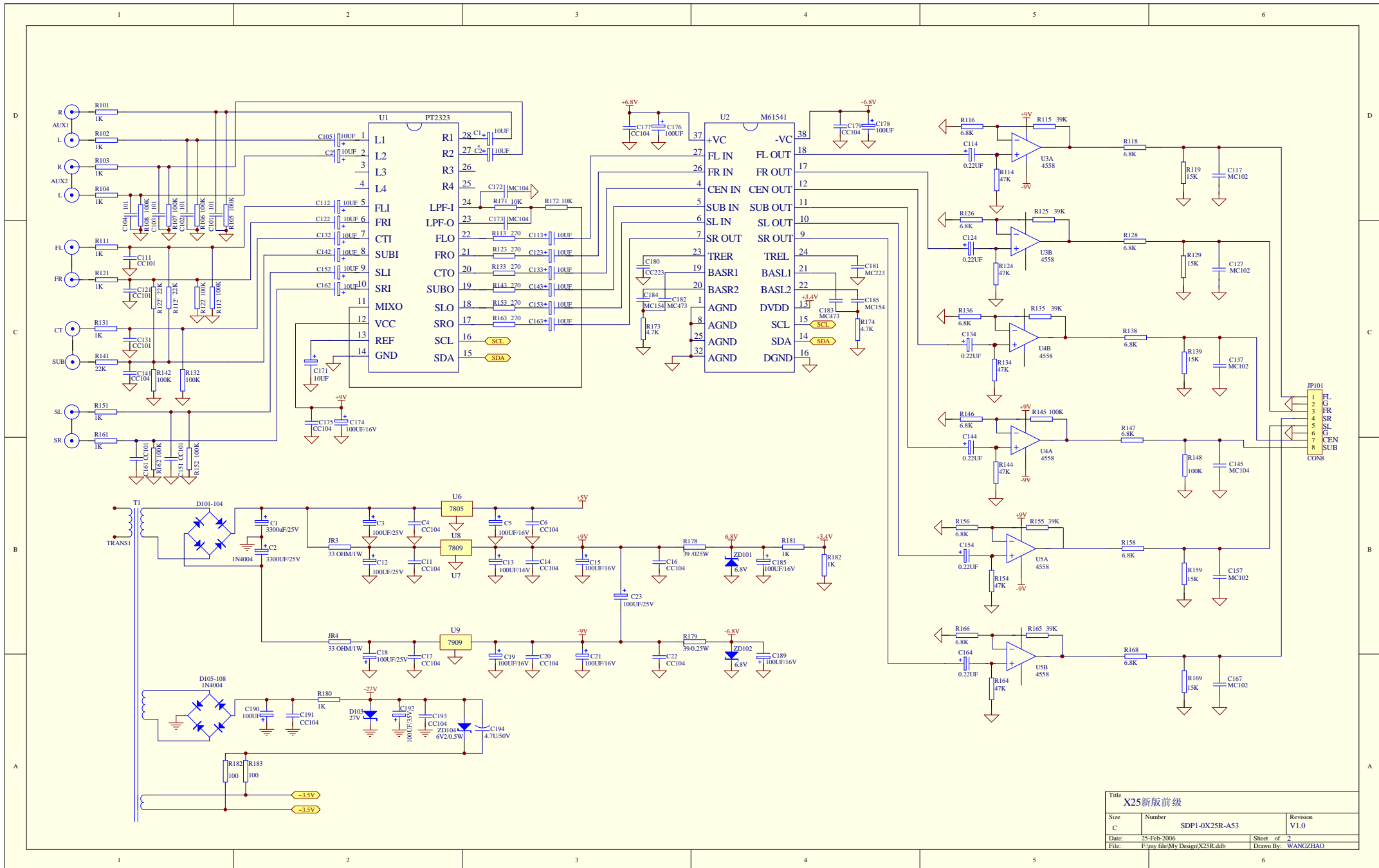
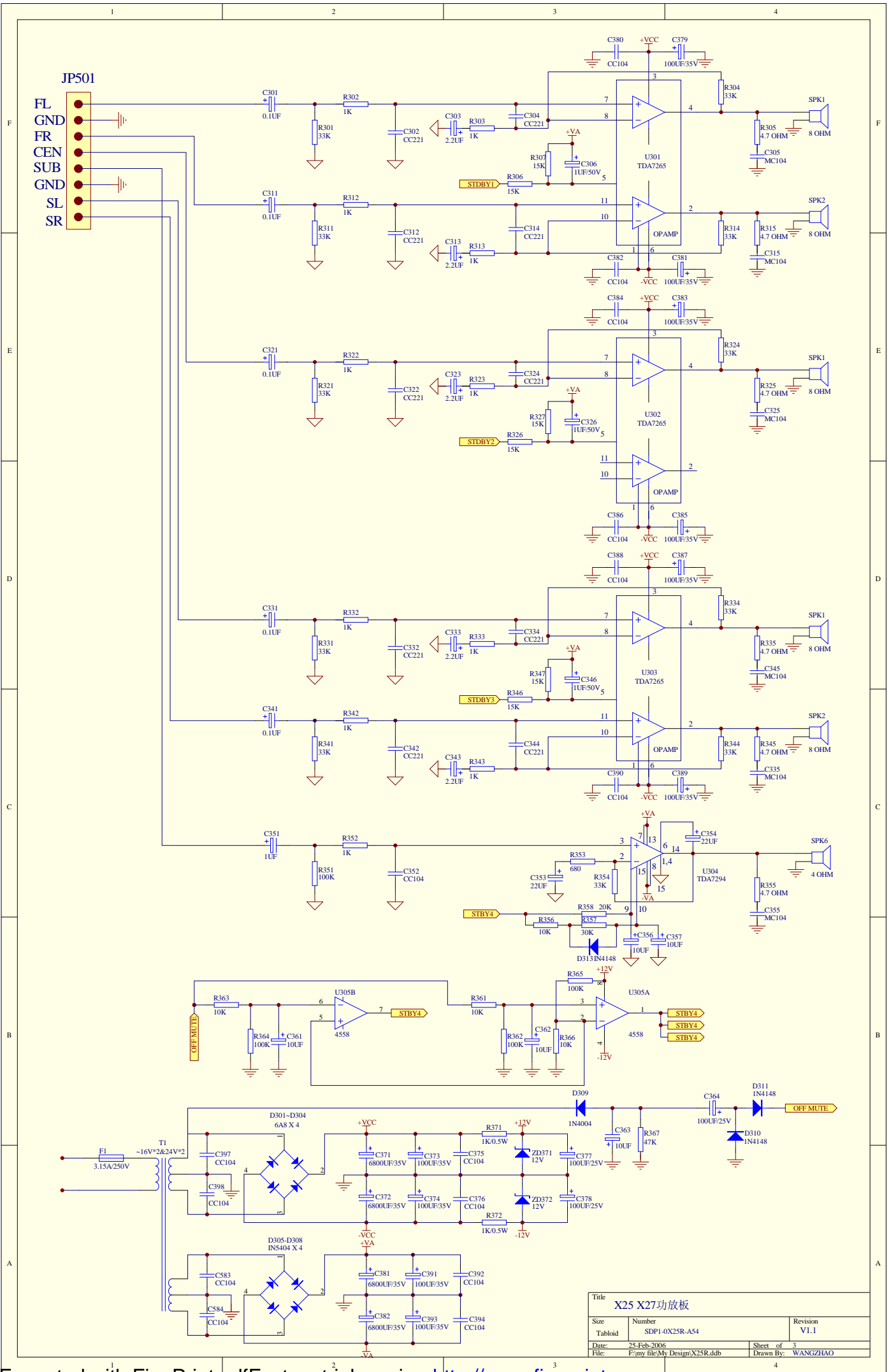


X25 面板电原理图

Title		
X25 X27 DISP		
Size	Number	Revision
B	SDP1-0X25R-A51/52	V1.0
Date:	25-Feb-2006	Sheet of 1
File:	F:\my file\My Design\X25R.ddb	Drawn By: WANGZHAO



Title X25新版前级		
Size	Number	Revision
C	SDP1-0X25R-A53	V1.0
Date:	25-Feb-2006	Sheet of 2
File:	F:\my file\My Design\X25R.ddb	Drawn By: WANGZHAO



Title			X25 X27功放板		
Size	Number	Revision			
Tabloid	SDP1-0X25R-A54	V1.1			
Date:	25-Feb-2006	Sheet of	3		
File:	F:\my file\My Design\X25R.ddb	Drawn By:	WANGZHAO		