

**Custom:**

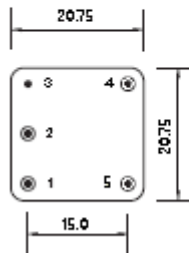
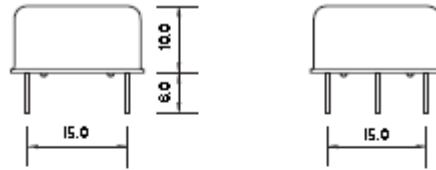
10.0000MHz

Low Profile

Replaces  
TB35.2.0226



**Dimensions (mm):**



Pins viewed from bottom  
pin diameter 0.45mm

**Pin Connections:**

- #1 +Vcc
- #2 output 1
- #3 ground/case
- #4 Trim
- #5 output 2

**Custom specification:**

**custom part number** OX0225-1000-008  
**frequency:** 10.0000 MHz  
**tolerance:** ±0.02ppm(-20 +70)°C  
**output 1:** Sine 0dBm. ± 1dB (50Ω)  
**output 2:** Low Voltage CMOS  
 Rise/fall time 5 n.s. max  
**supply voltage:** +5Vd.c.

**Generic specification:**

**stability:**  
 against V<sub>cc</sub> change ±0.002ppm max., V<sub>cc</sub> ±5%  
 against load change ±0.002ppm max., load ±10%  
 ageing short term ±0.0002ppm max./day after 30 days continuous operation  
 ageing long term ±0.05ppm max./year after 30 days continuous operation  
 trim ±1ppm typical (0.5 to 4.5 V, 2.5 V centre) 100KΩ input impedance.

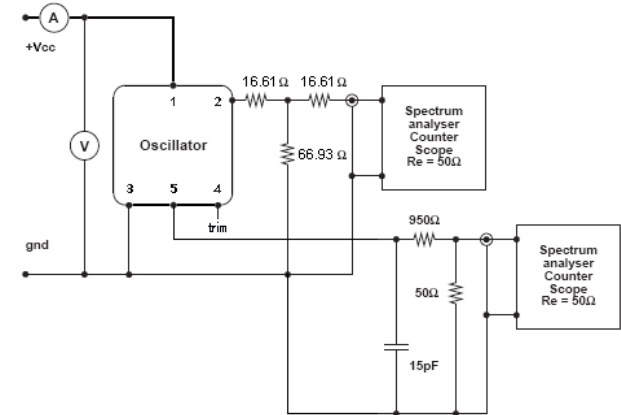
**power supplies:**  
 start up current 550mA max.,  
 quiescent current <120mA, +25°C  
 warm up time 2 minutes max. to within ±0.1ppm of nominal  
 insulation resistance 500MegΩ min., 100Vd.c.

**phase noise:**  
 single sideband -90dBc/Hz, f<sub>o</sub>+1Hz  
 -125dBc/Hz, f<sub>o</sub>+10Hz  
 -145dBc/Hz, f<sub>o</sub>+100Hz  
 -160dBc/Hz, f<sub>o</sub>+1KHz  
 -165dBc/Hz, f<sub>o</sub>+10KHz

**temperature:**  
 operating range (-20 +70)°C  
 storage range (-40 +125)°C

**marking:** part number, frequency, date code, serial number

**Test circuit:**



test circuit includes 6dB pad and 20:1 step down.

**Environmental conditions:**

**mechanical shock:** MIL standard 202F, method 213, condition J  
**thermal shock:** MIL standard 202F, method 107, condition A  
**vibration:** MIL standard 202F, method 204, condition B  
**solderability:** 5 seconds max. +230°C  
 3 seconds max. +350°C  
**RoHs:** RoHs Compliant.



**RFX Limited**  
 precision  
 oscillators

Unit 11A, Oakbank Park  
 Livingston,  
 West Lothian  
 Scotland, EH53 0TH

Tel: +44 (0)1506 439222  
 Fax: +44 (0)1506 439333  
 e-mail: [sales@rfx.co.uk](mailto:sales@rfx.co.uk)  
 url: <http://www.rfx.co.uk>