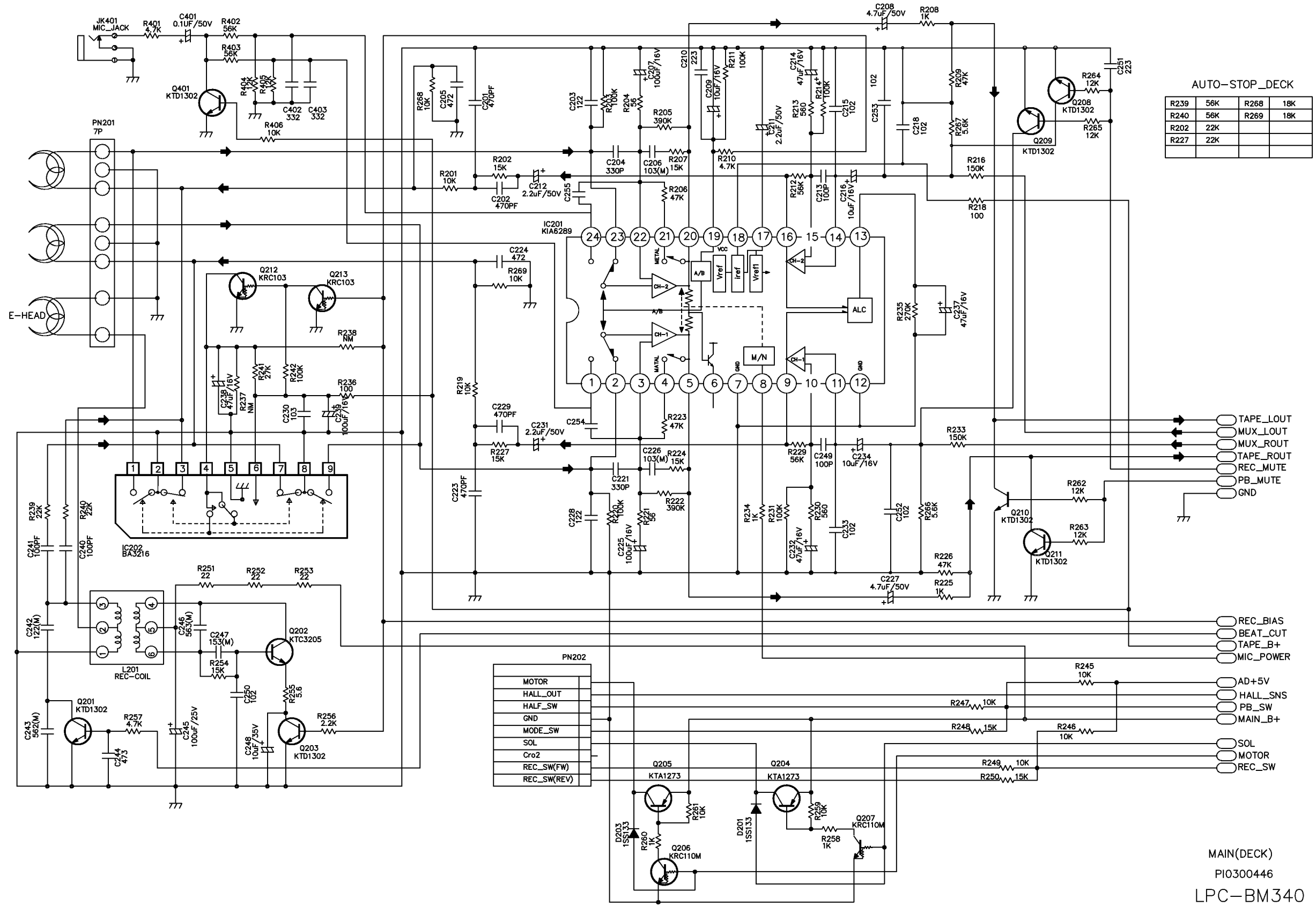


3. DECK SCHEMATIC DIAGRAM



AUTO-STOP_DECK

R239	56K	R268	18K
R240	56K	R269	18K
R202	22K		
R227	22K		

- TAPE_LOUT
- MUX_LOUT
- MUX_ROUT
- TAPE_ROUT
- REC_MUTE
- PB_MUTE
- GND
- REC_BIAS
- BEAT_CUT
- TAPE_B+
- MIC_POWER
- AD+5V
- HALL_SNS
- PB_SW
- MAIN_B+
- SOL
- MOTOR
- REC_SW

MAIN(DECK)
PI0300446
LPC-BM340