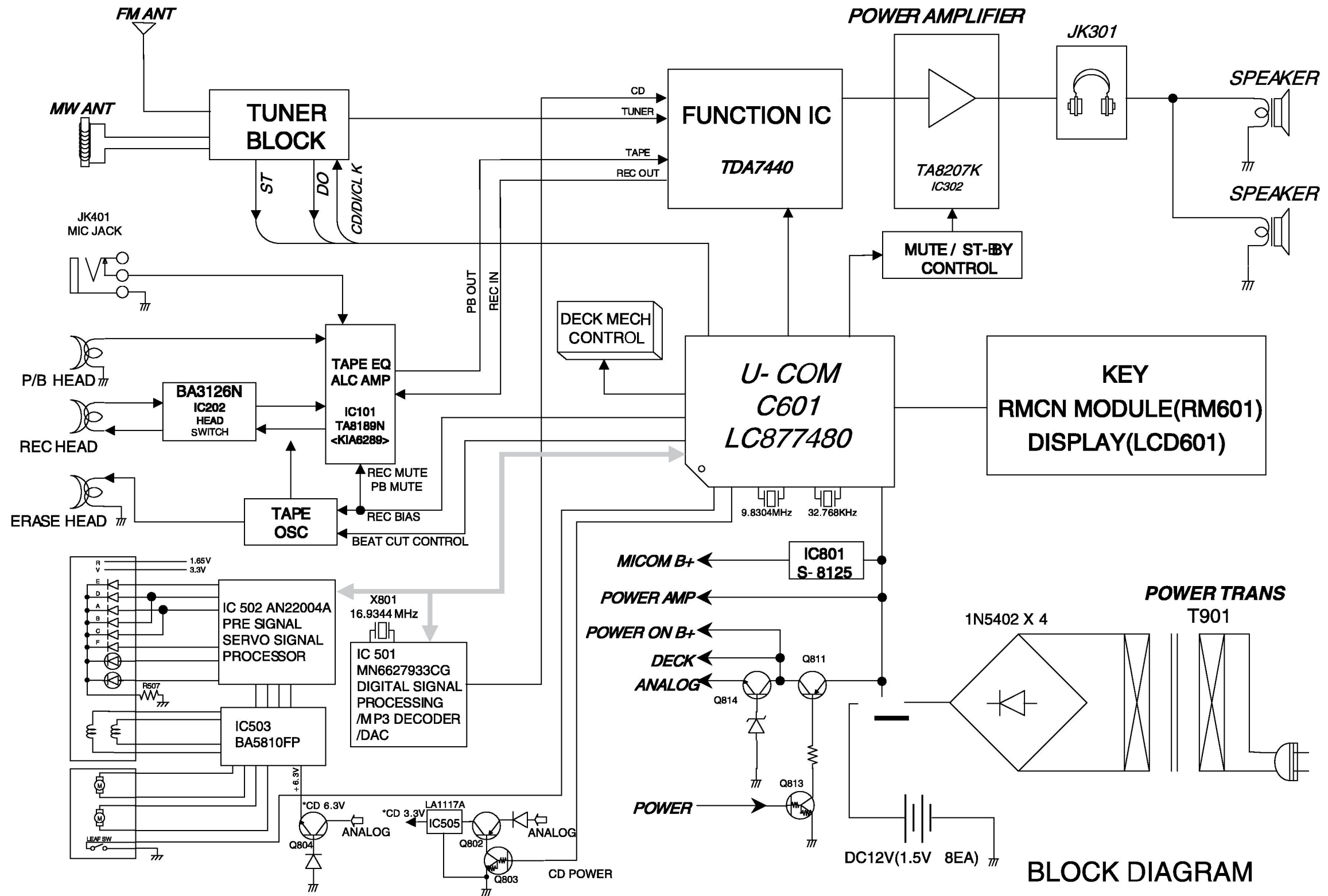


□ BLOCK DIAGRAM



BLOCK DIAGRAM
MODEL : LPC- LM340