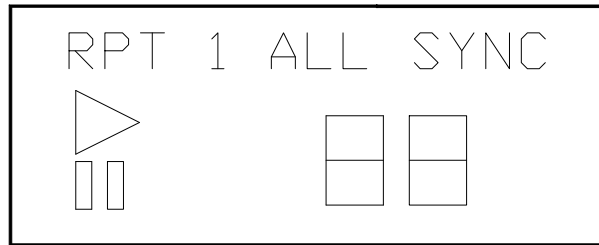


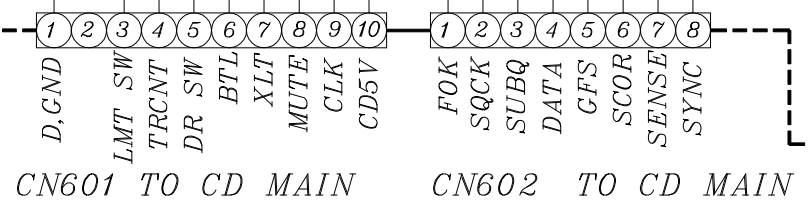
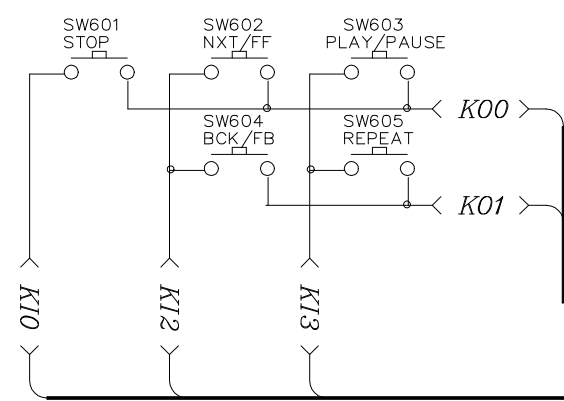
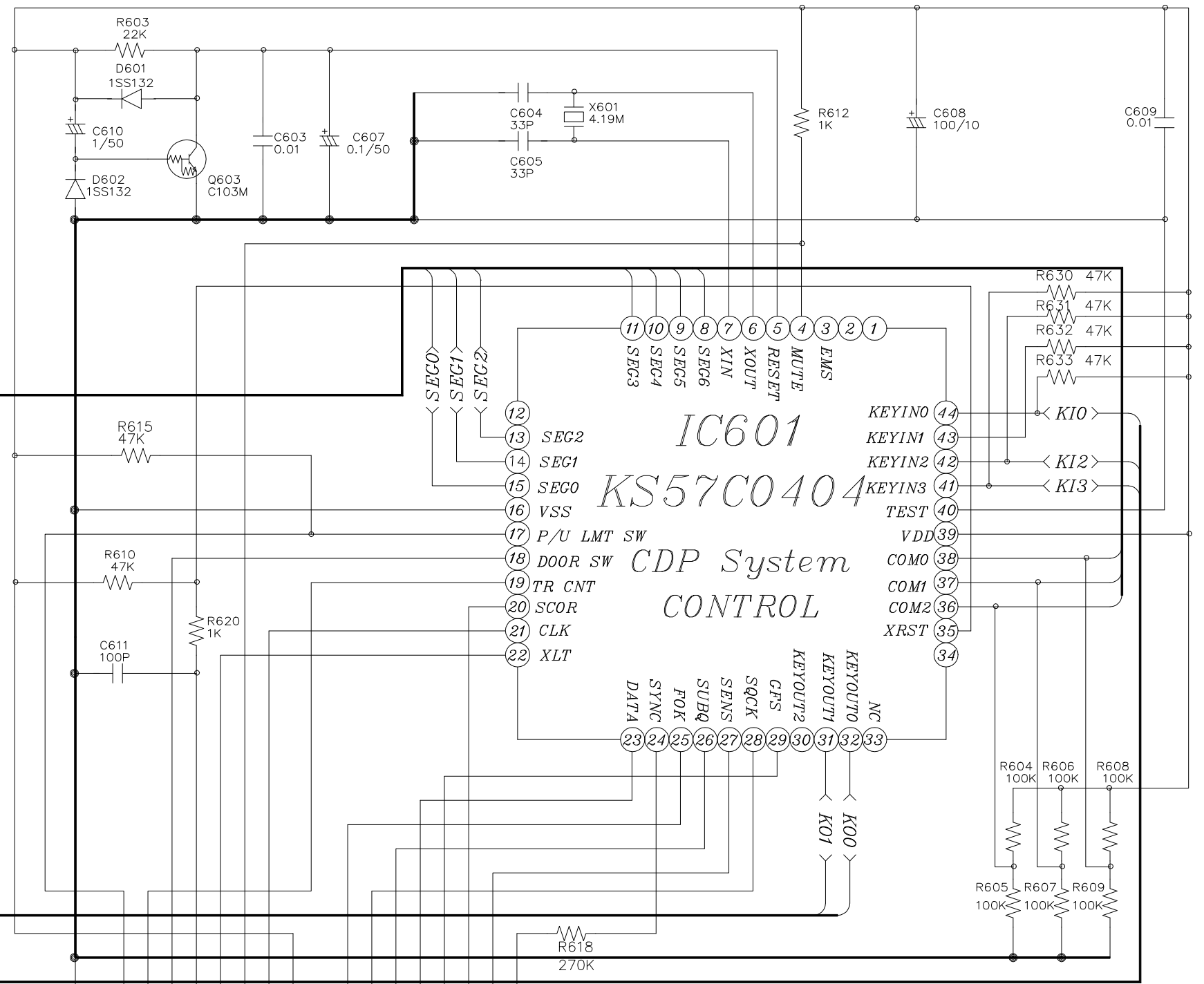
TO KEY PCB

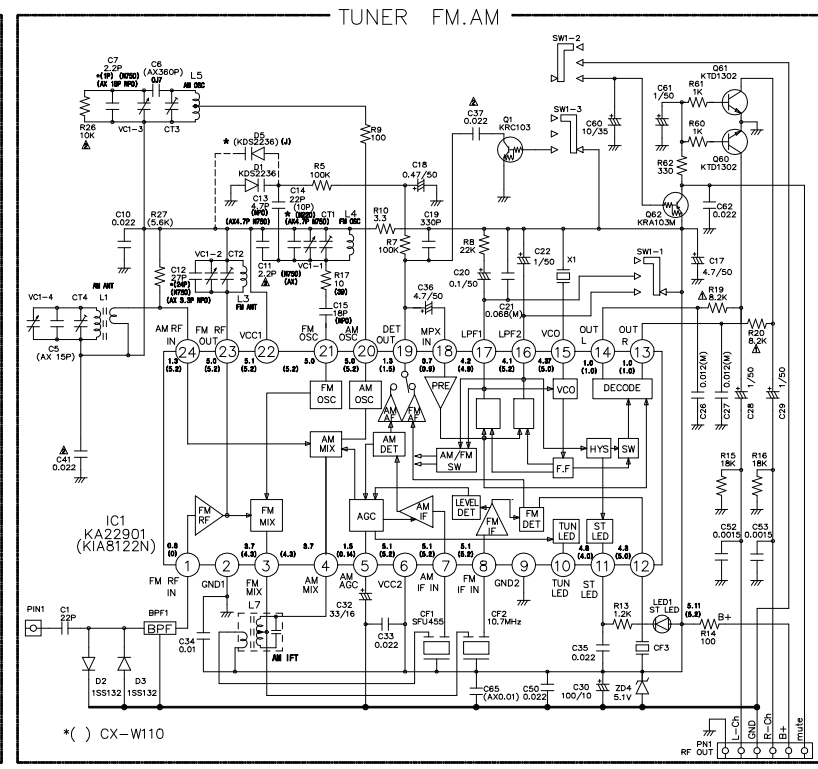
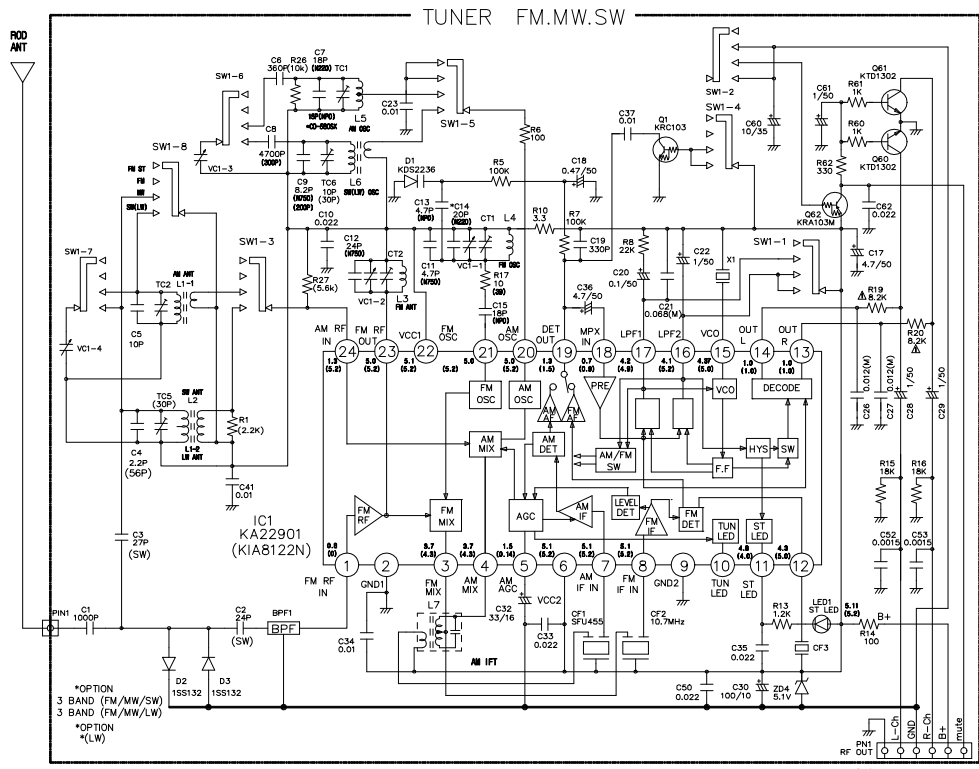
KEY BOARD

LCD601



COM0
COM1
COM2
SECO
SEC1
SEC2
SEC3
SEC4
SEC5
SEC6





*OPTION LIST

NO	SYMBOL	(CD - 580)	BAND	MODEL	NOTE	
1	VCI	622-010M	622-009M	622-010M	622-009M	VARIORON
2	BPF1	616-011G	616-011G	616-011G	616-011G	BPF
3	SW1	656-622F	656-622G	656-622G	656-622G	BAND SW
4	TC5/TC6	X/10P	X/X	X/X	X/X	3 BAND
5	L1	634N048B	634N048B	634N048B	634N048B	AM(M) ANT COIL
6	L2	634-020F	X	X	X	SW BAND
7	L3	634N048B	634N048B	634N048B	634N048B	FM ANT COIL
8	L4	634N048B	634N048B	634N048B	634N048B	FM REC COIL
9	L5	634N048B	634N048B	634N048B	634N048B	AM(M)W OSC
10	L6	634N048B	X	X	X	3 BAND
11	VR130	470B	470B	1K8	470B	
12	D1	O	O	O	O	AFC DIODE
13	D5	X	X	X	X	AFC DIODE
14	R6	X	X	X	X	3 BAND 100 Ohm
15	R9	X	O	O	O	2 BAND 100 Ohm
16	R26	X	10K	10K	10K	
17	R133	330	330	330	330	
18	R111,161	2.7K	2.7K	2.7K	3.9K	2.7K
19	R119,169	68K	68K	68K	56K	68K
20	R130,180	12K	12K	12K	15K	12K
21	R141	180	180	180	220	180
22	R303,353	150	150	150	120	150
23	C1	1000P	22P	22P	22P	22P
24	C2	24P	J/W	J/W	J/W	J/W
25	C3	27P	X	X	X	3 BAND
26	C4	2.2P	X	X	X	3 BAND
27	C5	10P	X	15P	X	3 BAND
28	C6	360P	X	X	X	3 BAND
29	C7	18P	X	18P	N/P	3 BAND
30	C8	4700P	X	X	X	3 BAND
31	C9	8.2P	X	X	X	3 BAND
32	C11	4.7P	2.2P	2.2P	2.2P	2.2P(4750)
33	C12	24P	27P	3.3P	N/P	24P
34	C13	4.7P	4.7P	4.7P	N/P	(N/P)
35	C14	20P	22P	4.7P	N/P	(N/P)
36	C23	0.01	J/W	J/W	J/W	J/W
37	C65	X	X	0.01	X	X
38	C101,151	1000P	1000P	1000P	680P	1000P

NO	SYMBOL	F/M/S	FM AM	580A	585*	W10	NOTE
39	CT02,152	1000P	1000P	1000P	680P	1000P	
40	C130,180	0.0018	0.0018	0.0018	0.0018	0.0018	
41	C143	0.001(M)	0.001(M)	0.001(M)	0.001(M)	0.001(M)	
42	OU1,3,6	X	O	O	O	O	2 BAND
43	OU7	X	O	360P	O	O	360P
44	OU10,12,18	X	O	O	O	O	2 BAND
45	OU21,23,23	X	X	X	X	X	3 BAND
46	OU25,26	O	X	X	X	X	3 BAND
47	OU27	O	X	O	X	X	3 BAND
48	OU28,30	O	X	X	X	X	3 BAND
49	OU31,33,34	O	X	X	X	X	3 BAND
50	OU35,36,37	O	X	X	X	X	3 BAND
51	OU38,39	O/O	X/O	X/O	X/O	X/O	3 BAND
52	OU40,41	X	X	X	X	X	LW BAND
53	F902	9FT250B513	X	X	X	X	W/VOLTAGE
54	F903	9FT250B513	B513	B513	B511	A510	W/VOLTAGE
55	*OPTION	X	X	X	X	O	MIC
56	OU901,910	110-120V	ONLY				P/T ASSY
57	OU920	220-240V	ONLY				
58	*OPTION	W/VOLTAGE	ONLY				

*TR OLD NEW NO LIST	
OLD NO	NEW NO
KRC1203	KRC103M
KRC1210	KRC110M
KRC111M	KRC111M
KRC102M	KRC102M
KRA2202	KRA102M
KRA2203	KRA103M
KRA2204	KRA104M

*TR OLD NEW NO LIST	
OLD NO	NEW NO
KTA1015	KTA1266
KTC1815	KTC3198
KTC1959	KTC3202
KTC732TMBL	KTC3198TMBL
KTB834	KTB988
KTC236A	KTC3205
KTD2058	KTD2012
KTA966A	KTA1273

