

4-Channel Audio Processor**PT2311**

DESCRIPTION

PT2311 is a four-channel digital control audio processor utilizing CMOS Technology. Volume, Bass, Balance, Front/Rear Fader Processor, Selectable Input Gain are incorporated into a single chip having the highest performance and reliability with the least external components. All functions are programmable using the I²C Bus. PT2311 is housed in 28-pin SOP Package. The 28-pin version provides additional Two Band Tone Control and Loudness Function and is pin-to-pin compatible with TDA7313. Pin assignments and application circuits are optimized for easy PCB layout and cost saving advantages.

FEATURES

- CMOS Technology
- Least External Components
- Treble and Bass Control (available only in the 28-pin version)
- Loudness Function (available only in the 28-pin version)
- 3 Stereo Inputs with Selectable Input Gain
- Input/Output for External Noise Reduction System/Equalizer
- 4 Independent Speaker Controls for Fader and Balance
- Independent Mute Function
- Volume Control in 1.25 dB/step
- Low Distortion
- Low Noise and DC Stepping
- Controlled by I²C Bus Micro-Processor Interface

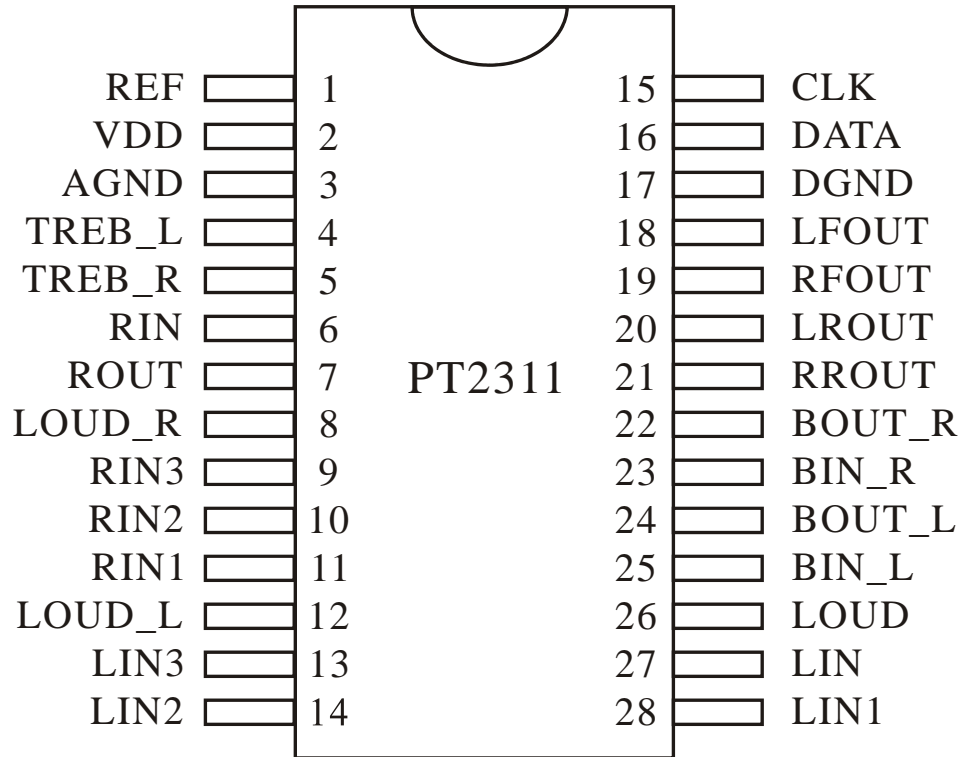
APPLICATIONS

- Car Stereo (Audio)
- Hi-Fi Audio System
- Purchase of I²C Component of Princeton Technology Corporation (PTC) conveys a license under Philips.
 - *I²C Patent Right to use these components in any I²C System, provided that the system conforms to the I²C Standard Specification defined by Philips.

4-Channel Audio Processor

PT2311

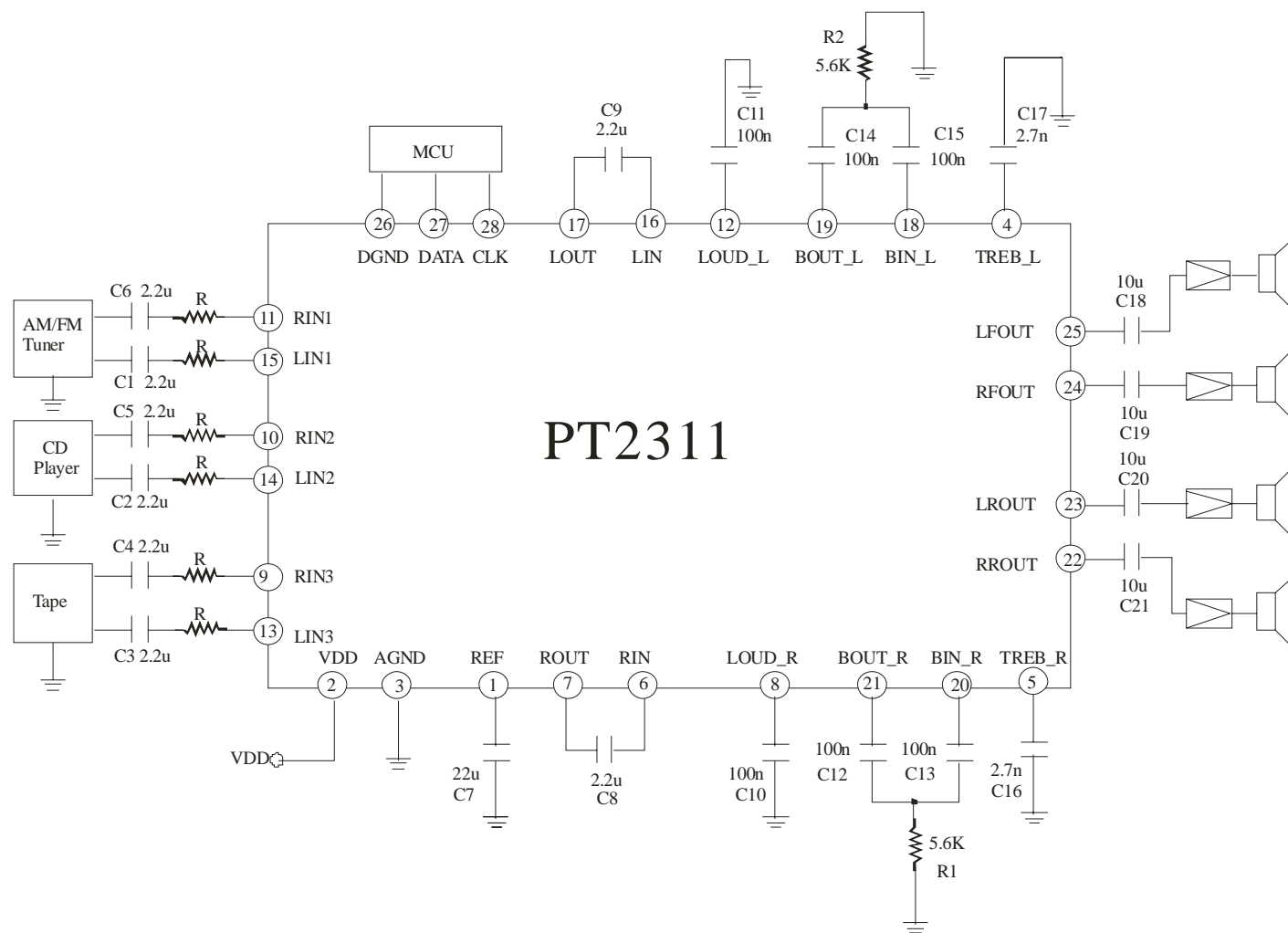
PIN CONFIGURATIONS



4-Channel Audio Processor

PT2311

APPLICATION CIRCUIT



Notes: Resistor (R) Recommended Value = 1 K Ohms

ORDER INFORMATION

Valid Part Number	Package Type	Top Code
PT2311	28 Pins, SO Package (300 mil)	PT2311