



SERVICE MANUAL

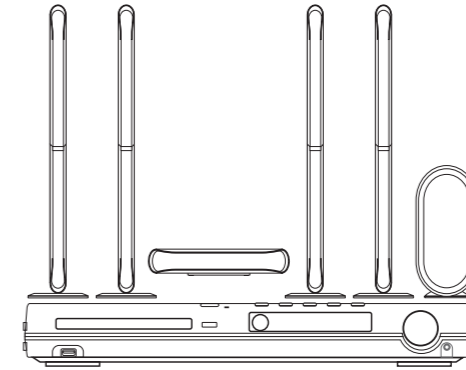
MODEL : LH-T753TB (LH-T753, LHS-75TBC, LHS-75TBS, LHS-75TBW)

LG Electronics Inc.



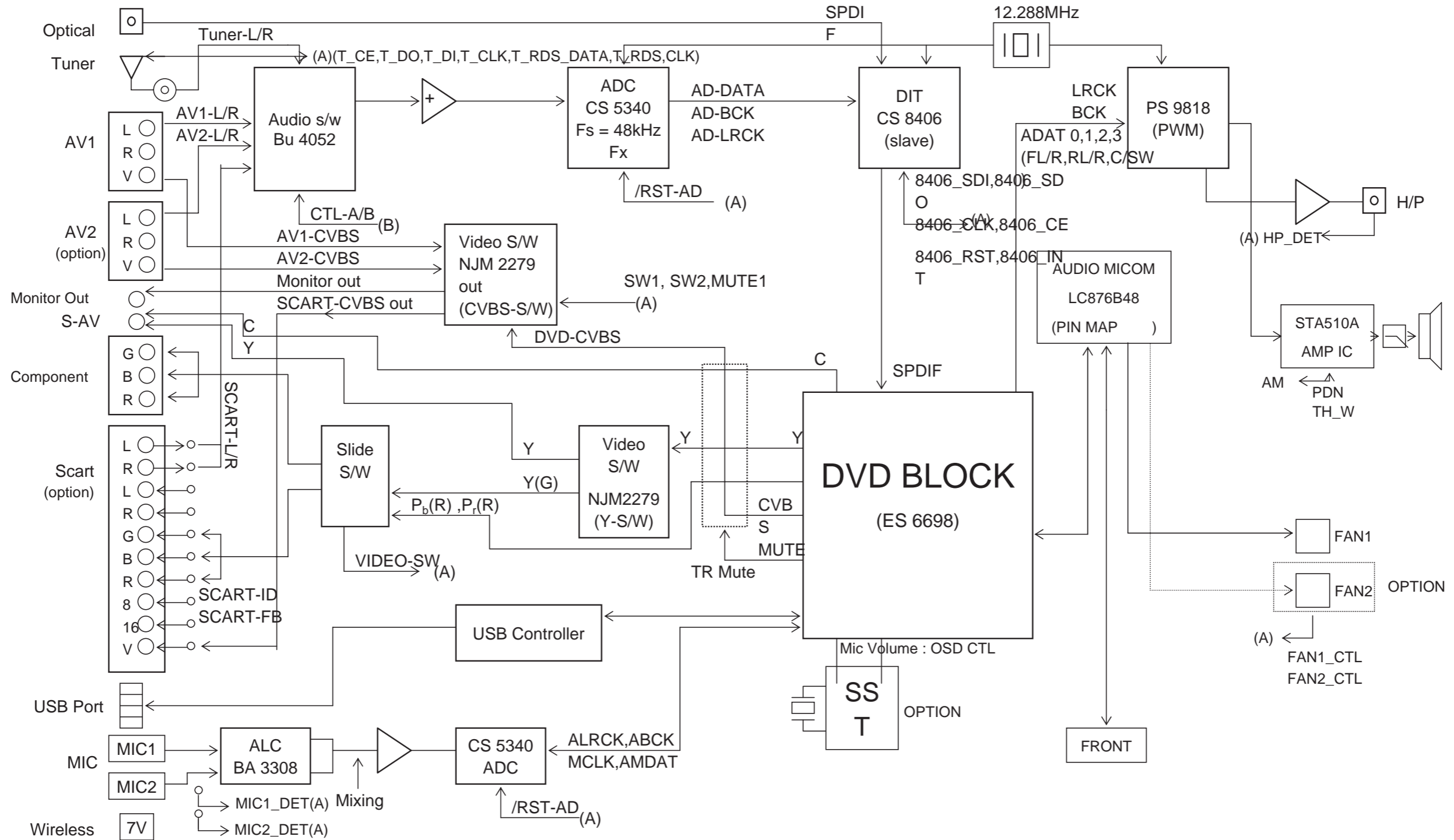
# DVD/CD RECEIVER

## SERVICE MANUAL



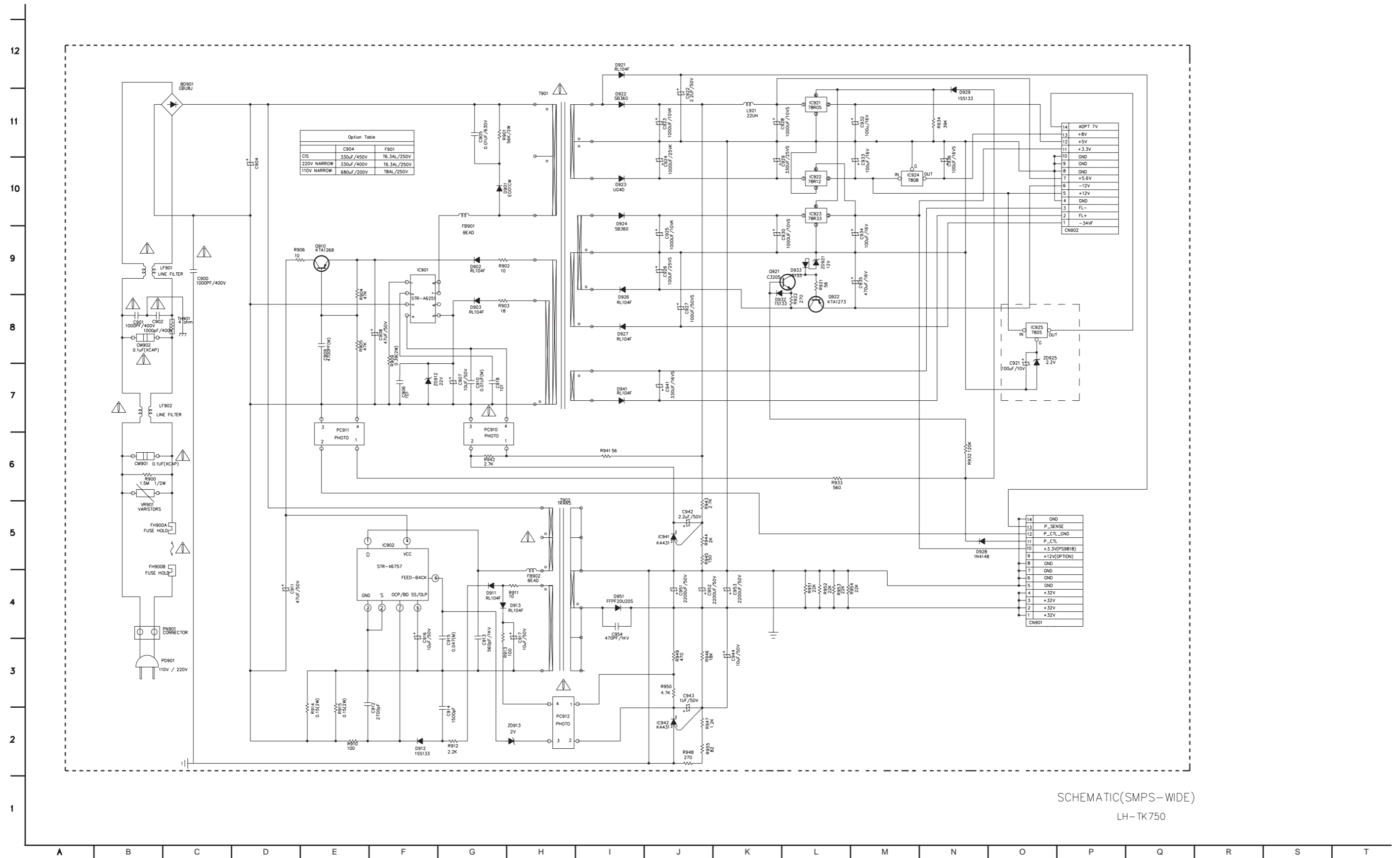
**MODEL : LH-T753TB**  
**(LH-T753, LHS-75TBC,**  
**LHS-75TBS, LHS-75TBW)**

# BLOCK DIAGRAM



# SCHEMATIC DIAGRAMS

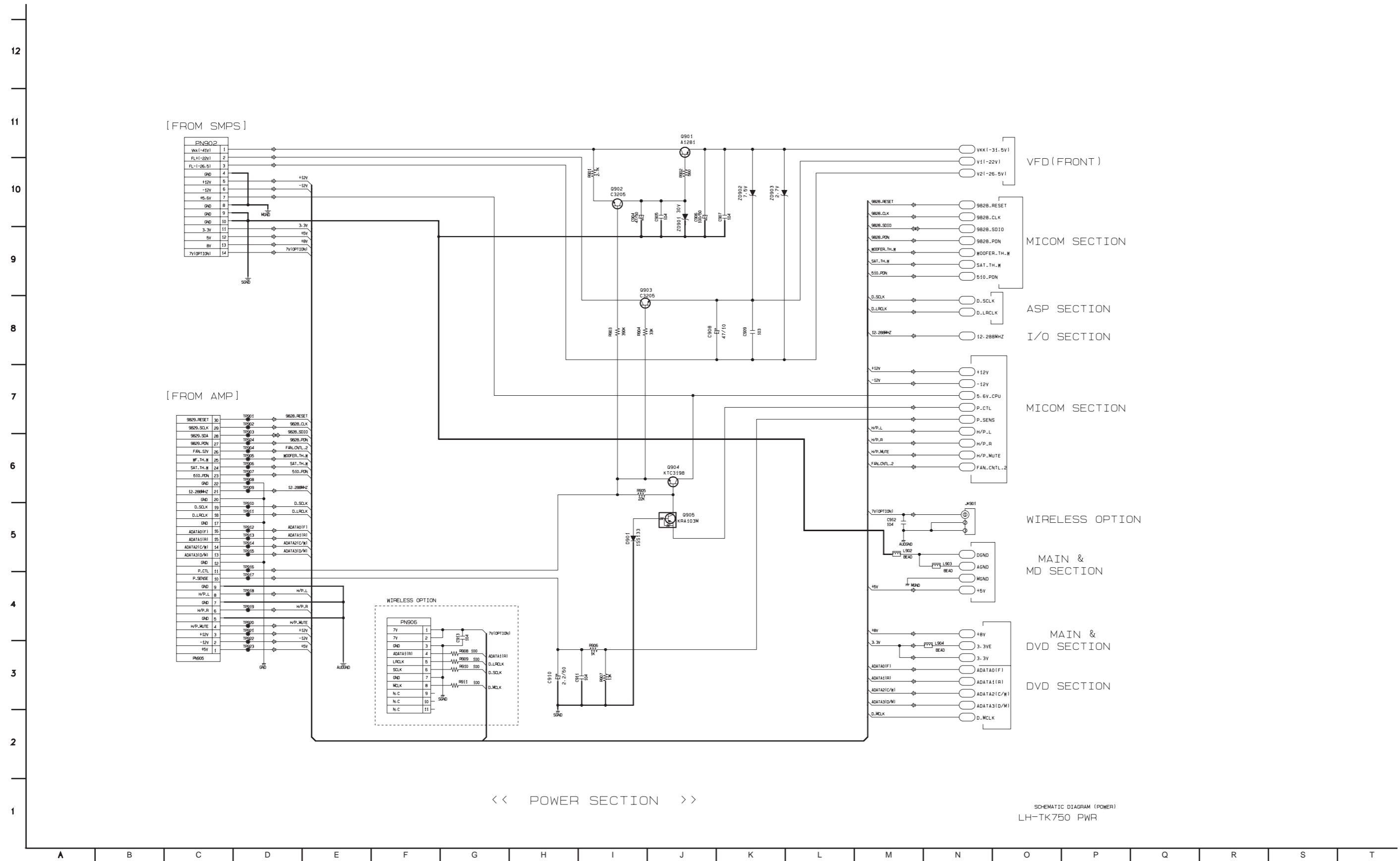
## 1. POWER SCHEMATIC DIAGRAM\_1



SCHEMATIC(SMPS-WIDE)

LH-TK 750

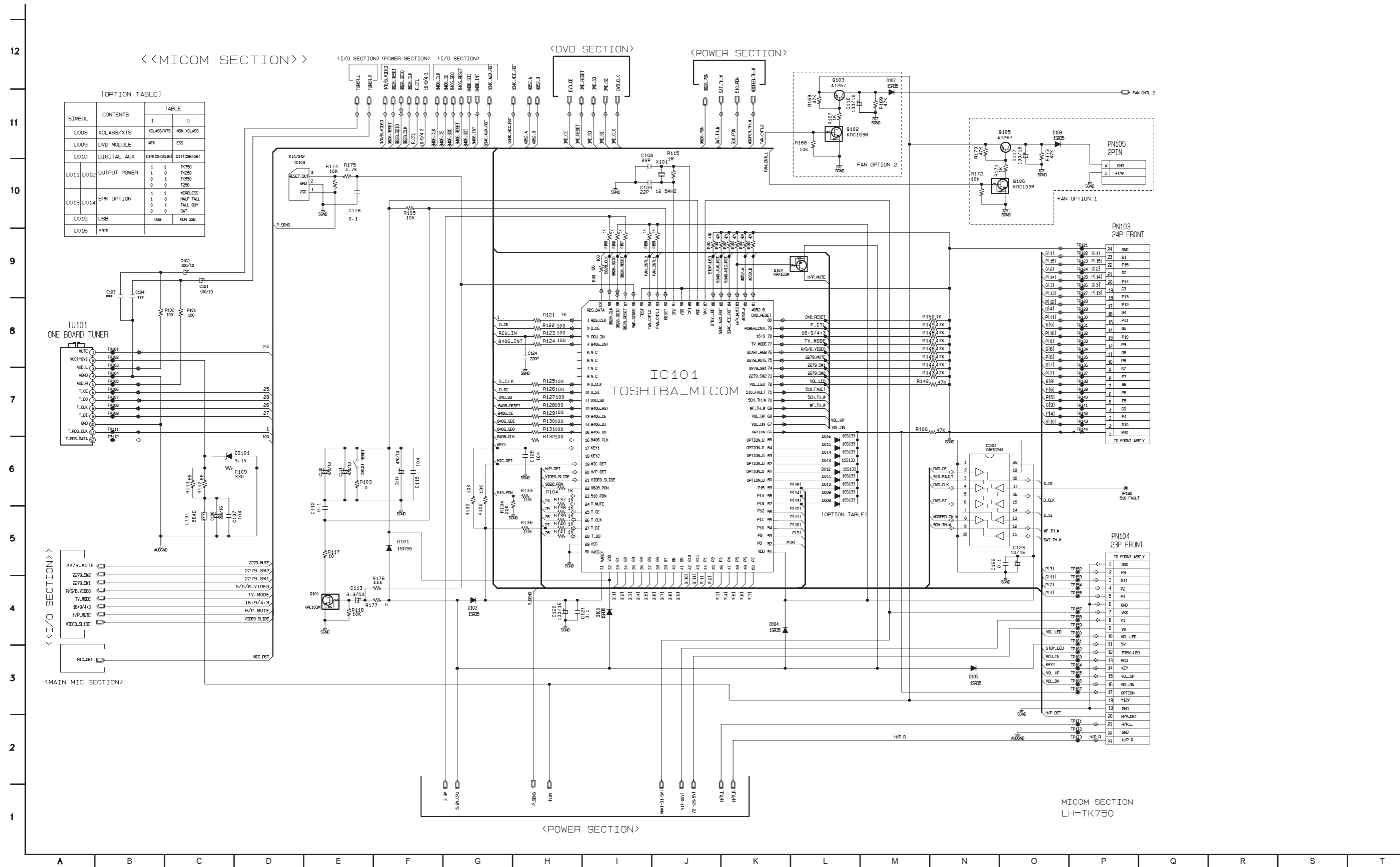
## 2. POWER SCHEMATIC DIAGRAM\_2



<< POWER SECTION >>

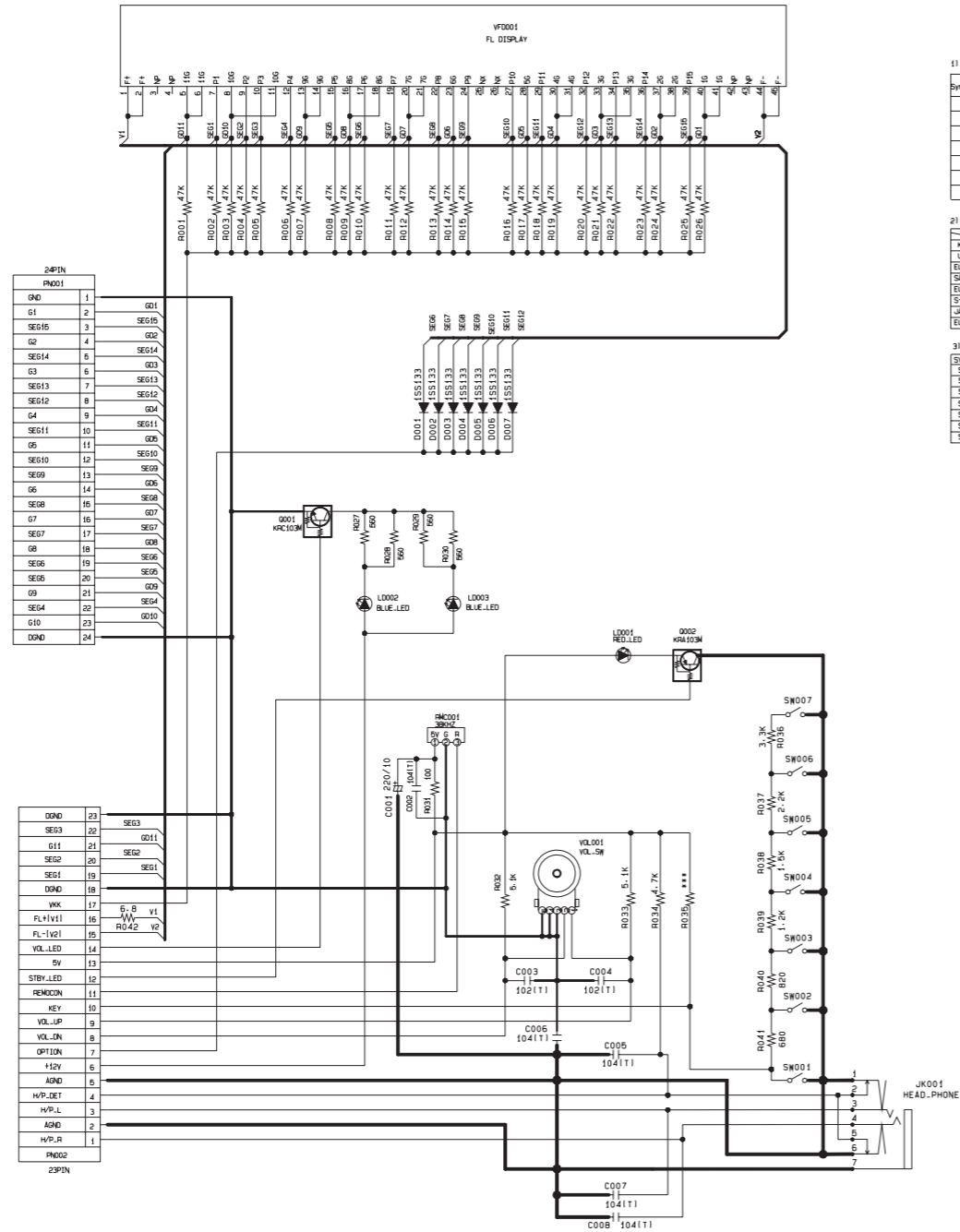
SCHEMATIC DIAGRAM (POWER)  
LH-TK750 PWR

### 3. MICOM SCHEMATIC DIAGRAM



# 4. FRONT SCHEMATIC DIAGRAM

12  
11  
10  
9  
8  
7  
6  
5  
4  
3  
2  
1



1) DIODE OPTION

SYMBOL NO.	CONTENTS	TABLE
D001	AREA-1	1 0
D002	AREA-2	
D003	AREA-3	REMARK
D004	FM STND	10K 50K
D005	AM STND	10K 5K
D006	RES	NON RES RES
D007	SCART	NON SCART

2) AREA OPTION

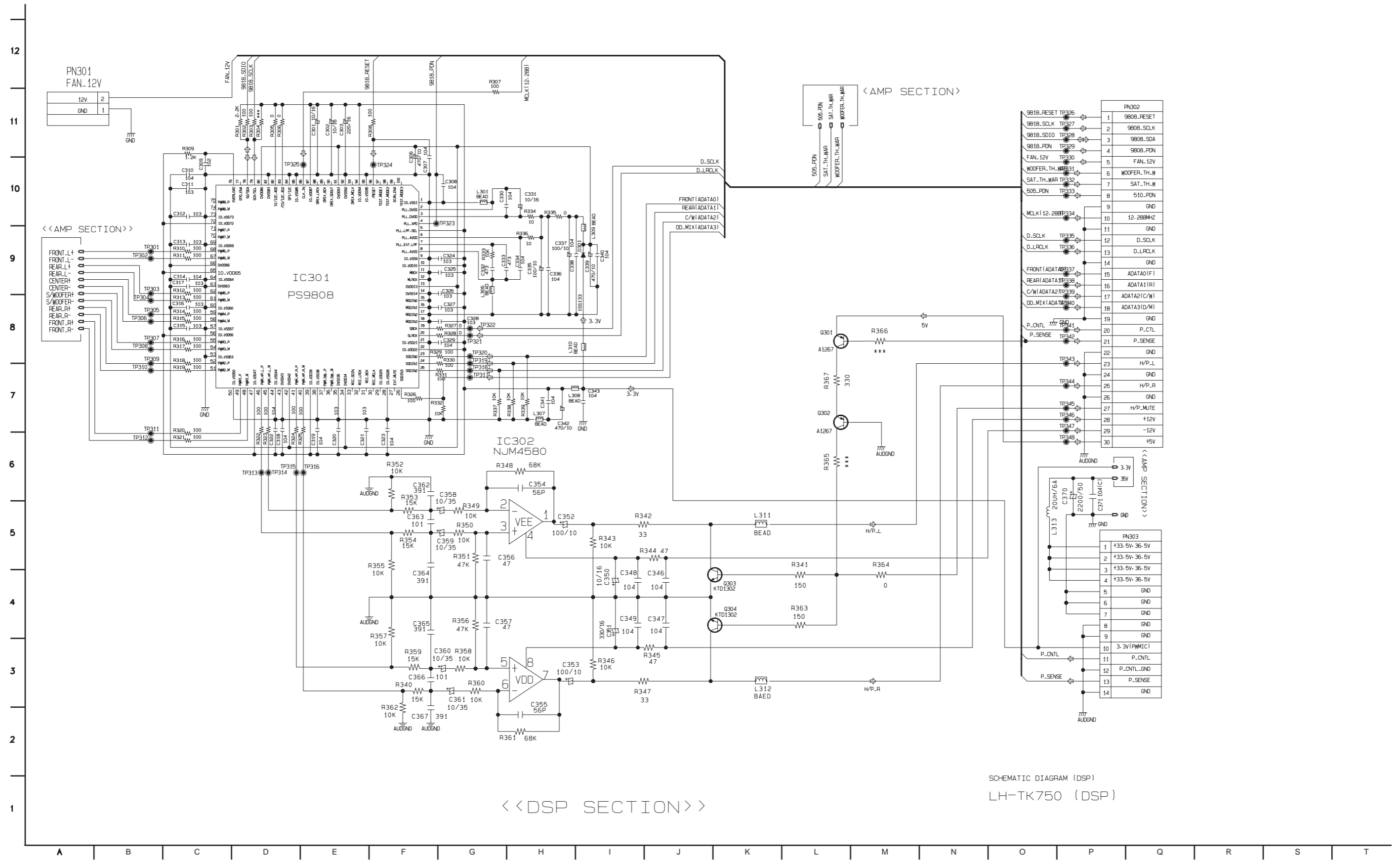
AREA	D001	D002	D003
KOR	0	0	0
USA	1	0	0
EUROPE1	0	1	0
SAC	1	1	0
EUROPE2	0	0	1
AFRICA	1	0	1
JAPAN	0	1	1
EUROPE3	1	1	1

3) KEY

SYMBOL NO.	LH-T750
SW001	SKIP/SEARCH/PRESET1
SW002	SKIP/SEARCH/PRESET1
SW003	STOP
SW004	PAUSE/MONO/STEREO
SW005	PLAY
SW006	OPEN/CLOSE
SW007	STAN-BY

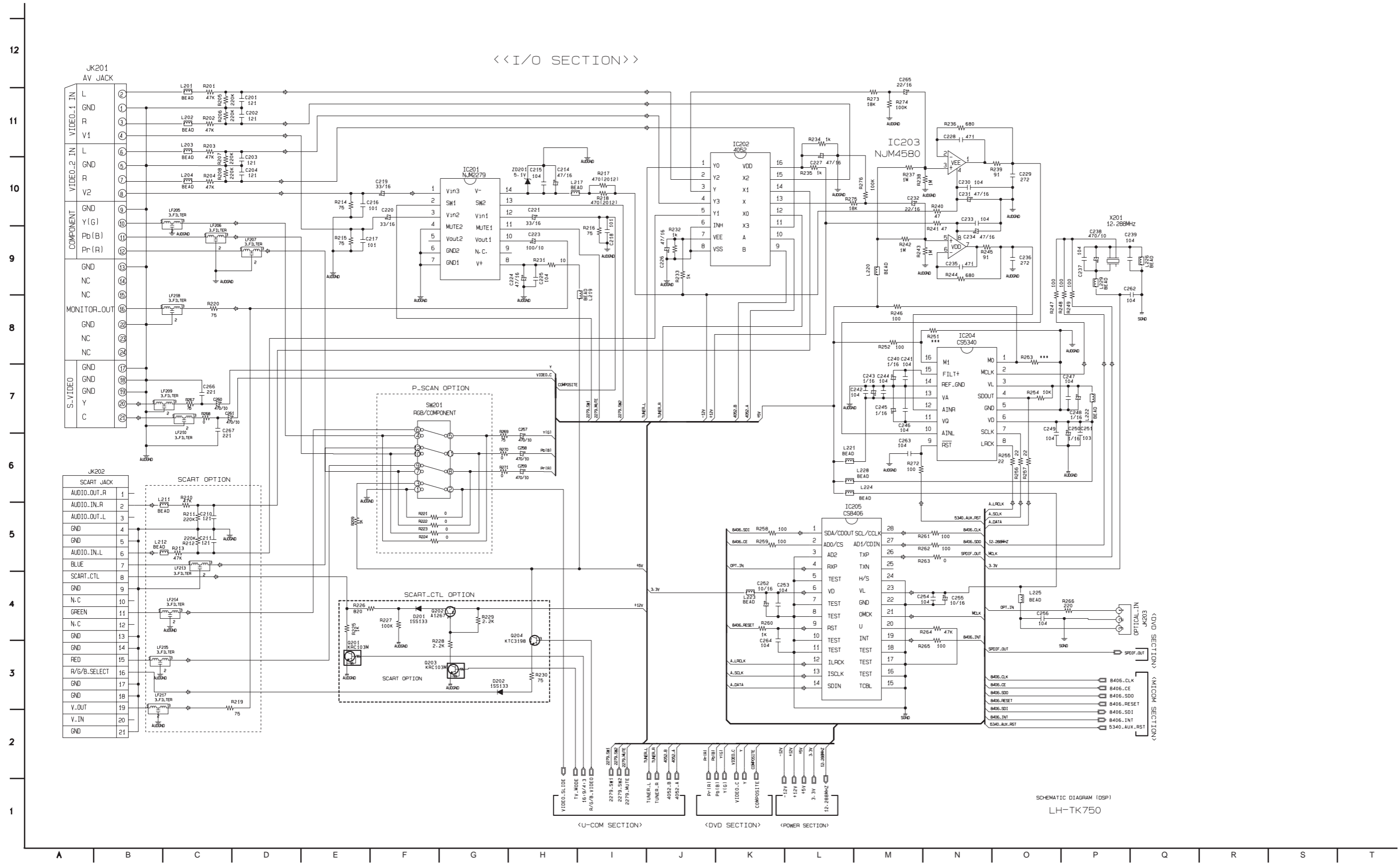
SCHEMATIC DIAGRAM(FRONT)  
LH-TK750 (FRONT #013)

# 5. DSP&AMP SCHEMATIC DIAGRAM



SCHEMATIC DIAGRAM (DSP)  
LH-TK750 (DSP)

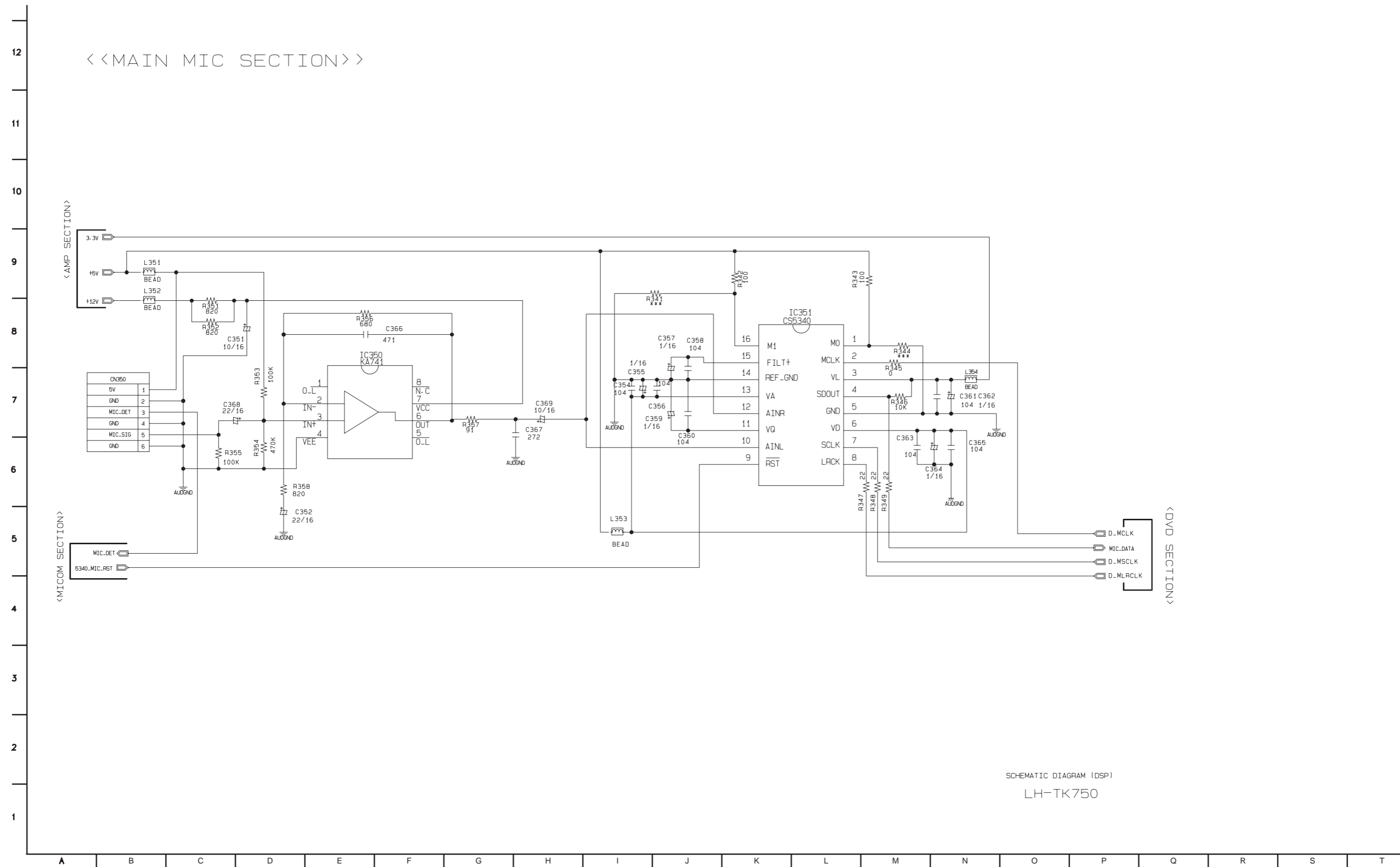
# 6. I/O SCHEMATIC DIAGRAM



SCHEMATIC DIAGRAM (DSP)  
LH-TK750



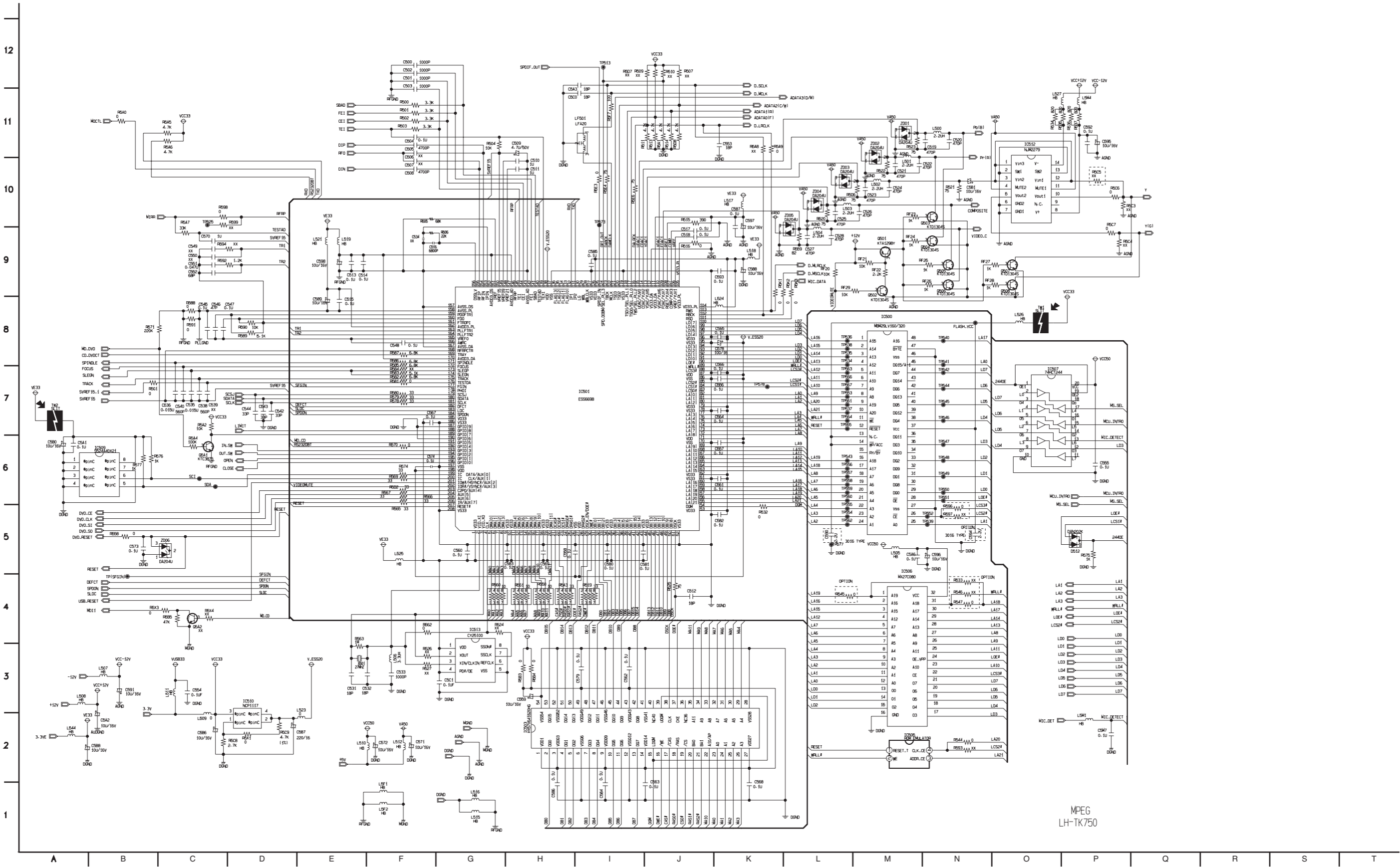
# 7. MAIN MIC SCHEMATIC DIAGRAM



SCHEMATIC DIAGRAM (DSP)  
LH-TK750

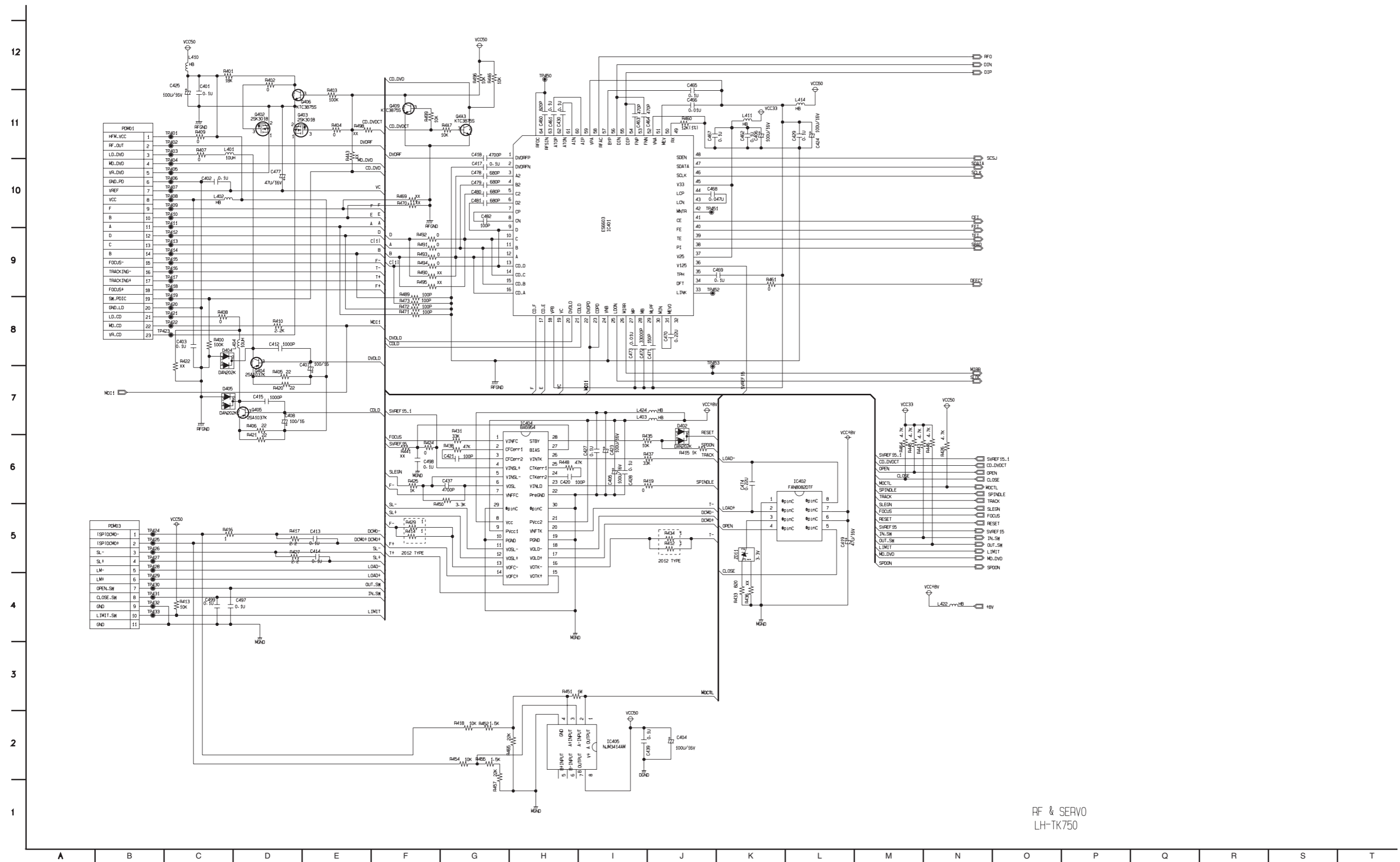
# DVD PART SCHEMATIC DIAGRAMS

## 1. DVD MPEG & DSP SCHEMATIC DIAGRAM



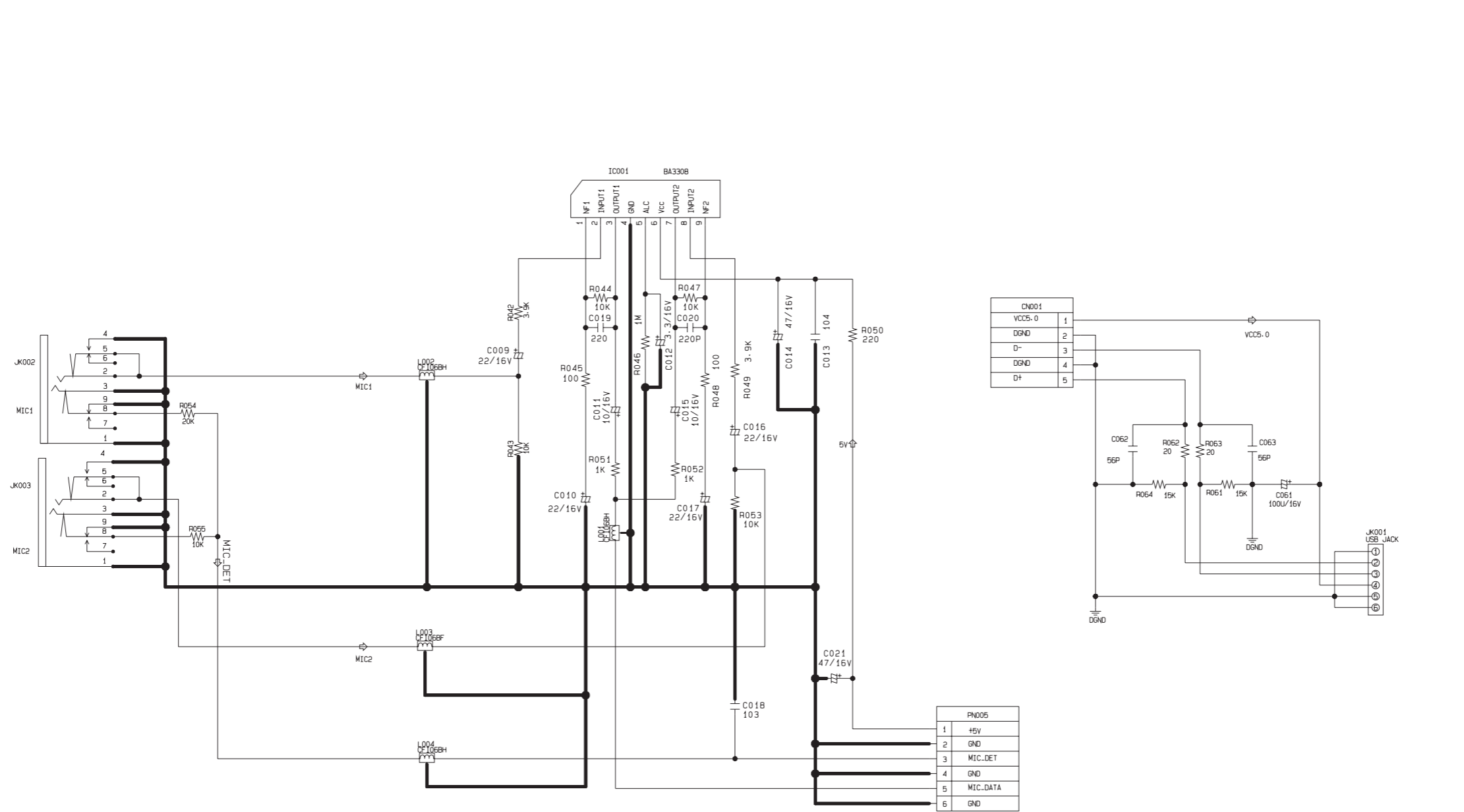
MPEG  
LH-TK750

## 2. RF & SERVO SCHEMATIC DIAGRAM



RF & SERVO  
LH-TK750

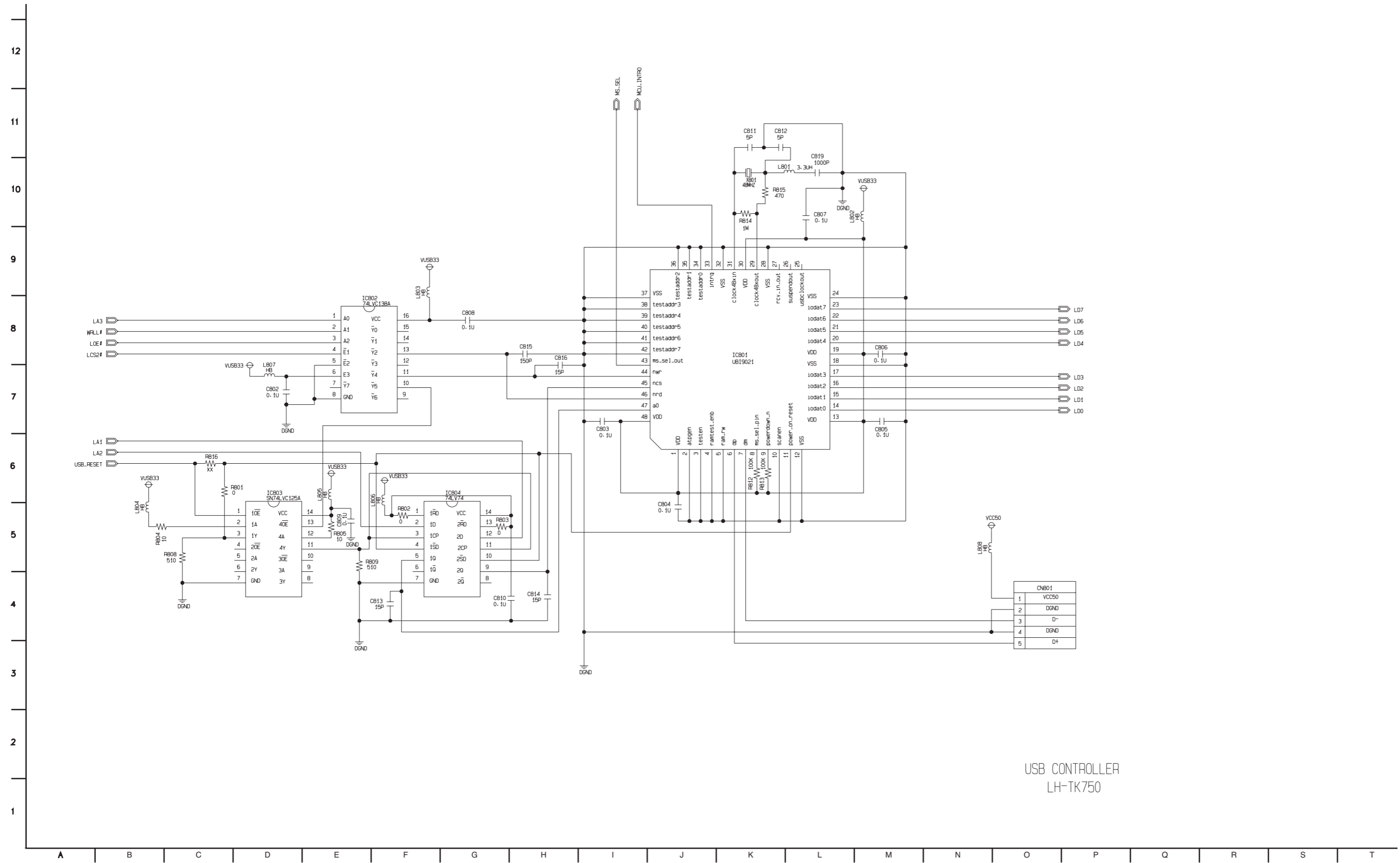
### 3. FRONT MIC SCHEMATIC DIAGRAM



<< FRONT MIC SECTION >>

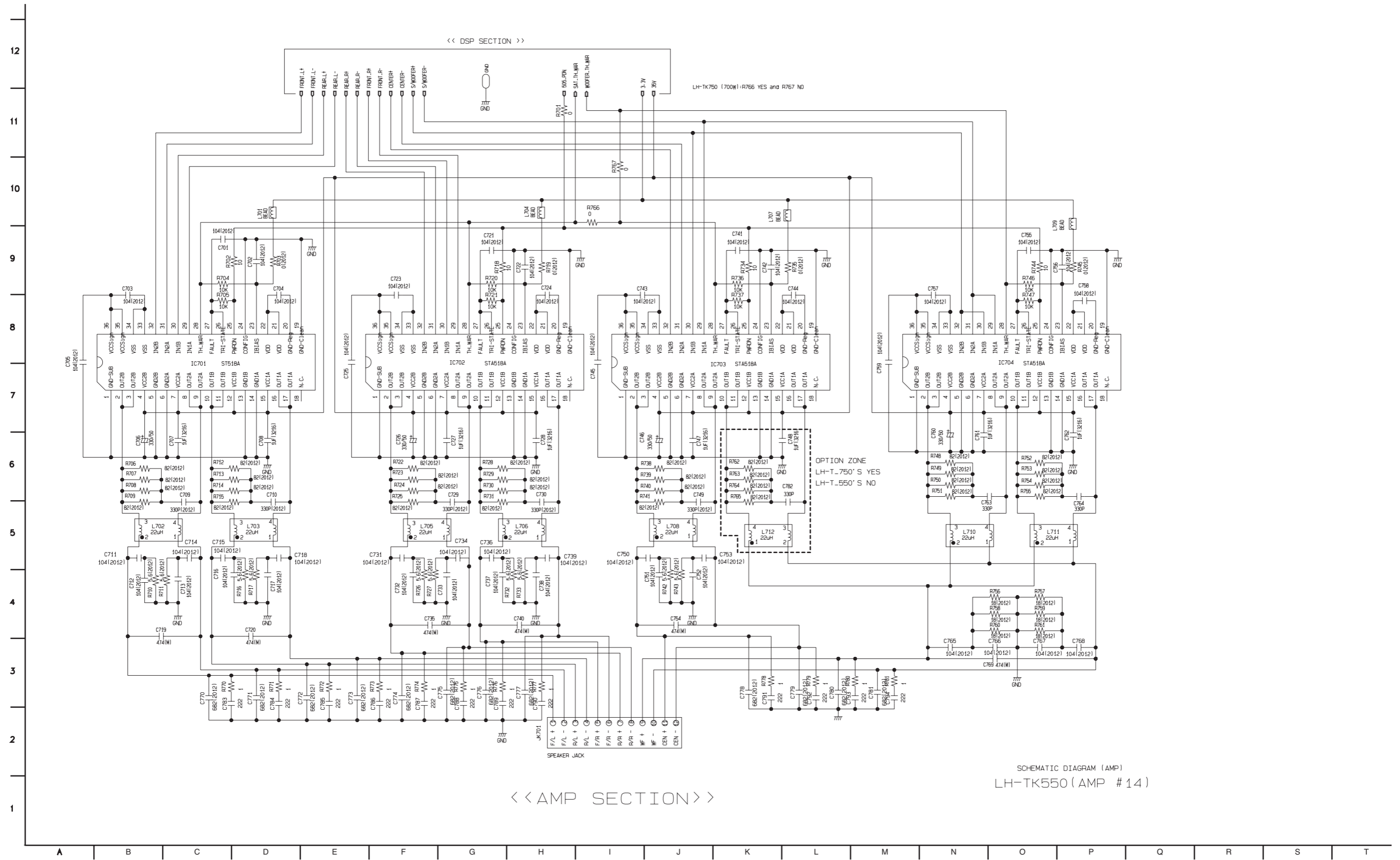
SCHEMATIC DIAGRAM(MIC)  
LH-TK750 (MIC #012)

# 4. USB CONTROLLER SCHEMATIC DIAGRAM



USB CONTROLLER  
LH-TK750

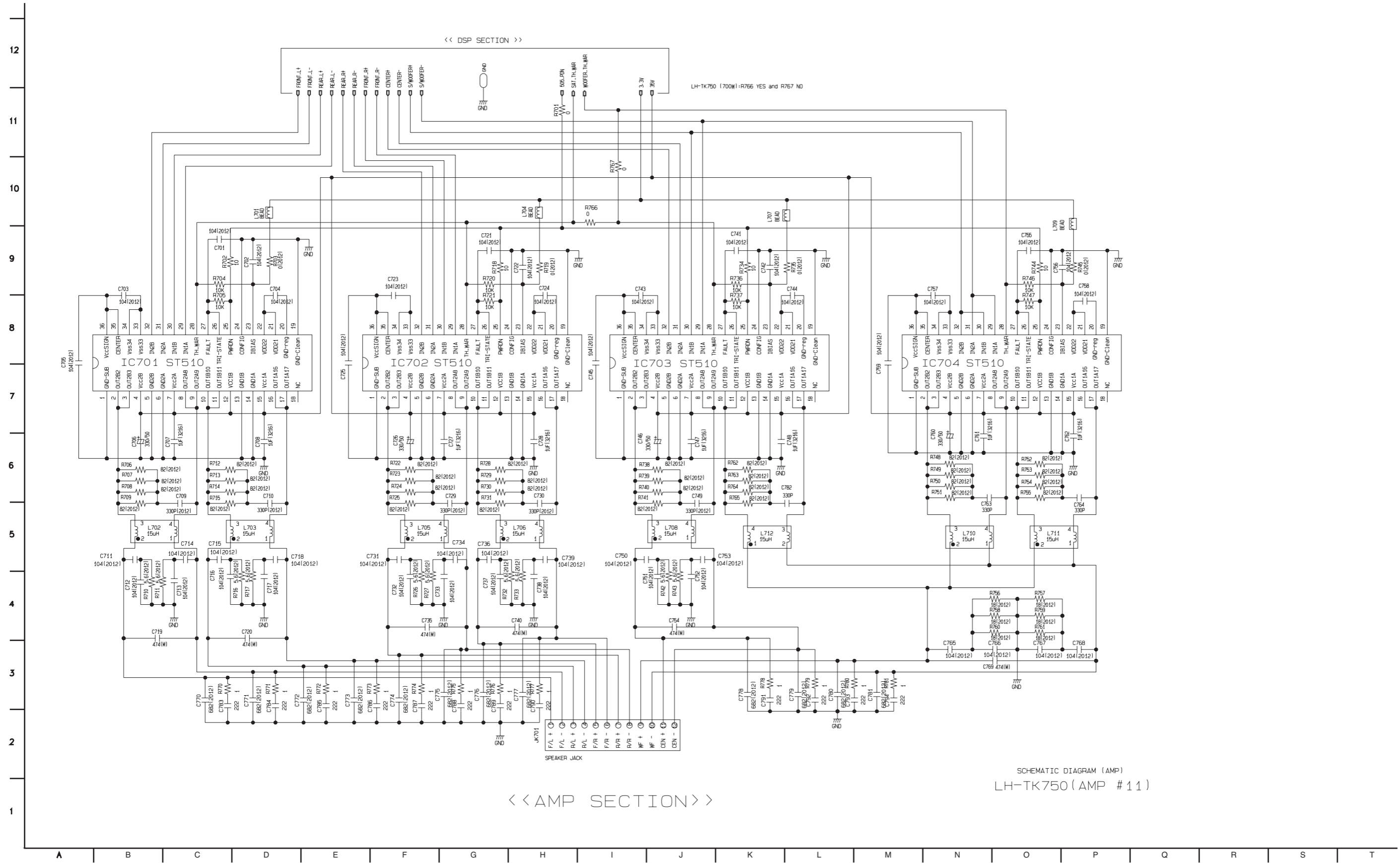
# 5. AMP SCHEMATIC DIAGRAM ( 5TOOL )



<< AMP SECTION >>

SCHEMATIC DIAGRAM (AMP)  
LH-TK550 (AMP # 14)

# 6. AMP SCHEMATIC DIAGRAM ( 7TOOL )



SCHEMATIC DIAGRAM (AMP)  
LH-TK750 (AMP # 11)