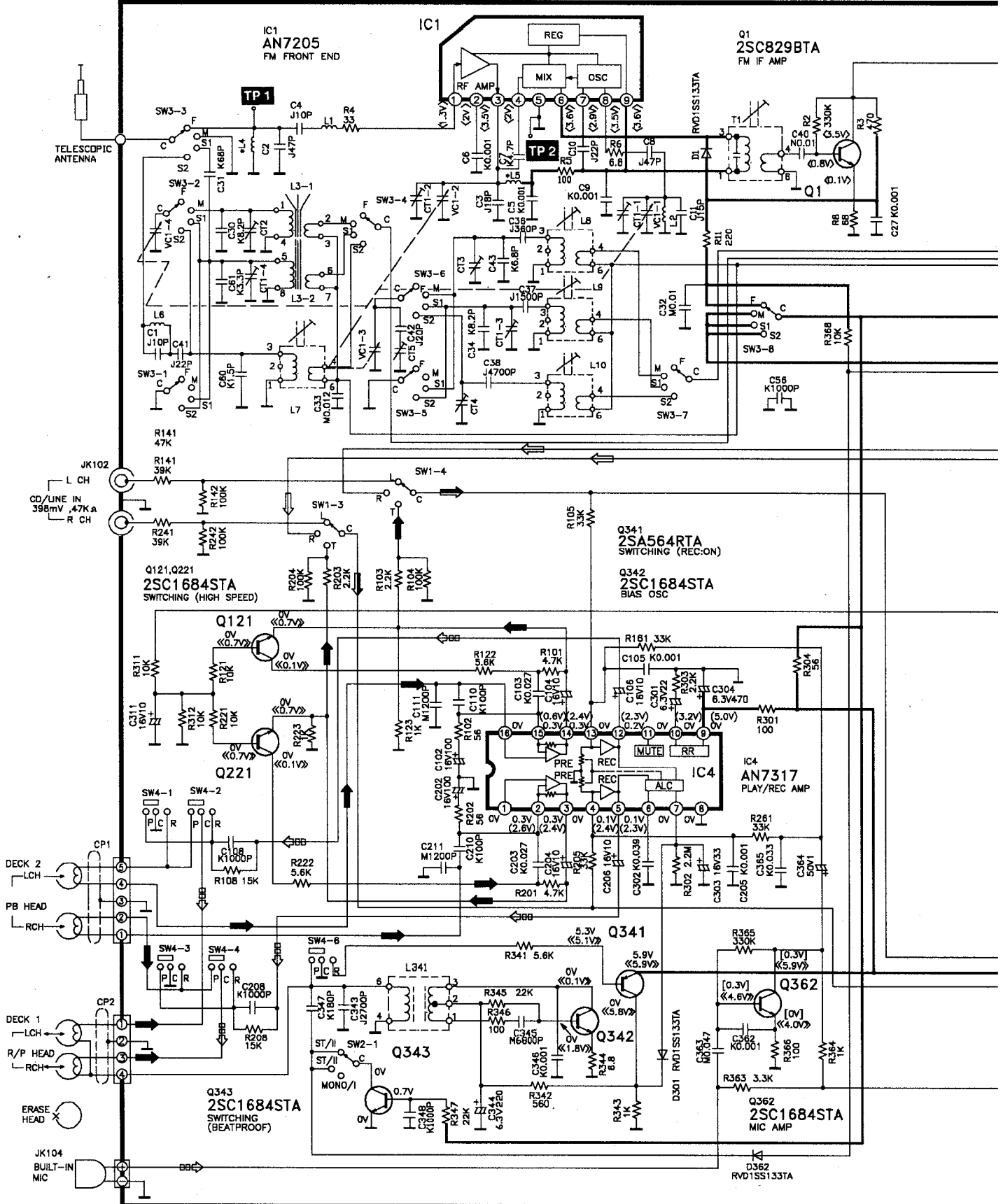
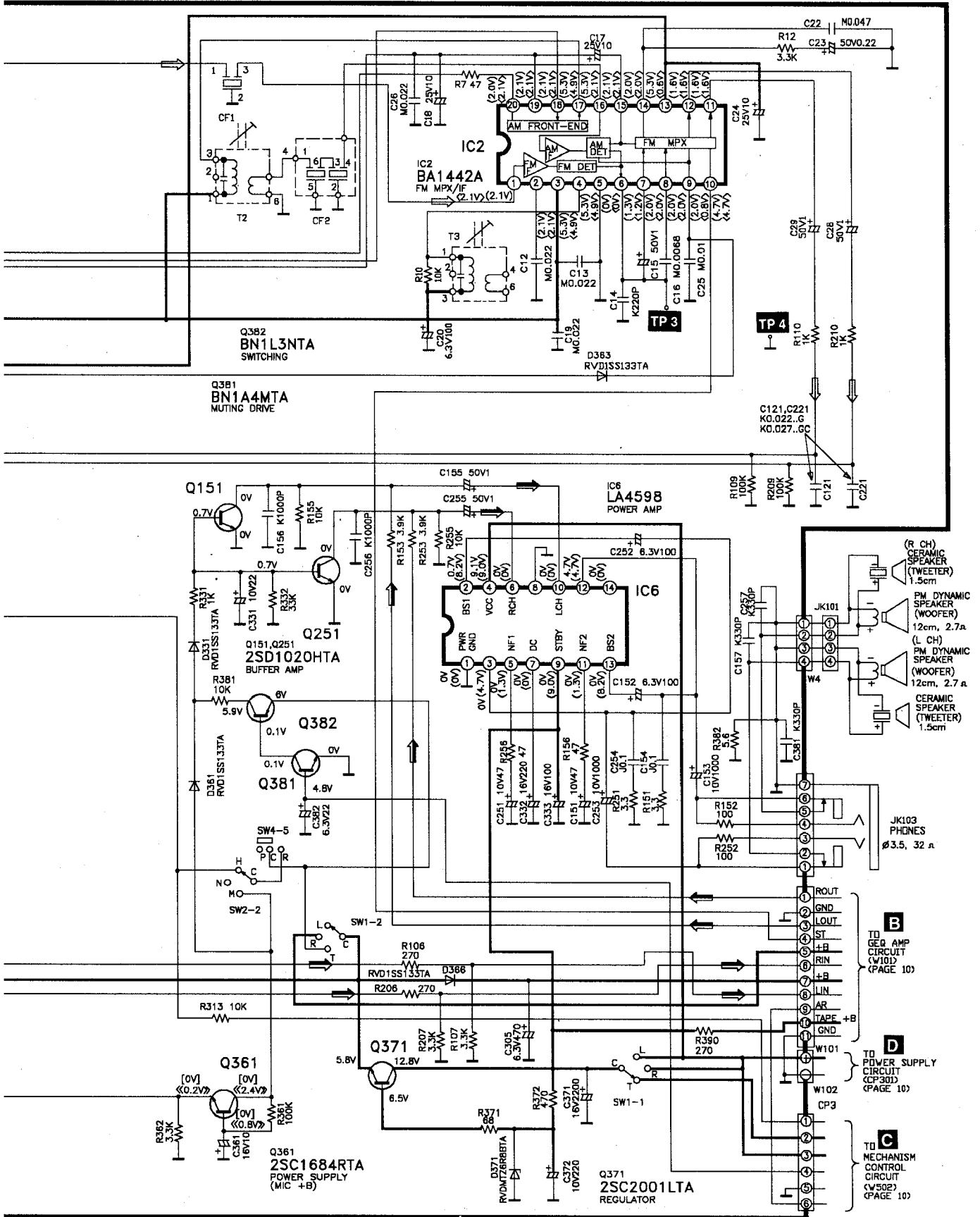


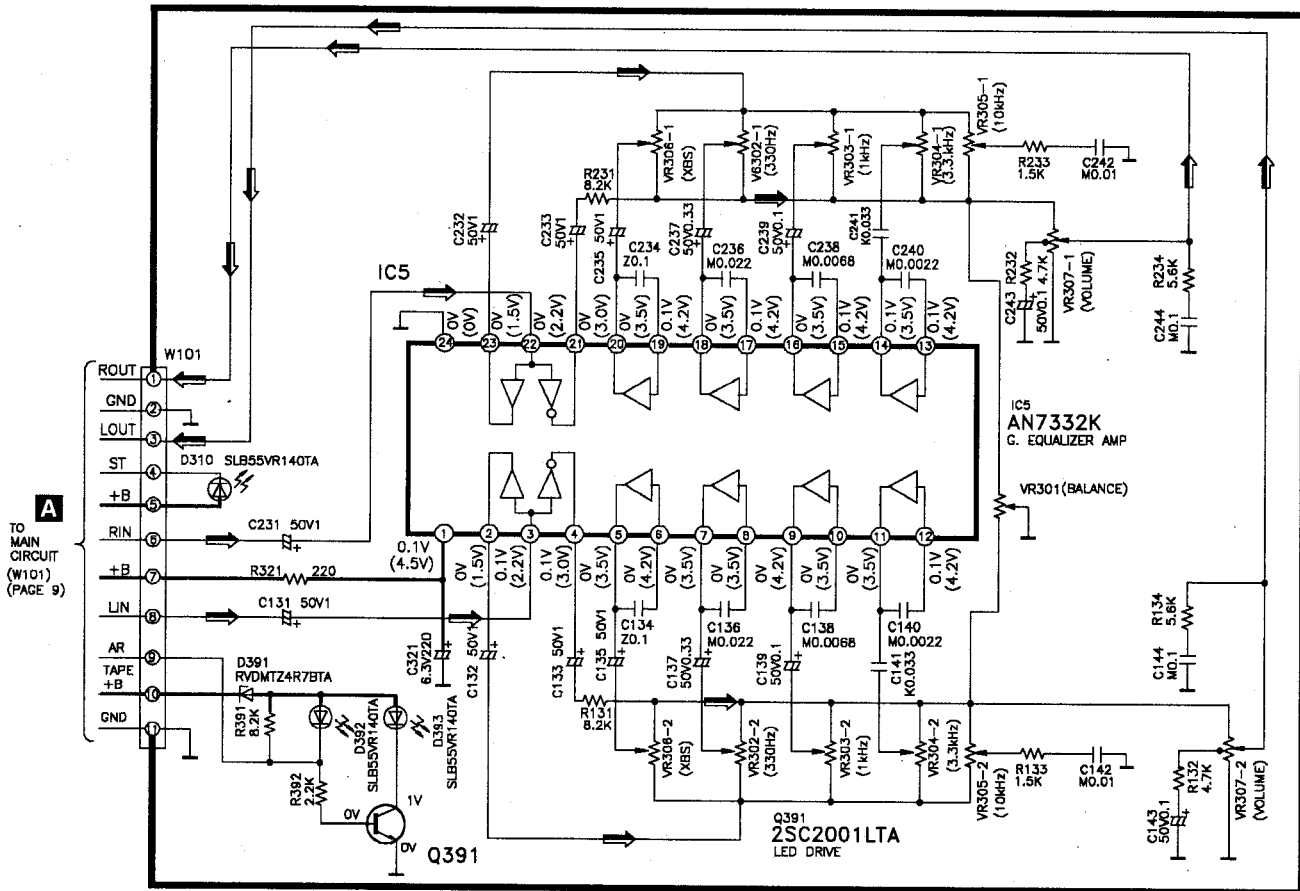
Schematic Diagram

A MAIN CIRCUIT

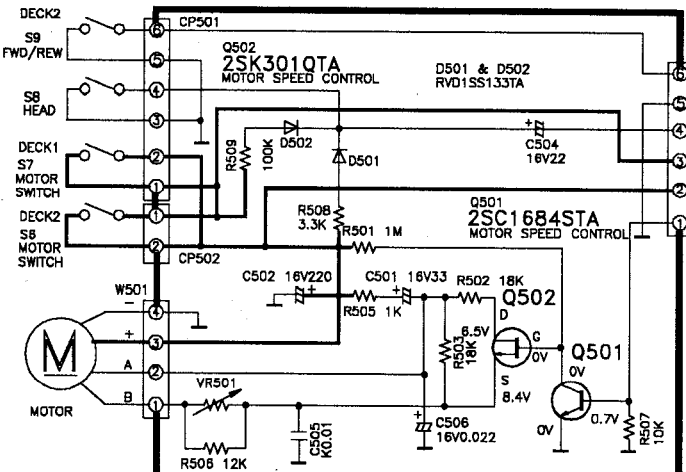




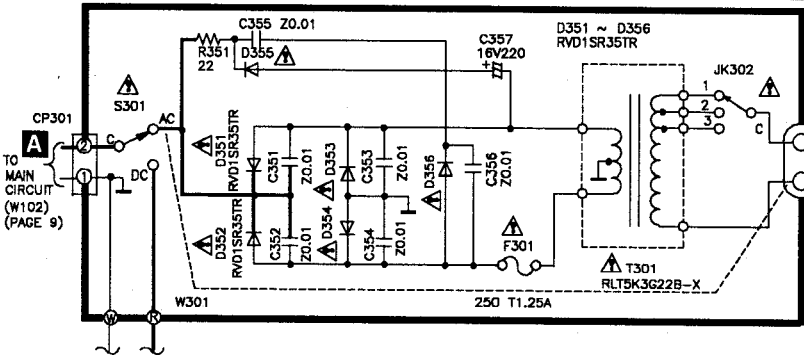
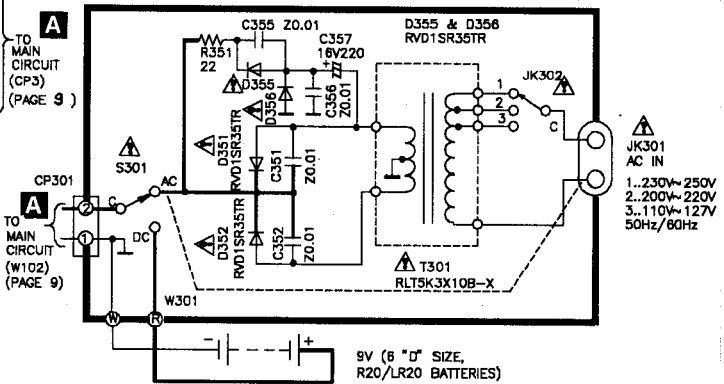
B GRAPHIC EQUALIZER CIRCUIT



C MECHANISM CONTROL CIRCUIT



D POWER SUPPLY CIRCUIT FOR (G) AREA



JK301 AC IN
 1...230V~250V
 2...200V~220V
 3...110V~127V
 50Hz/60Hz

D POWER SUPPLY CIRCUIT FOR (GC) AREA