

SERVICE MANUAL SAMPLE

SVEN[®]

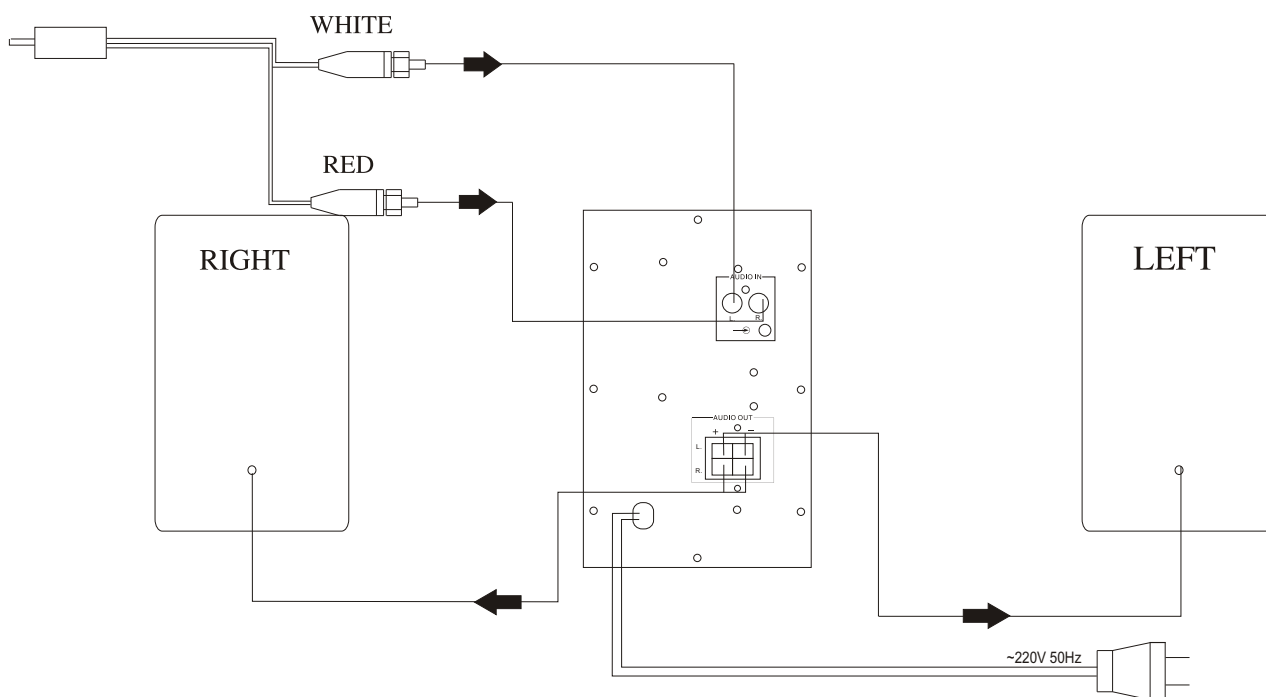
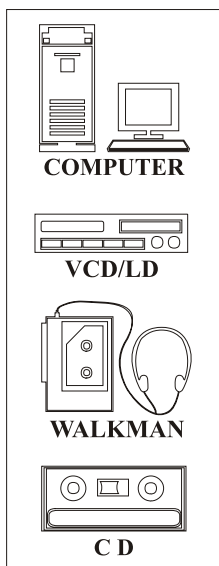
SPS-820

2. SPECIFICATIONS

TECHNICAL SPECIFICATION:

OUTPUT POWER SUB-WOOFER.....	35 (RMS) (THD≤0.7%)
FRONT.....	15W+15W (RMS) (THD≤0.7%)
CENTER.....	15W (RMS) (THD≤0.7%)
SURROUND.....	15W+15W (RMS) (THD≤0.7%)
SUB WOOFER IMPEDANCE.....	8 (OHM)
FRONT/CENTER/SURROUND.....	4 (OHM)
FREQUENCY RESPONSE.....	50Hz-20KHz
SEPARATION.....	≥40dB
S/N RATIO.....	≥80dB
DIMENSION	
SUB WOOFER.....	W170*D355*H260mm
FRONT/CENTER/SURROUND.....	W97*D135*H155mm

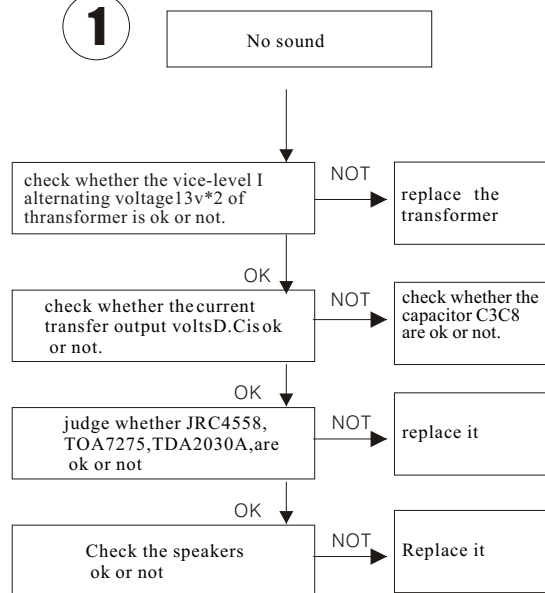
4. CONNECTING TO EQUIPMENT



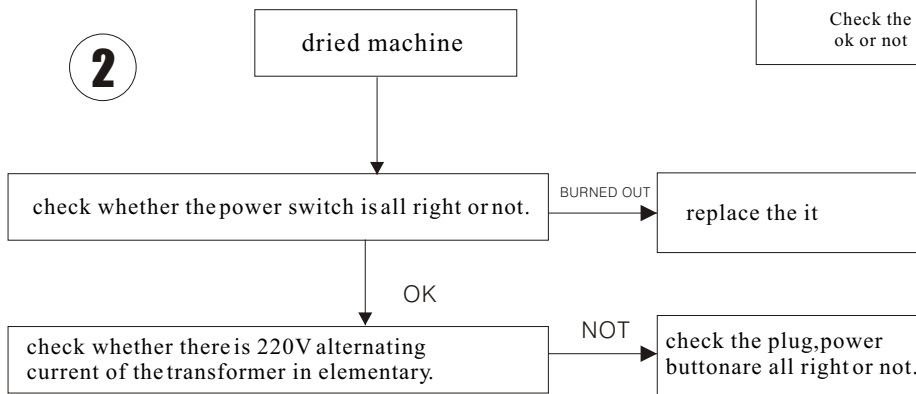
5. TROUBLESHOOTING GUIDE

TROUBLE SHOOTING AND RESOLUTION

1



2



3

Error	Possible reason	Obivating
No sound	The power plug is not exactly inserted. The connection of output and input is not well The input format is not right The volume control be settled in the minimum Rest estate	Insert the plug in right place Connect the output and input cables Adjust the volume

