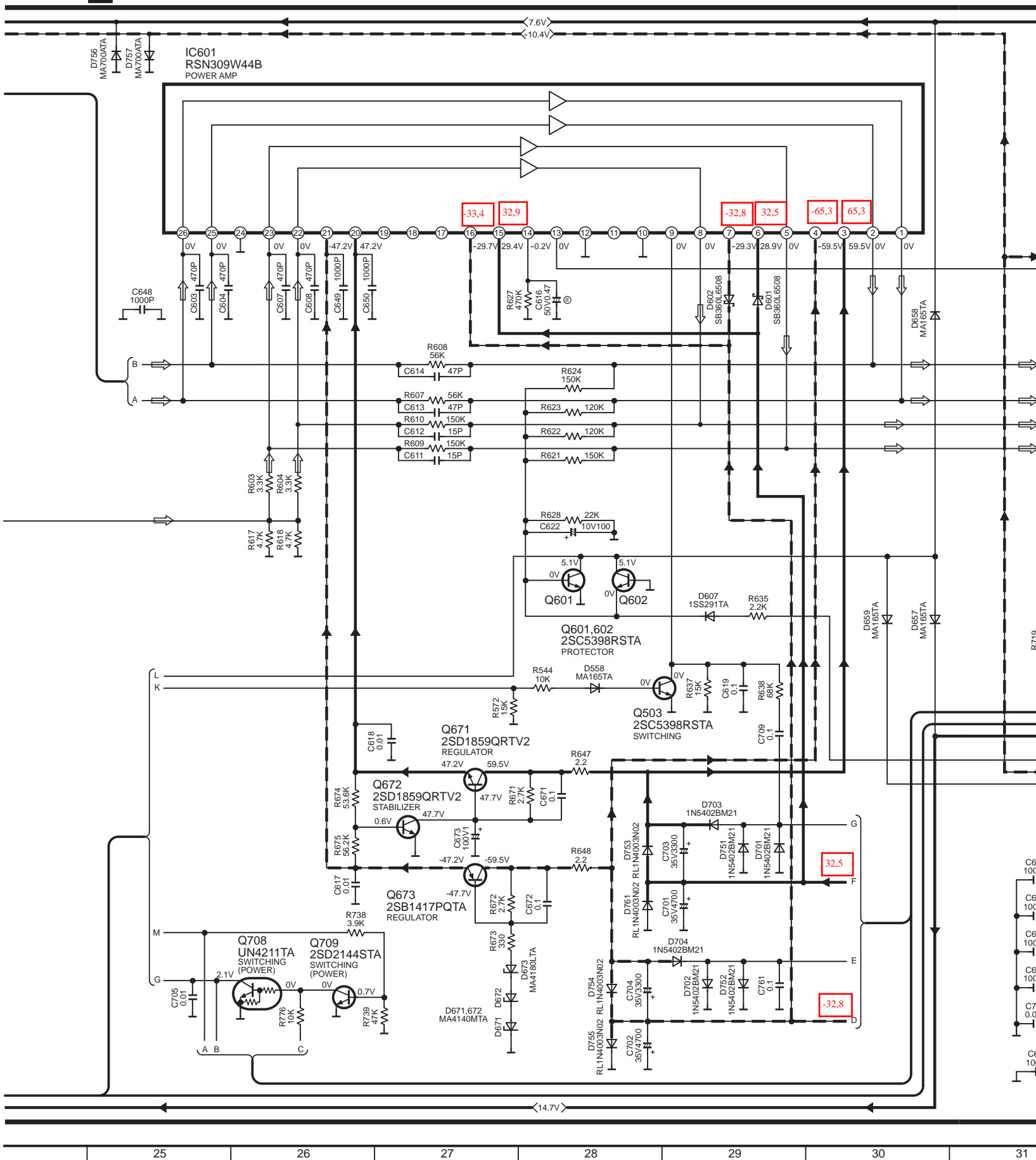
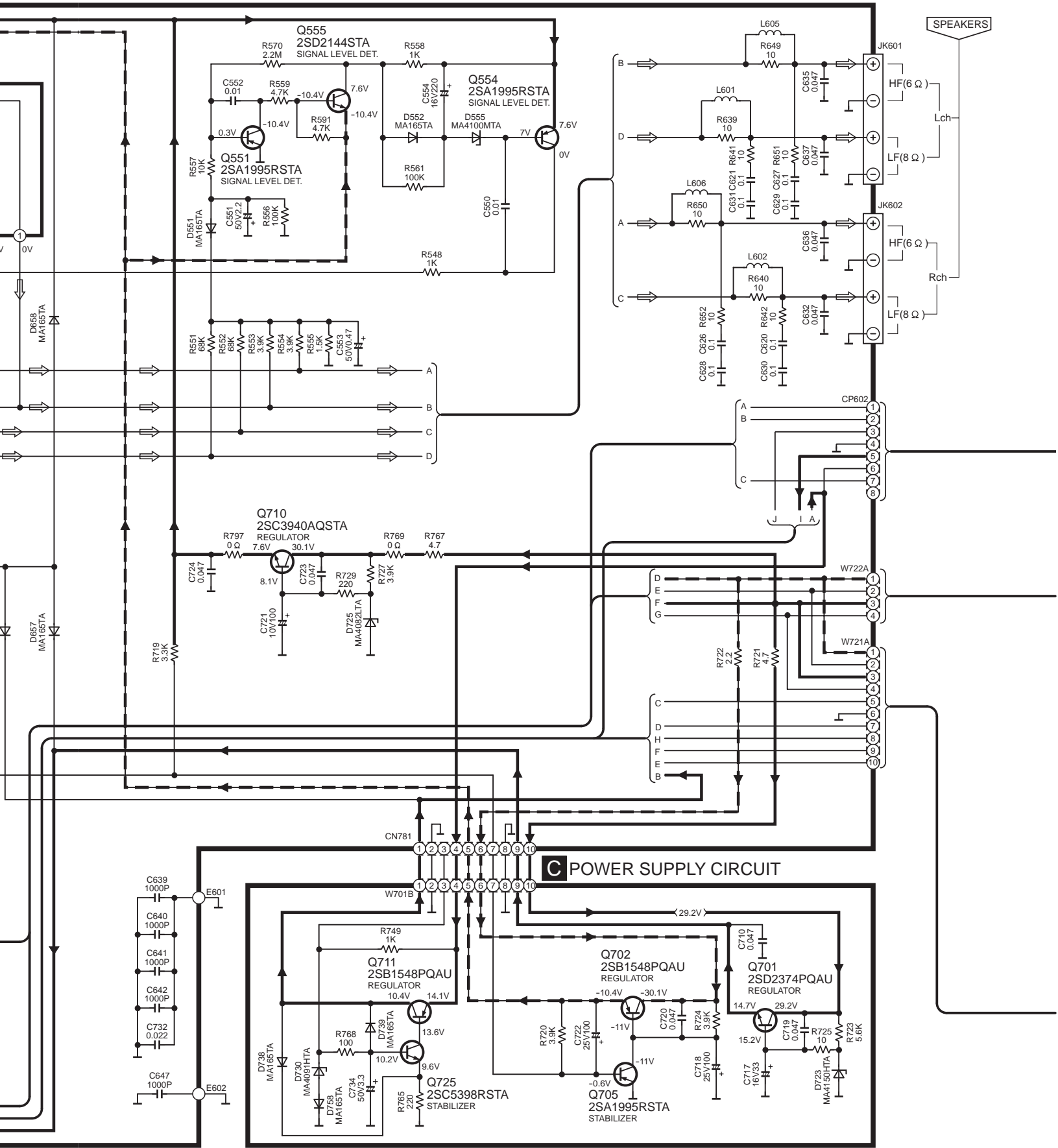


SCHEMATIC DIAGRAM-3

B MAIN CIRCUIT

→ : POSITIVE VOLTAGE LINE - - - - - : NEGATIVE VOLTAGE LINE ⇨ : AUDIO SIGNAL LINE



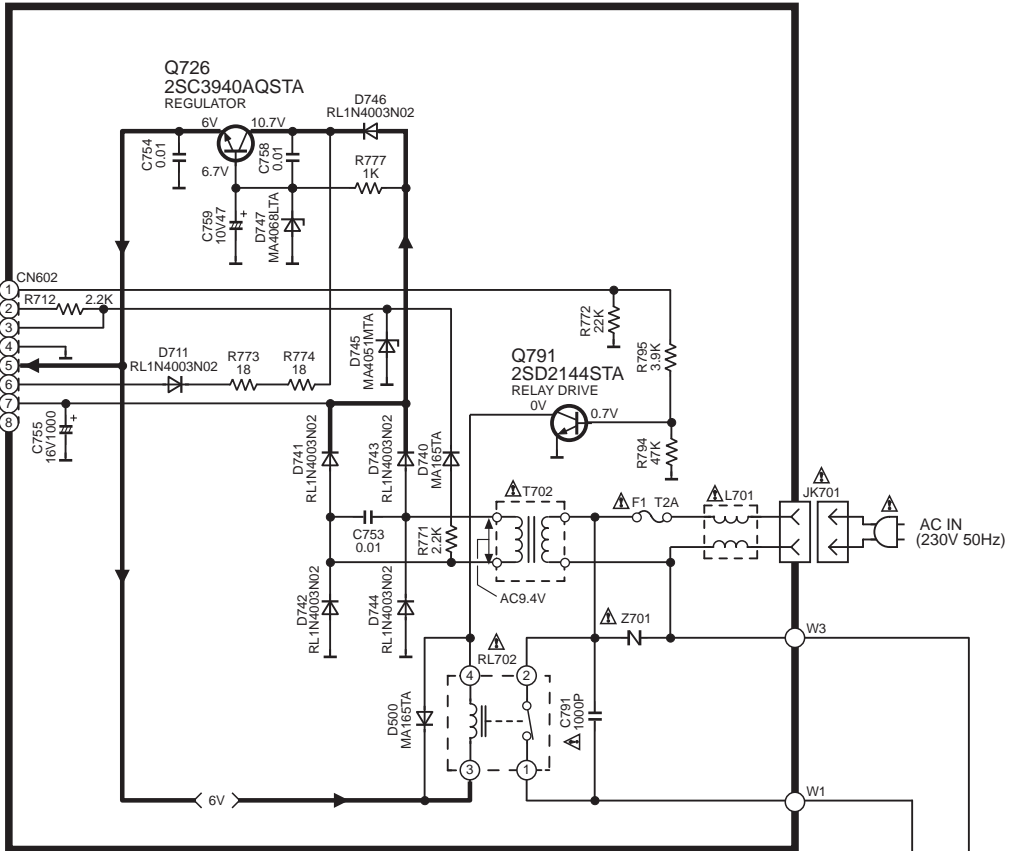


SA-EH590(EG,EP) MAIN, POWER SUPPLY CIRCUIT DIAGRAM

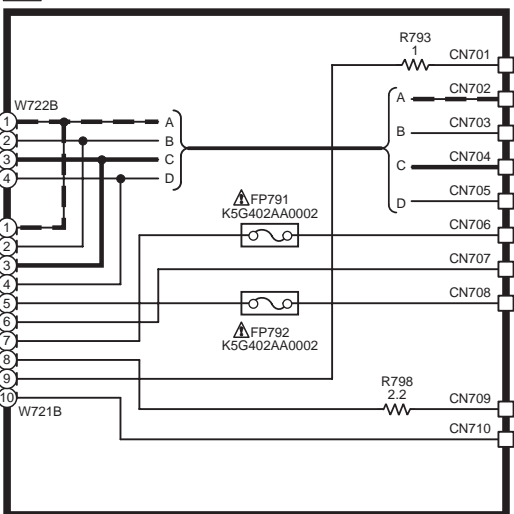
SCHEMATIC DIAGRAM-4

—▶ : POSITIVE VOLTAGE LINE -▶ : NEGATIVE VOLTAGE LINE

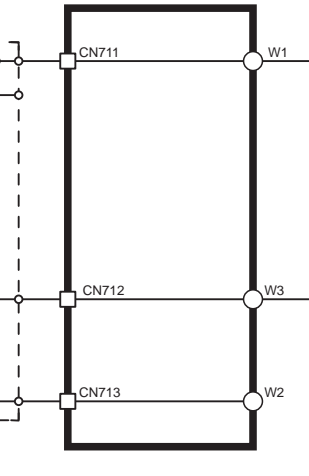
D AC IN CIRCUIT



E POWER TRANSFORMER(A) CIRCUIT



F POWER TRANSFORMER(B) CIRCUIT



SA-EH590(EG,EP) AC IN, POWER TRANSFORMER(A),(B) CIRCUIT DIAGRAM