



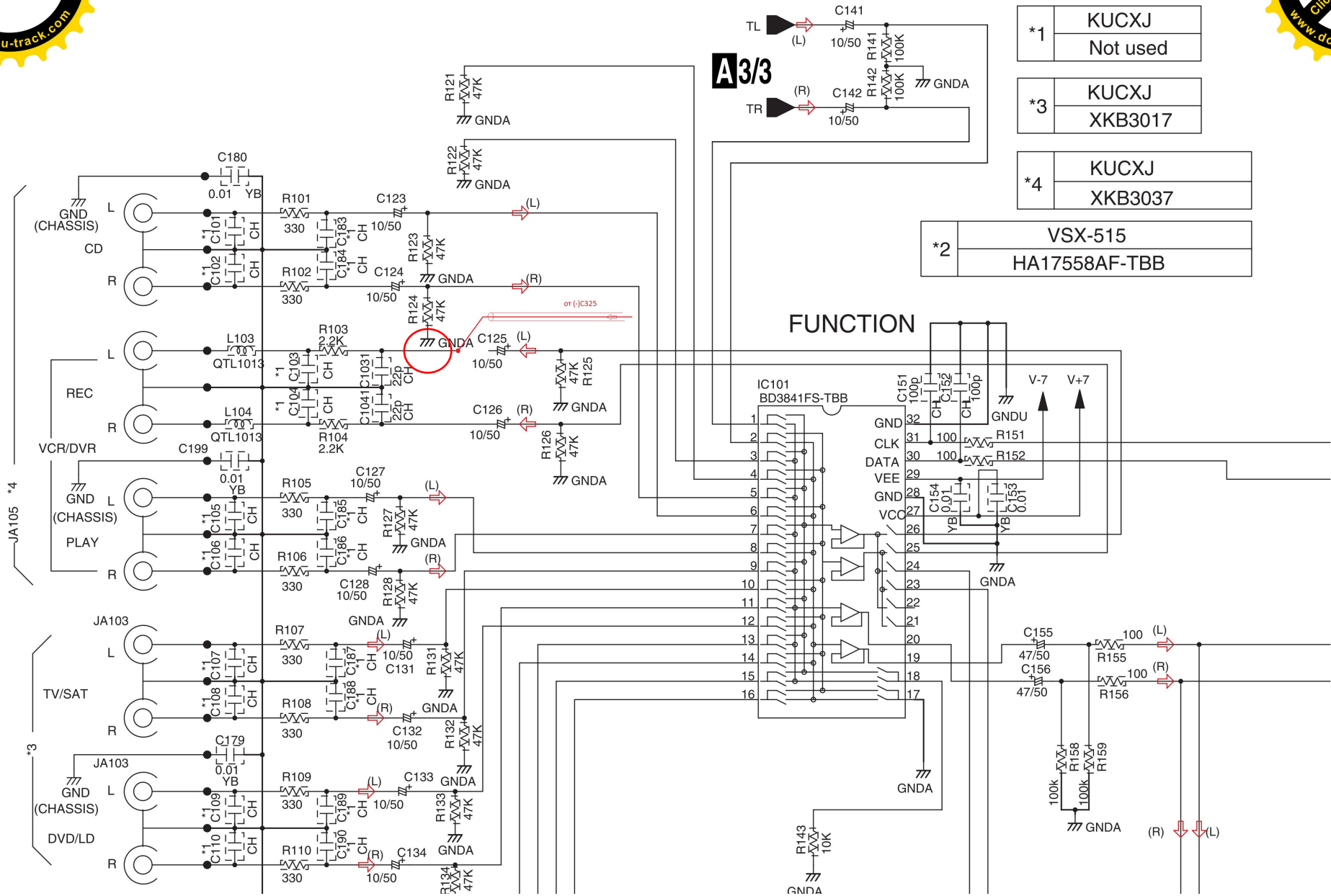
# MAIN ASSY (1/3)



A

B

C



A/3/3

FUNCTION

*1	KUCXJ
	Not used

*3	KUCXJ
	XKB3017

*4	KUCXJ
	XKB3037

*2	VSX-515
	HA17558AF-TBB

C155	100 (L)
47/50	
C156	100 (R)
47/50	

R155	100k
R156	100k
R158	100k
R159	100k