



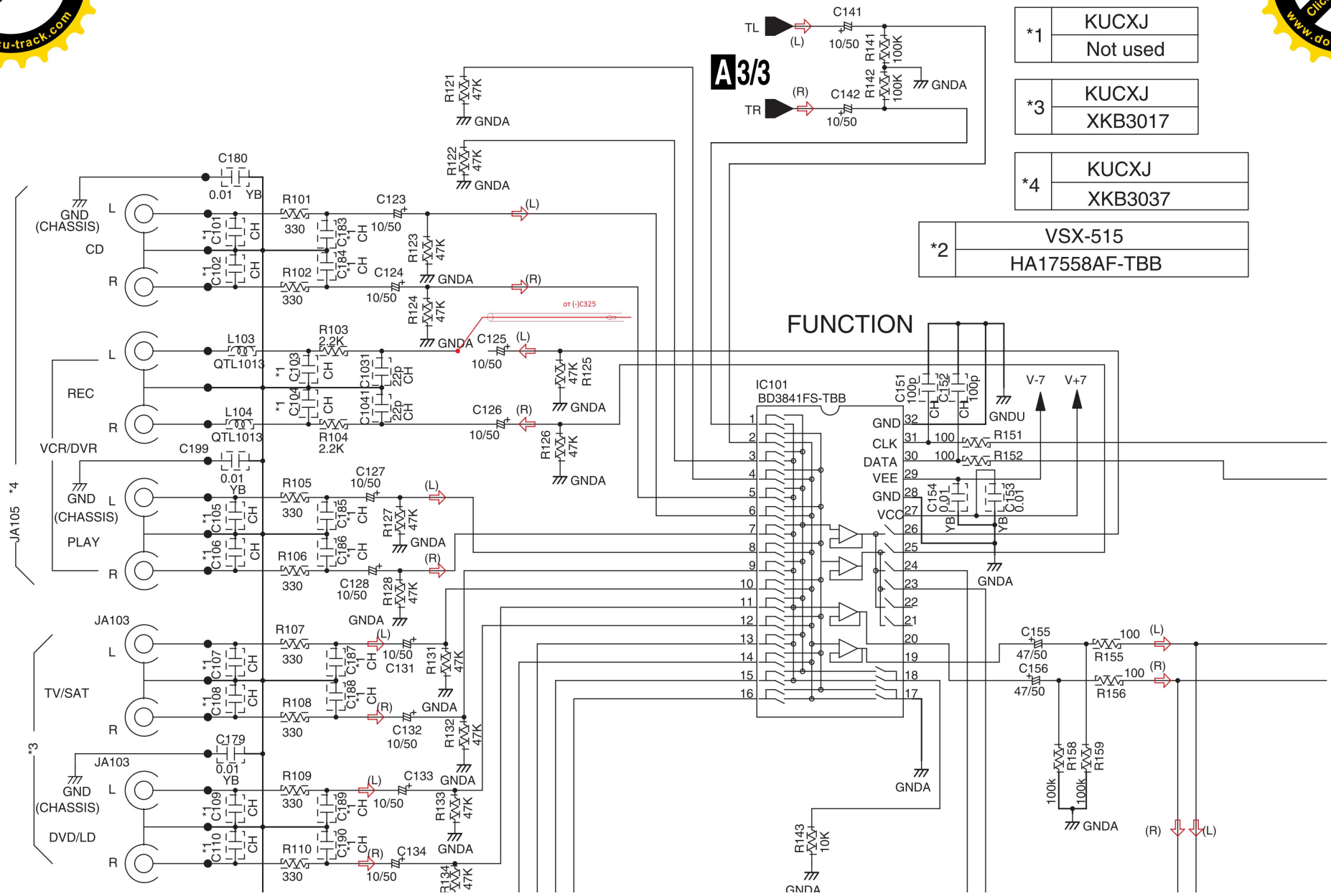
MAIN ASSY (1/3)



A

B

C



A/3/3

*1	KUCXJ
	Not used

*3	KUCXJ
	XKB3017

*4	KUCXJ
	XKB3037

*2	VSX-515
	HA17558AF-TBB

FUNCTION

C155	100 (L)
47/50	
C156	100 (R)
47/50	

100k	
100k	
R158	
R159	
GND	
(R)	(L)