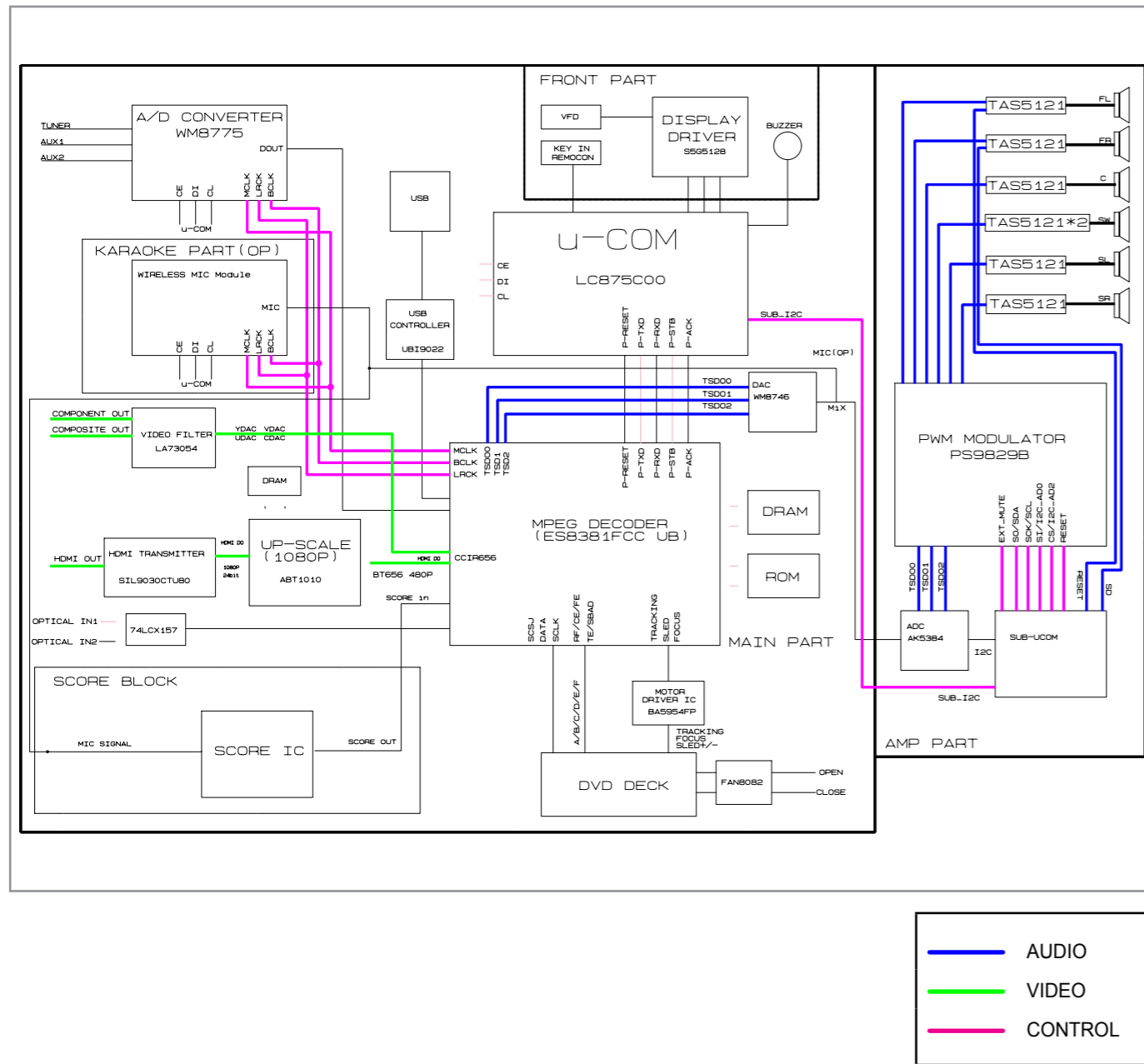

7. Schematic Diagram

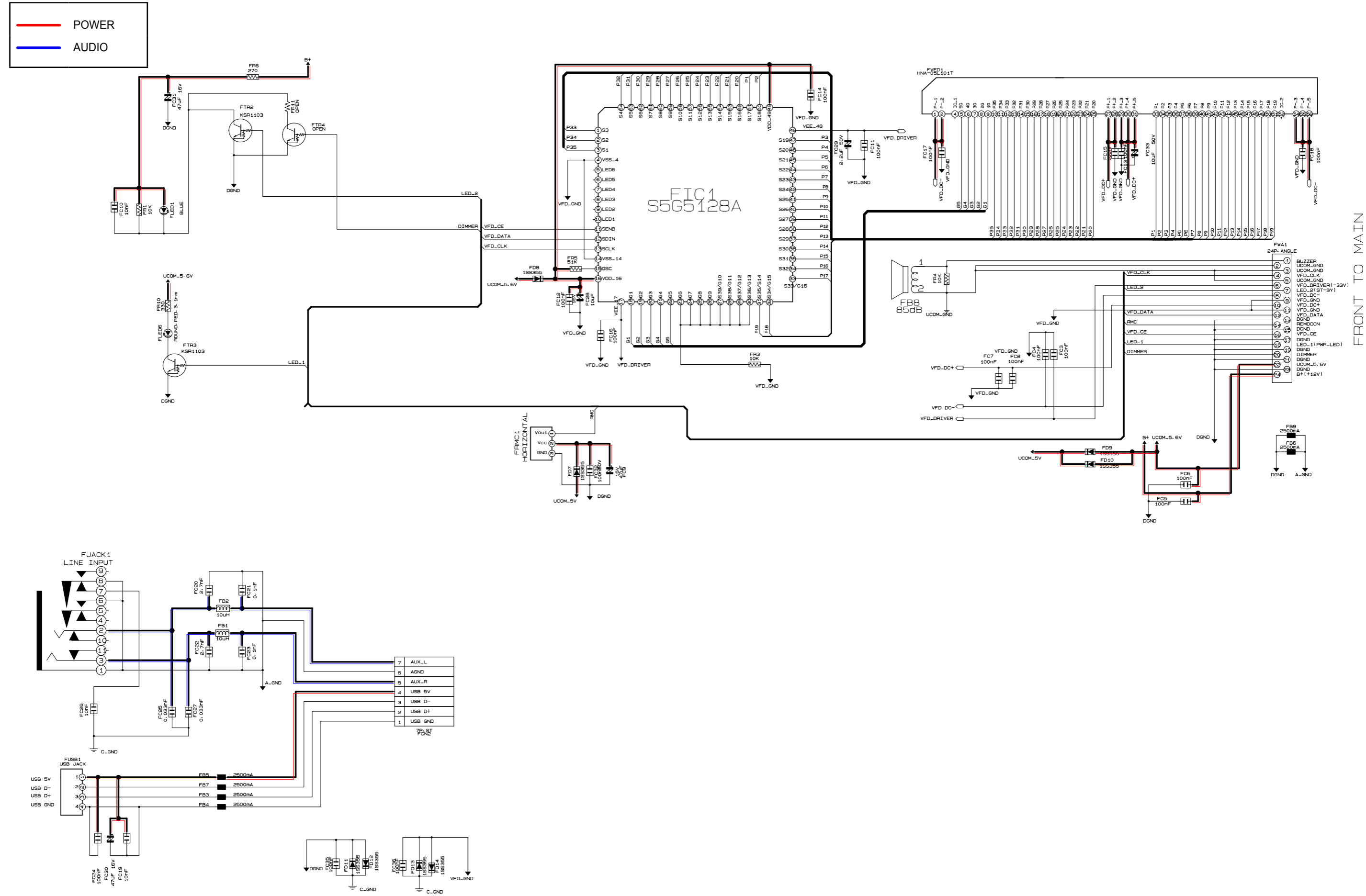
7-1 Overall Block Diagram.....	7-2
7-2 FRONT.....	7-3
7-3 AMP	7-4
7-4 MPEG/MAIN	7-5
7-5 MICOM/MAIN	7-6
7-6 HDMI/MAIN.....	7-7
7-7 KARAOKE, DAC/MAIN.....	7-8
7-8 SUBAMP.....	7-9
7-9 FUNCT, VIDEO, DIN/MAIN.....	7-10
7-10 SMPS, TOUCH PAD/MAIN.....	7-11
7-11 MAIN SMPS ASSY	7-12
7-12 SUB WOOFER SMPS ASSY	7-13

7-1 Overall Block Diagram



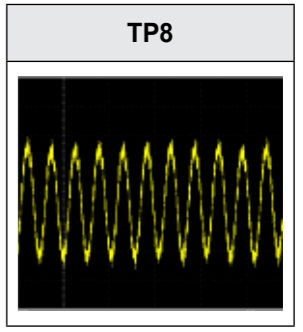
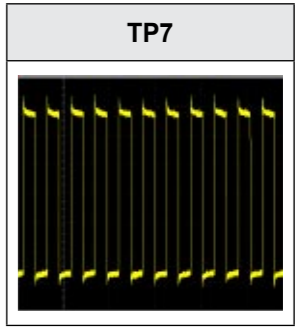
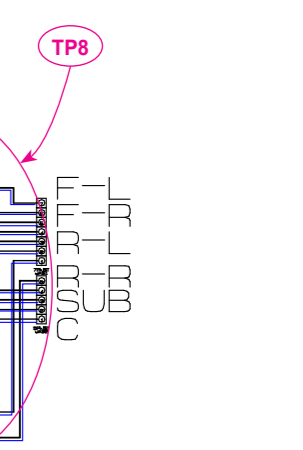
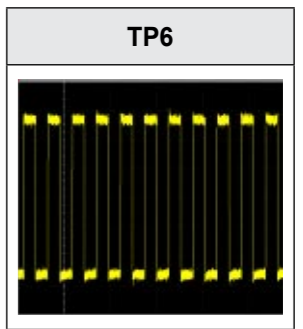
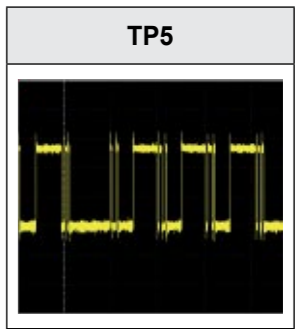
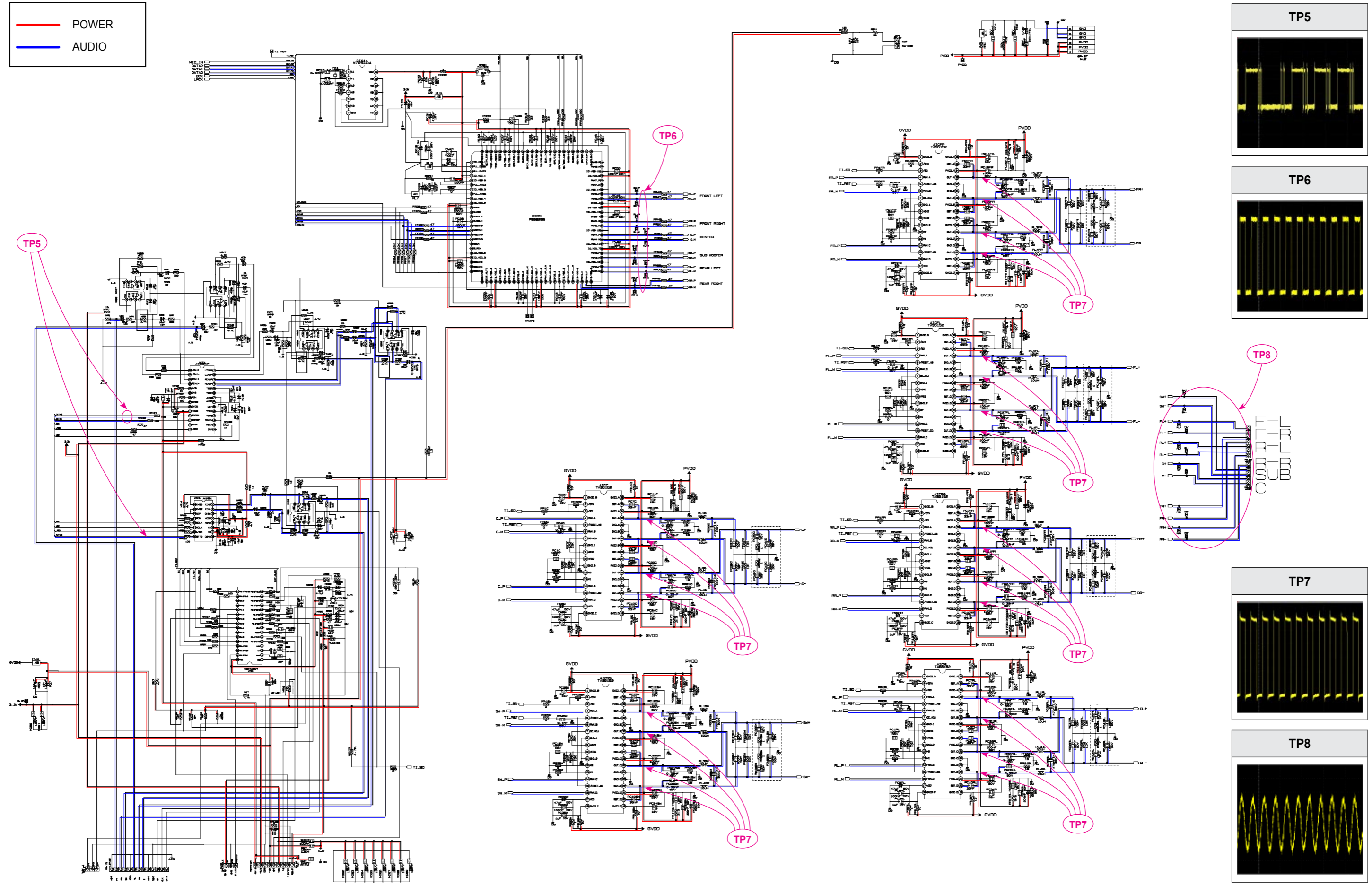
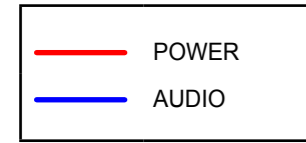
- The Main System uses the MPEG(ES 8381), the Up_scaler(FLI2301) and the Tx(Sil9030) of HDMI. The Main System consists of major circuit blocks such as HDMI, POWER, CEC, Front, Karaoke, etc. The Main System includes the functional blocks such as FM-Tuner, Input, ADC, Sub_Micom IC, etc.
- Display is connected with VFD.
- Audio signal is transmitted through Analog 2V between the main body and the sub woofer and is input to the AMP through ADC(AK5384). First, MPEG(ES8381) receives RF signal from the PICK_UP and decodes video and audio signal.
- HDMI IC is implemented by the I2C. The Micom and MPEG control each other through RXD and TXD communication.
- The Power supplies voltages for each component using the SMPS. The Power can be switched turned on or off through the Micom port. The functions can be controlled by the Touch Key and the DPL2 functions can be controlled with the remote control.

7-2 FRONT



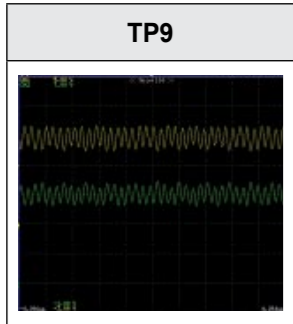
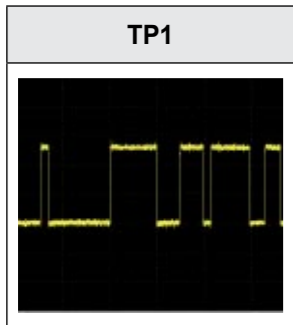
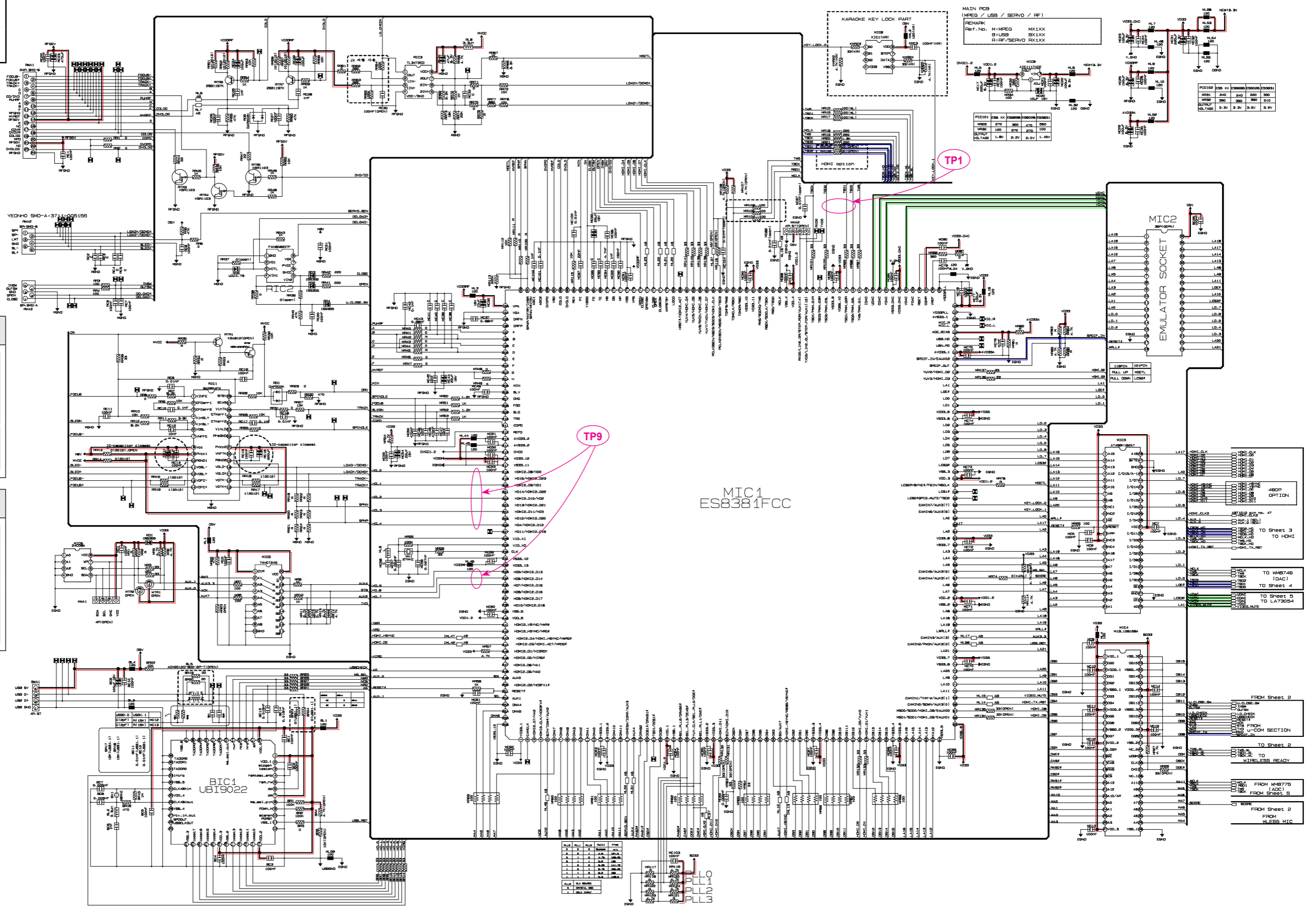
FRONT TO MAIN

7-3 AMP

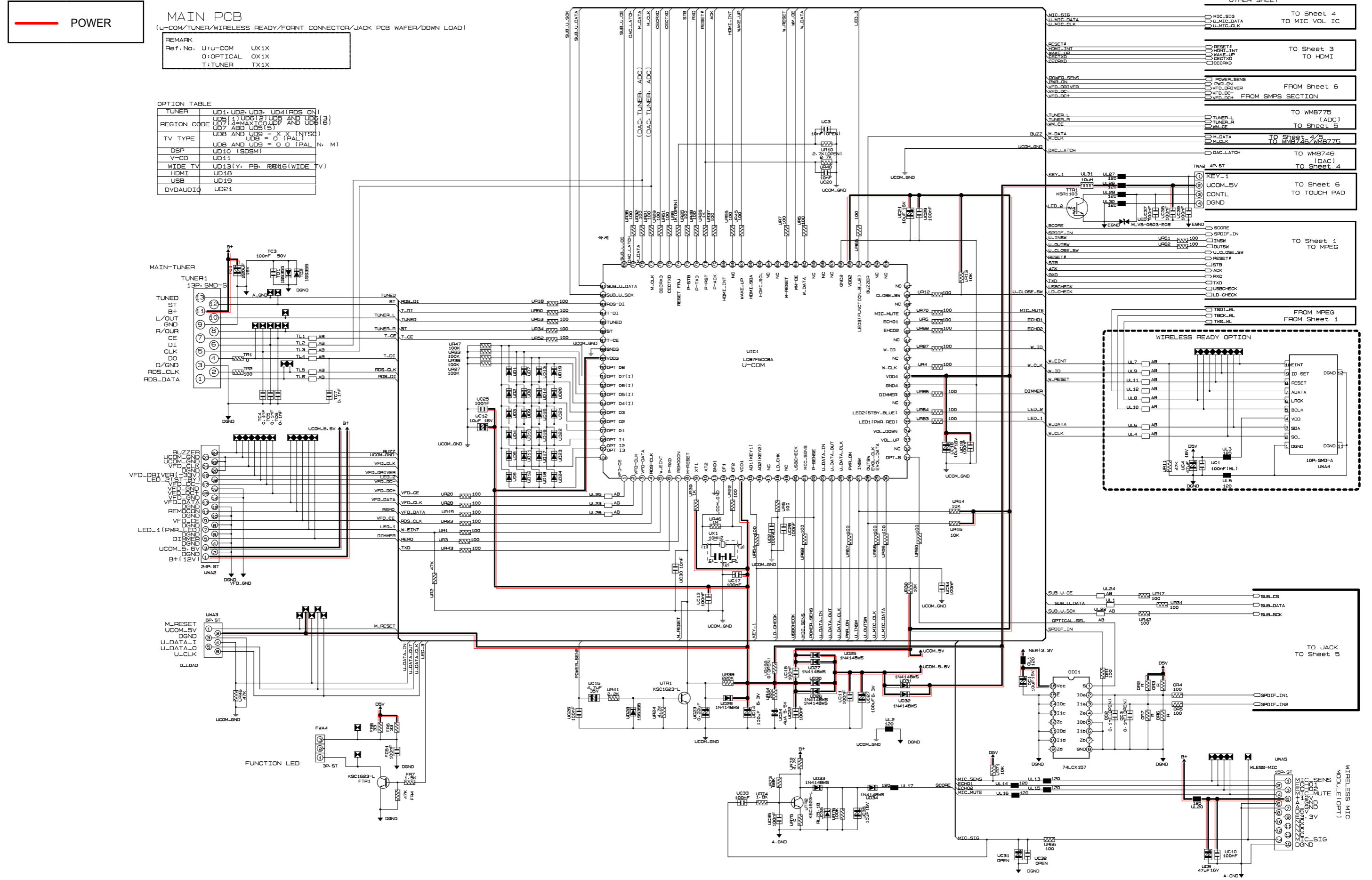


7-4 MPEG/MAIN

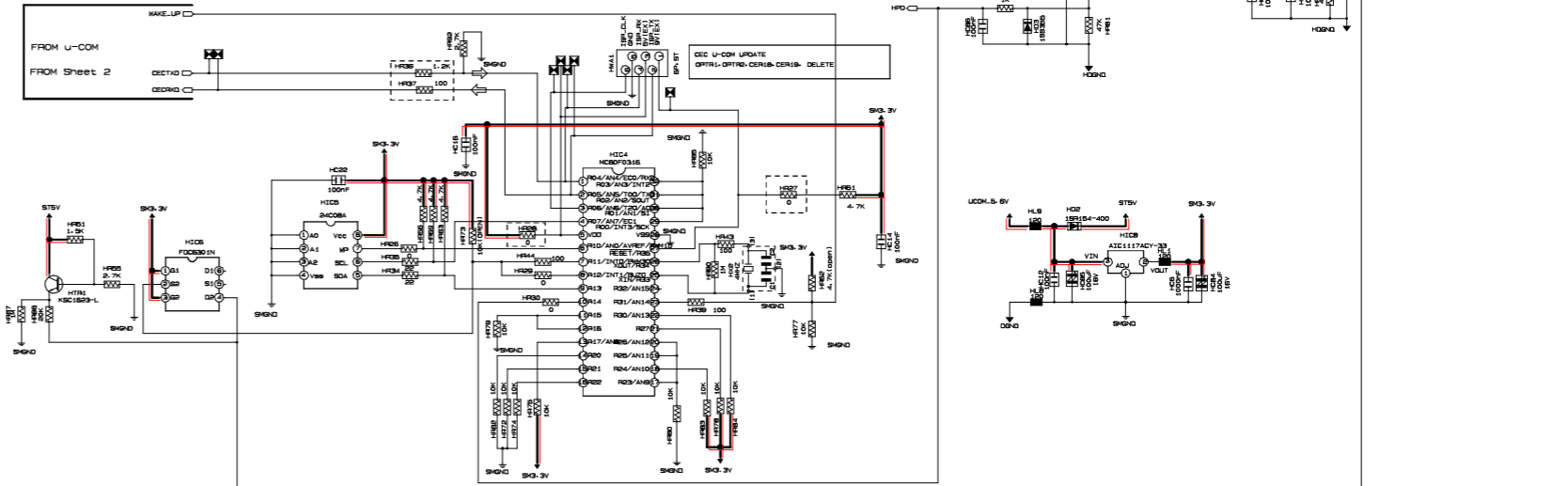
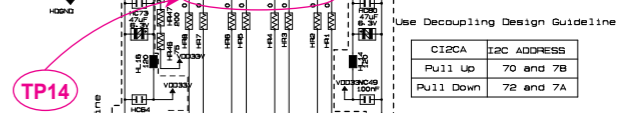
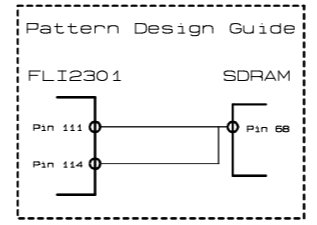
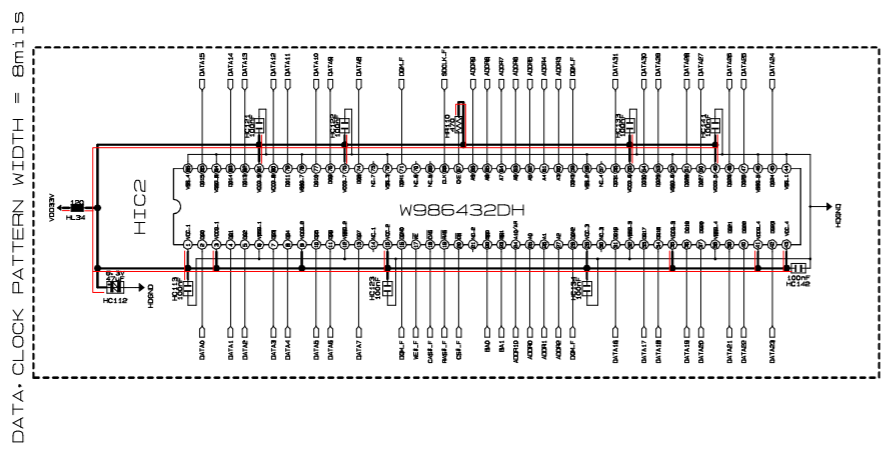
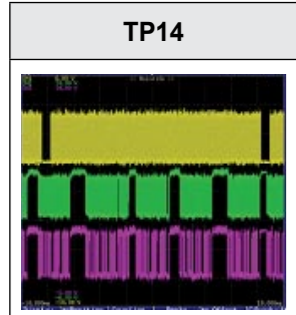
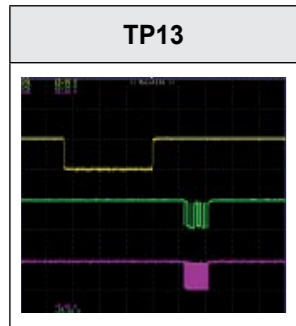
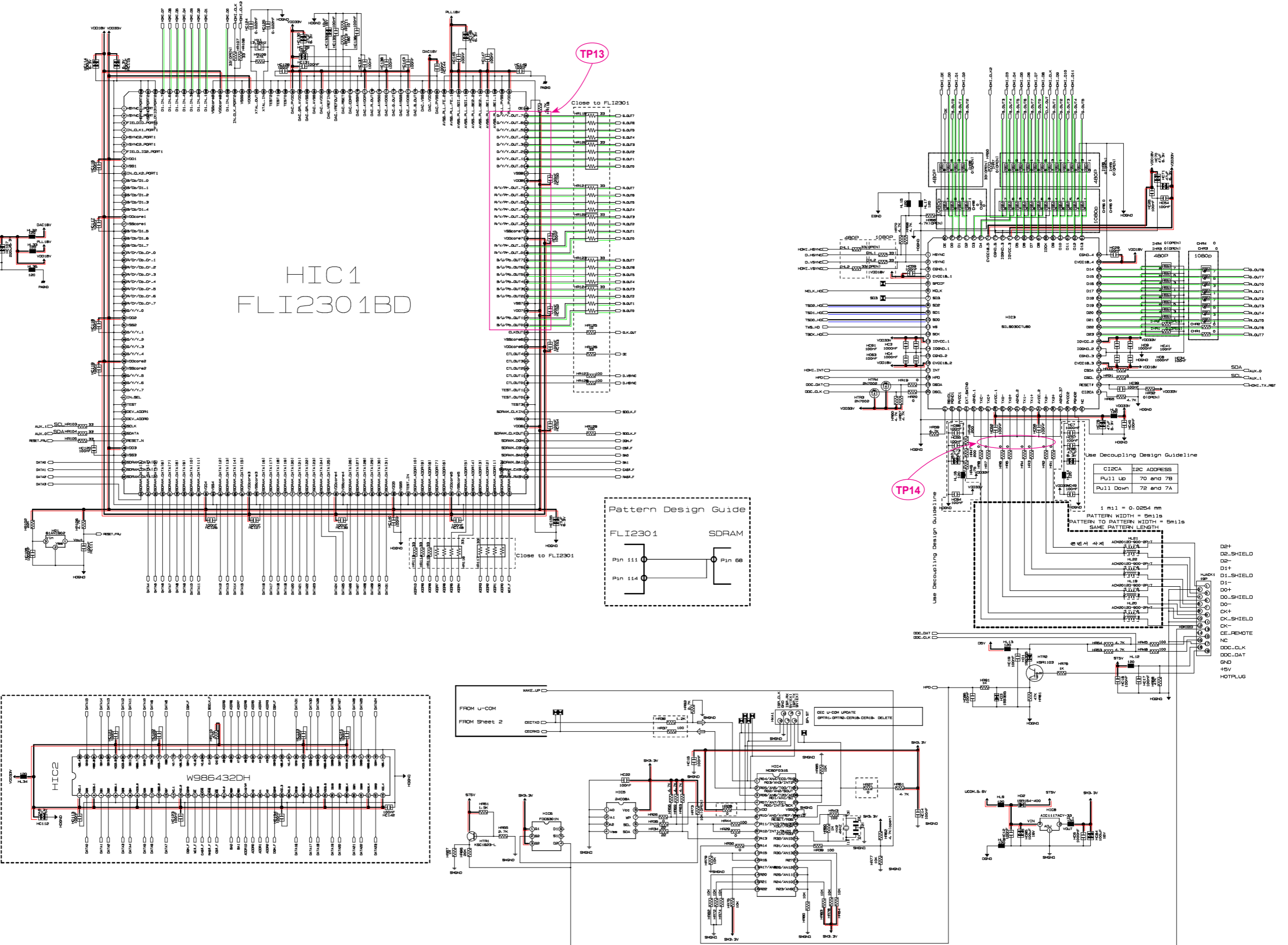
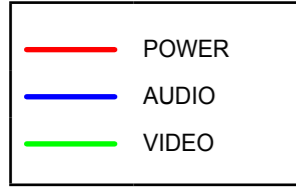
— POWER
— AUDIO
— VIDEO



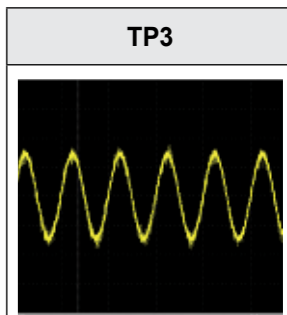
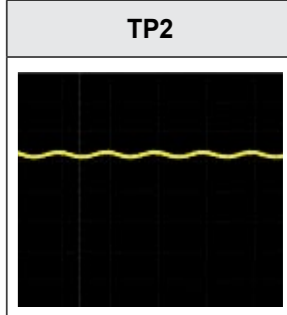
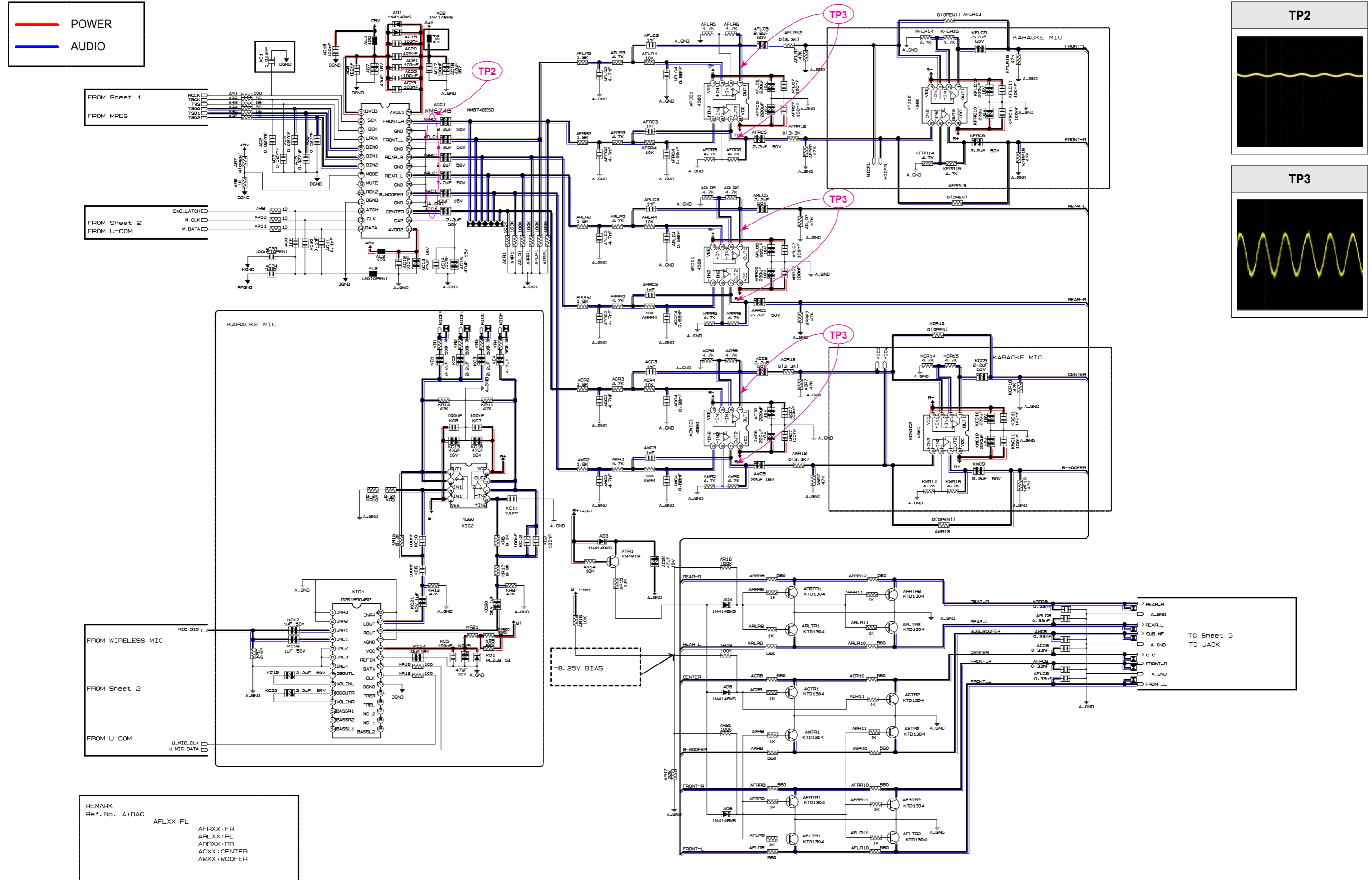
7-5 MICOM/MAIN



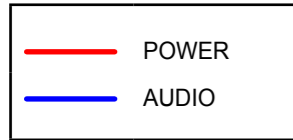
7-6 HDMI/MAIN



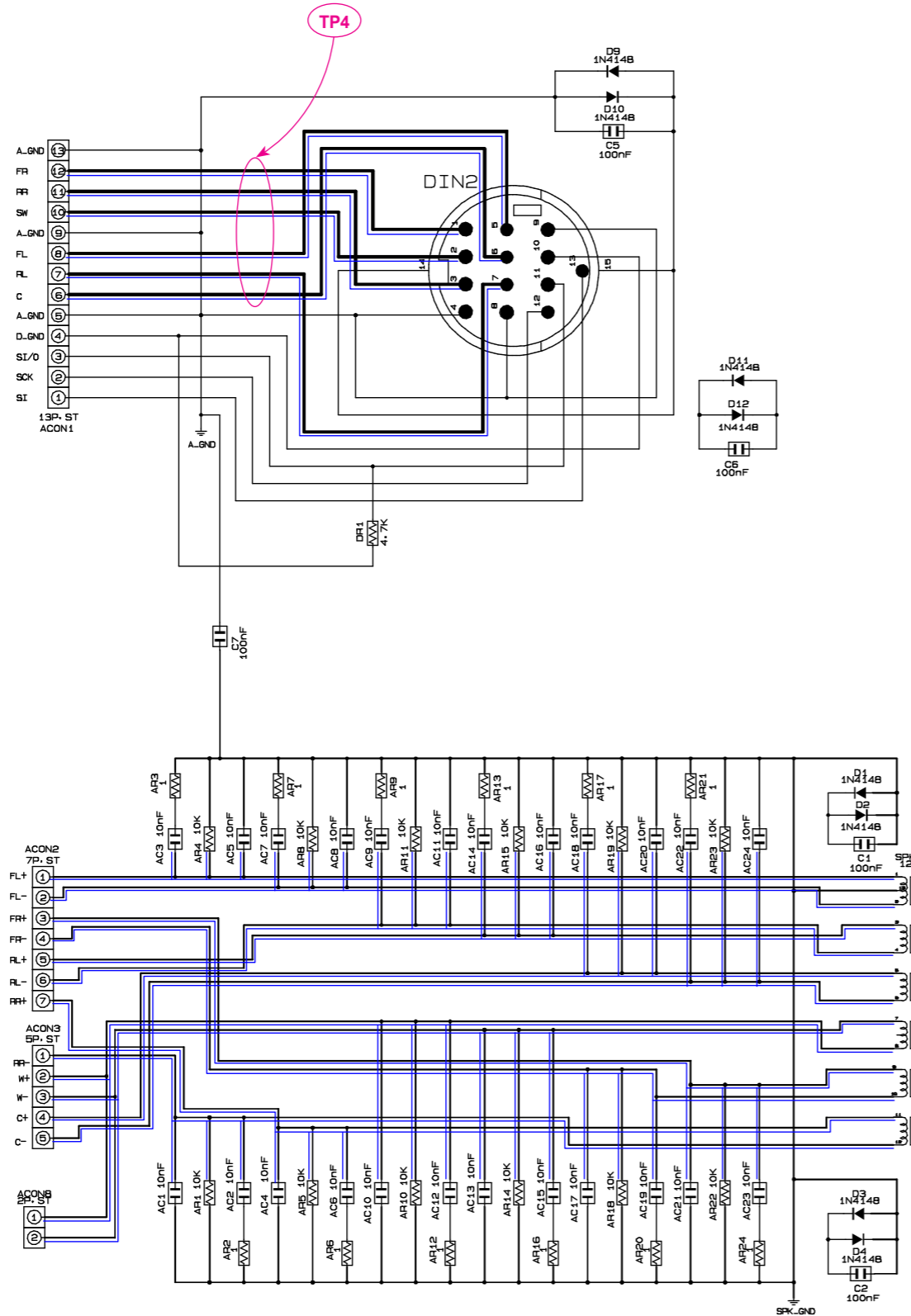
7-7 KARAOKE, DAC/MAIN



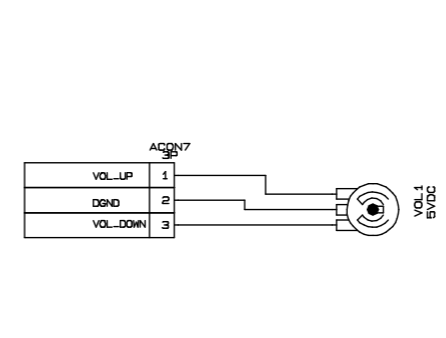
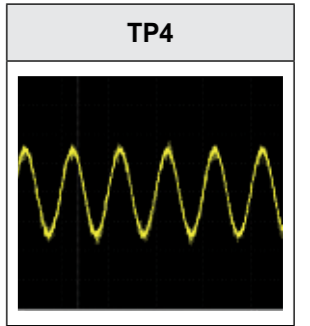
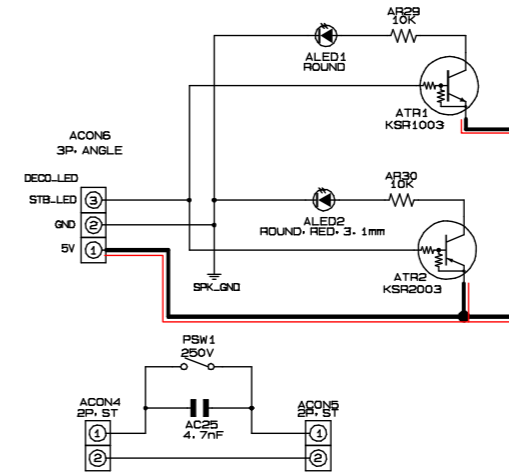
7-8 SUBAMP



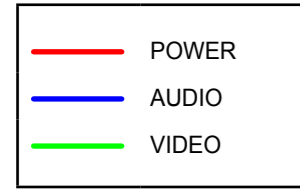
SPK JACK/ POWER PCB



STANDBY LED PCB

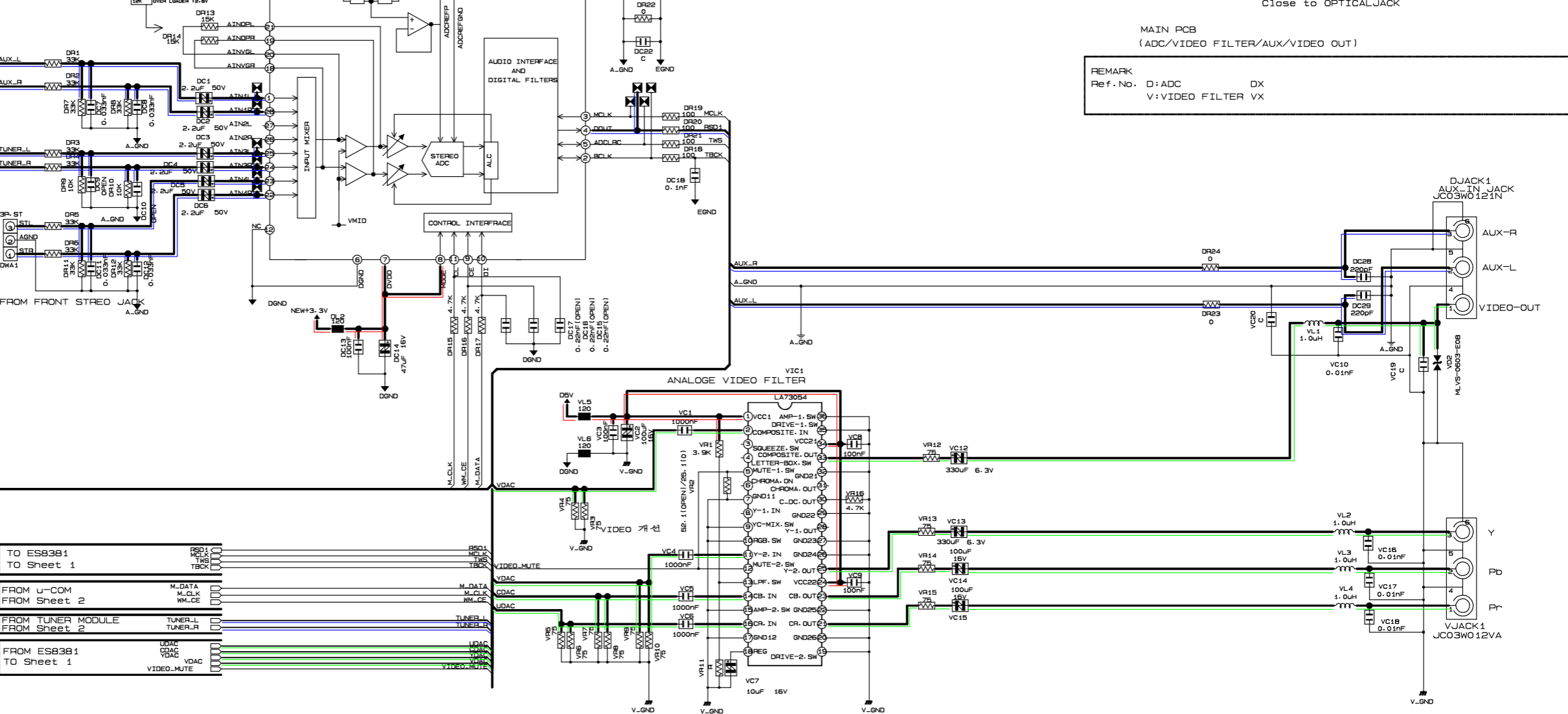
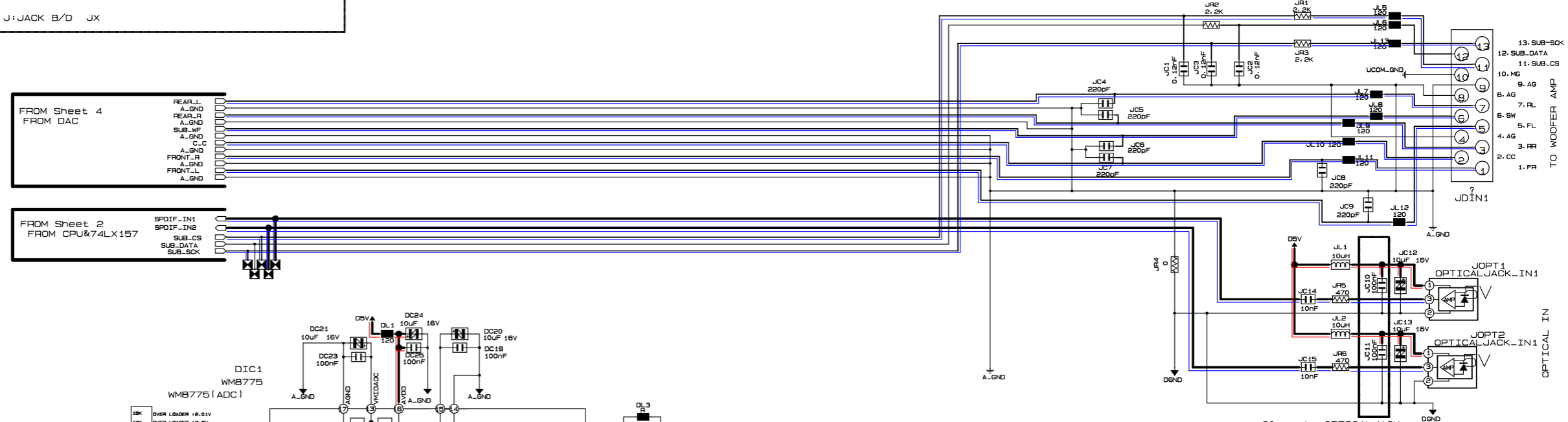


7-9 FUNCT, VIDEO, DIN/MAIN



JACK PCB

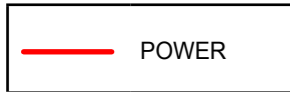
REMARK
Ref. No. J: JACK B/D JX



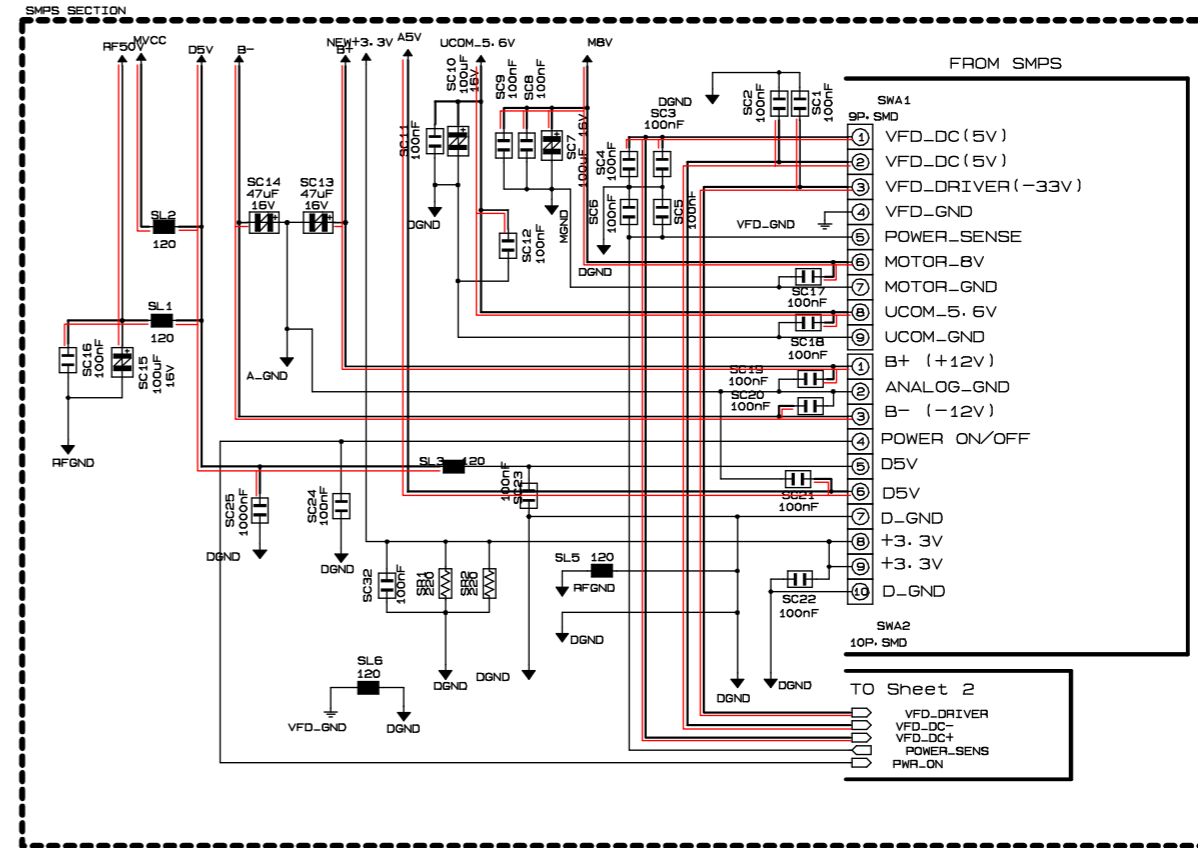
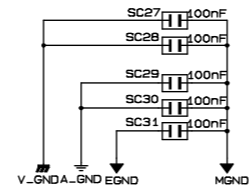
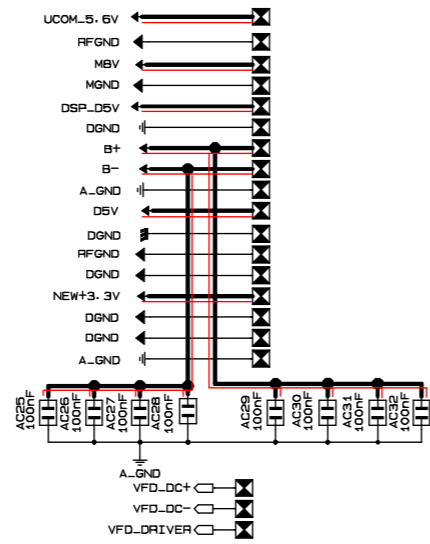
MAIN PCB
(ADC/VIDEO FILTER/AUX/VIDEO OUT)

REMARK
Ref. No. D: ADC DX
V: VIDEO FILTER VX

7-10 SMPS, TOUCH PAD/MAIN

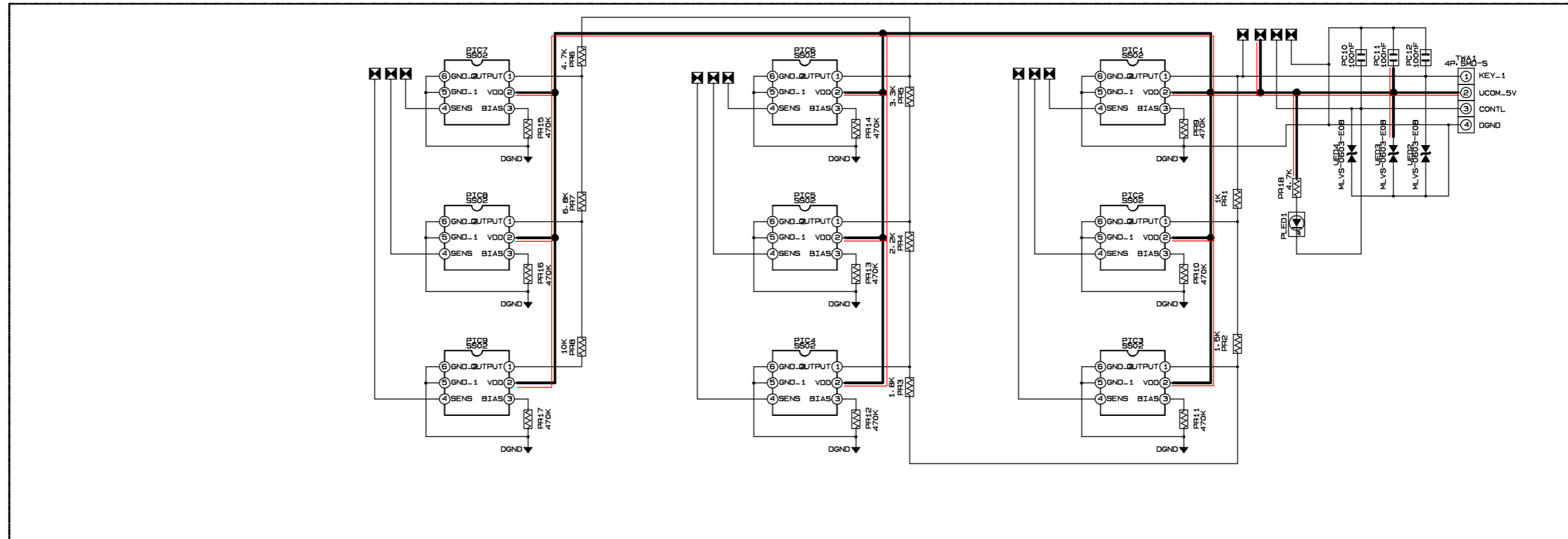


REMARK
 Ref. No. S: SMPS
 P: TOUCH PAD

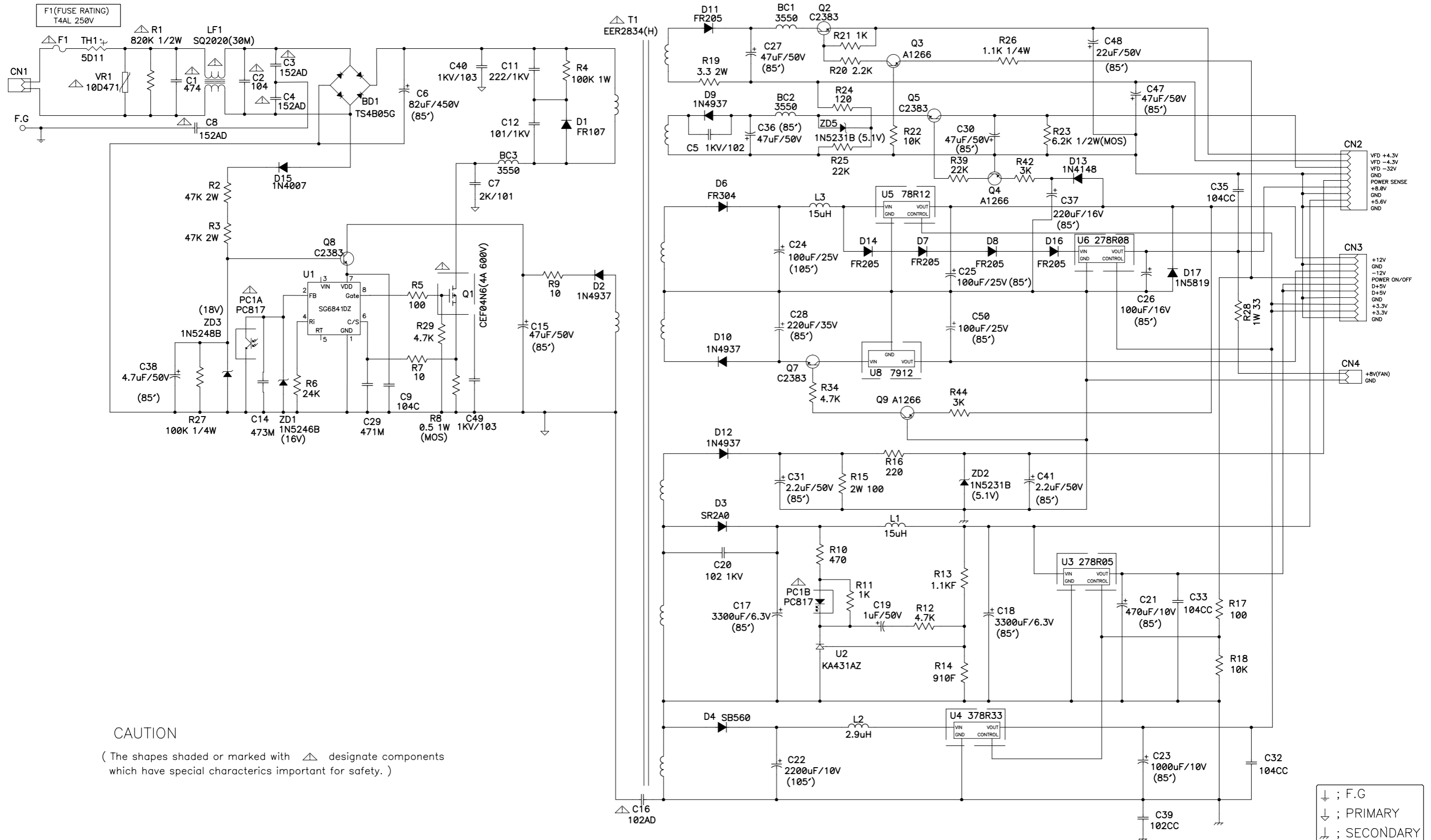


- FROM SMPS
- VFD_DC (5V)
 - VFD_DC (5V)
 - VFD_DRIVER (-33V)
 - VFD_GND
 - POWER_SENSE
 - MOTOR_5V
 - MOTOR_GND
 - UCOM_5.6V
 - UCOM_GND
 - B+ (+12V)
 - ANALOG_GND
 - B- (-12V)
 - POWER_ON/OFF
 - D5V
 - D_GND
 - +3.3V
 - +3.3V
 - D_GND
- TO Sheet 2
- VFD_DRIVER
 - VFD_DC
 - VFD_DC+
 - POWER_SENS
 - PWR_ON

TOUCH PAD PCB SECTION



7-11 MAIN SMPS ASSY



CAUTION
 (The shapes shaded or marked with \triangle designate components which have special characteristics important for safety.)

\triangle ; F.G
 \downarrow ; PRIMARY
 \uparrow ; SECONDARY

MEMO