

Switches



Contents	1
Slide Switches	
Notice	2
Product Lineup	3
SMT	4
DIP	4 - 5
Tactile Push Switches	
Notice	6
Tactile Push Switch	7
Double Action Type	8 - 10
Double Action Type with Shuttle Switch	11
Switch Units	
Introduction.....	12
Product Lineup	13
Snap Plate Variation	14
With EL Illumination.....	15
Multi-Direction Switches	
4 Directions	16 - 17
4 Directions Switch (Slide Operation type with push Switch)	17
High Withstand-load Type	18
With Encoder	19
Shuttle Switches	
Horizontal Type.....	20
with Push Switch	20 - 21
Vertical Type	22
Rotary Switch	22

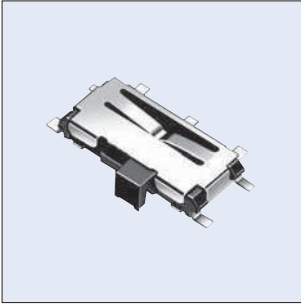
Notice

1. The contents of this catalog are applied to a product only that is not assembled in a customer's product. Please check and evaluate our product in condition that is assembled in your product before use. The contents in this catalog are only rough specification. Please request and approve our formal specification before you use.
2. The products are designed and manufactured for general electronic devices. Please do not use them for such devices (medical devices, security devices or aerospace instruments) that need advanced safety or high reliability.
3. This product is not splash-proof construction, and cannot be washed.
4. Storage Condition
 - (1) This product must be stored in normal temperature and humidity (5 to 35 degree-C, 45 to 85 %RH, no dew formation).
 - (2) This product must not be stored in atmosphere where a lot of salinities and sulfides exist. (Must not be stored in salinity density of 1% or more and sulfide of 0.03 ppm or more.)
 - (3) The product must not be stored with excessive load.
 - (4) Please use this product as soon as possible within 6 months after delivery.

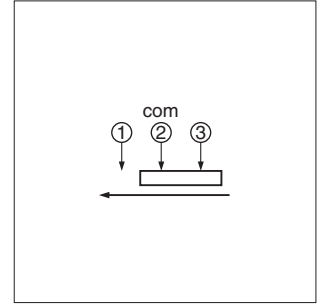
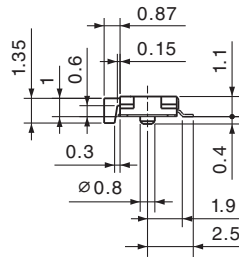
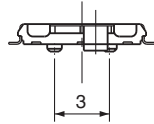
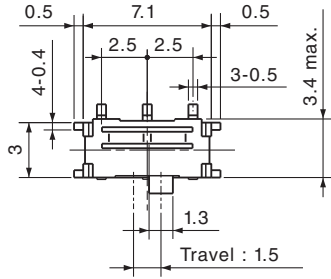
	Type	Position	Pole	Model No.	Operating Force	Terminal Pitch (mm)	Travel (mm)	Switching mode
SMT	Horizontal	2	1	HSW4512-310011	1.5±1N	2.5	1.5	Non-Shorting
DIP	Horizontal	2	1	HSW2060-210010	2±1.2N	2	2	Not Specified
		3	1	HSW2061-010019	Ⓐ, Ⓒ → Ⓑ 2±1N Ⓑ → Ⓐ, Ⓒ 3±2N	2	2	Not Specified
	Vertical	2	1 or 2	HSW0700 Series	3±1.5N	2	2	Not Specified

	SMT	DIP
Rated	0.1A 12V DC	0.5A 15V DC or 0.3A 30V DC
Contact Resistance	100mΩ max.	30mΩ max.
Insulation Resistance	100MΩ min. at 100V DC	100MΩ min. at 100V DC
Withstanding Voltage	250V AC / 1 minute	250V AC / 1 minute
Operating Life	10,000 cycles	10,000 cycles

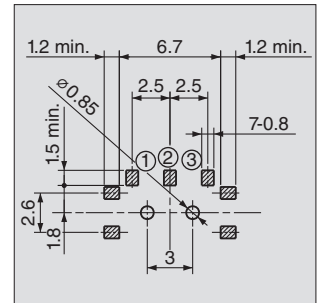
HSW4512



**HSW4512-310011
SMT**



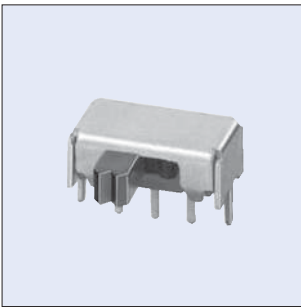
Circuit Diagram



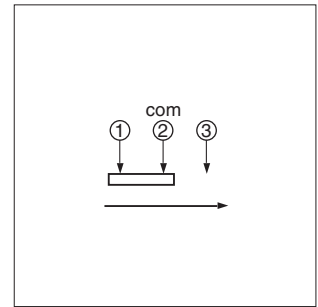
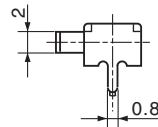
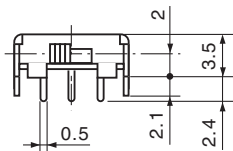
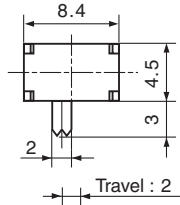
PCB Layout
(Top View)

Pole-Position	Switching Mode
1P-2T	Non-Shorting

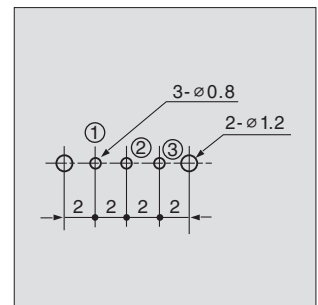
HSW2060



**HSW2060-210010
DIP**



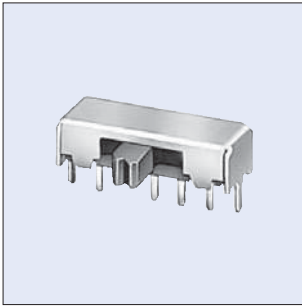
Circuit Diagram



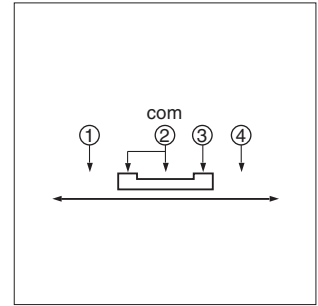
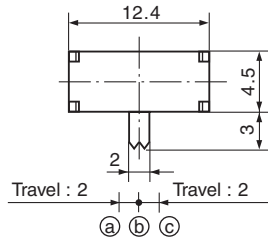
Hole Layout
(Bottom View)

Pole-Position	Switching Mode
1P-2T	Not Specified

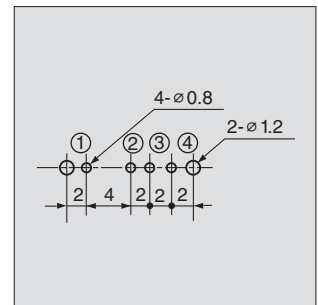
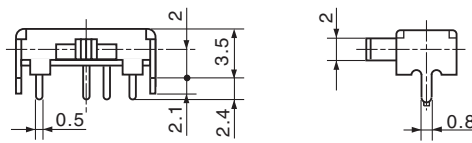
HSW2061



HSW2061-010019
DIP



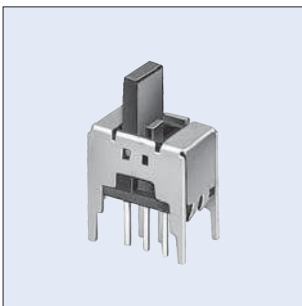
Circuit Diagram



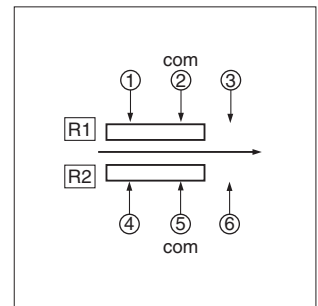
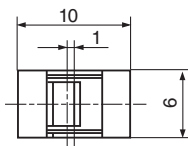
Hole Layout
(Bottom View)

Pole-Position	Switching Mode
1P-3T	Not Specified

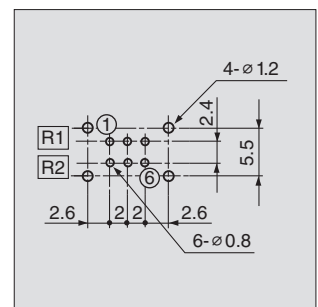
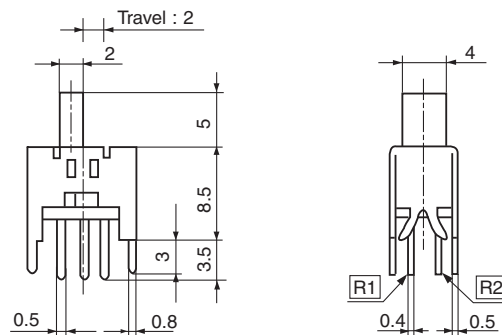
HSW0700



HSW0700-01-019
DIP



Circuit Diagram



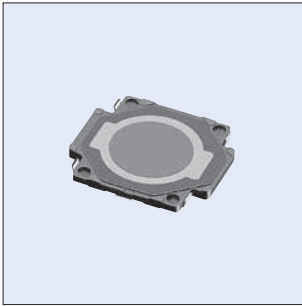
Hole Layout
(Bottom View)

Model No.	Pole-Position	Switching Mode	Used Poles
HSW0700-01-019	2P-2T	Not Specified	R1 • R2
HSW0700-01-039	1P-2T		R1

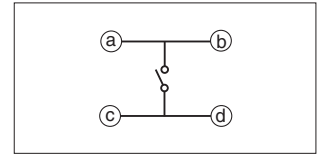
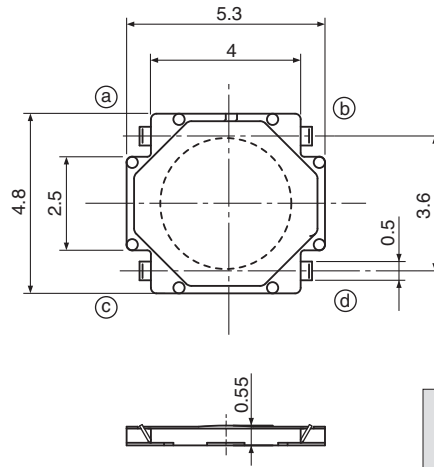
Notice

1. This product is not the drip proof structure.
2. Please don't push the snap plate by anything with sharp edge such as a needle (Less than a tip ball R1).
3. Please don't push the snapplate directly by fingers.
4. Please don't store the product in the atmosphere with many salt and sulfide.
5. This specification is applied to the switch only as a component.
Please confirm and evaluate the switch that is assembled into your merchandise.
6. The storage period must be for six months after your delivery.
(Storage condition:as shown in PACKING drawing)
7. Please store the product in normal temperature and humidity.
(temperature : 5 to 35°C, humidity : 45 to 85%RH)
because it causes the curve and deformation of the product in the high temperature and high humidity.

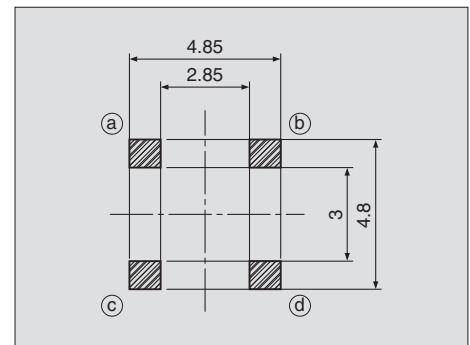
HKW0763



HKW0763-010012



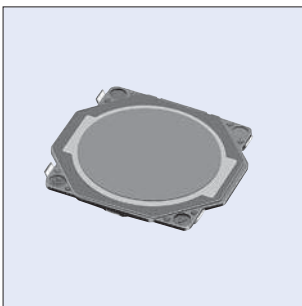
Circuit Diagram



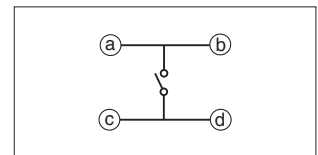
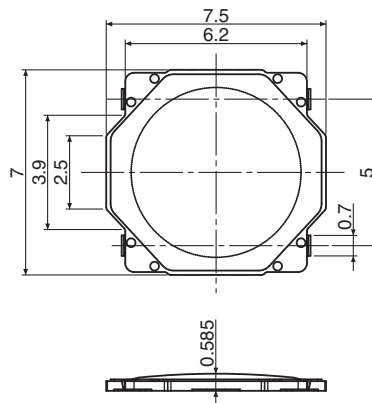
PCB Layout (Top View)

Rated	50mA 5V DC
Contact Resistance	100mΩ max.
Bounce	10msec max.
Operating Life	500,000 cycles
Operating Force	1.6±0.4N
Stroke	0.2±0.1mm

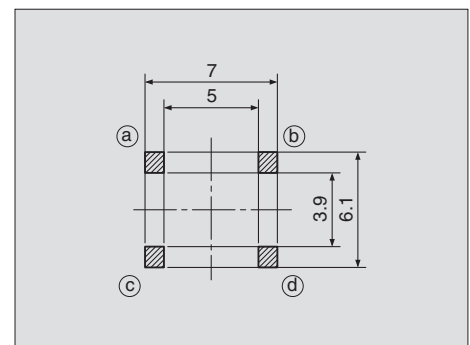
HKW0766



HKW0766-010012



Circuit Diagram

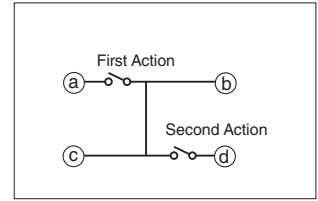
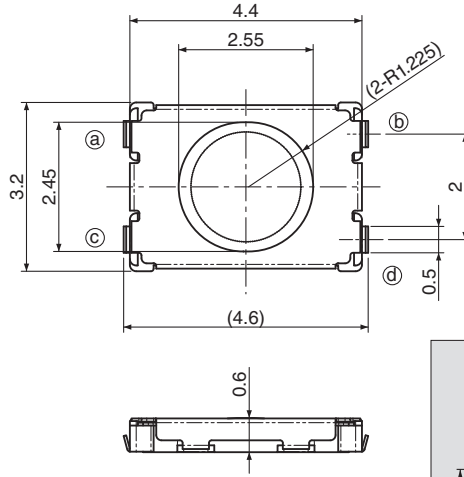
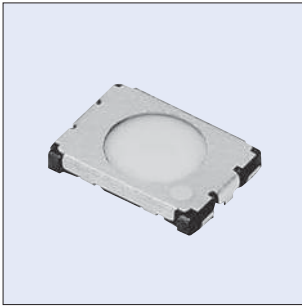


PCB Layout (Top View)

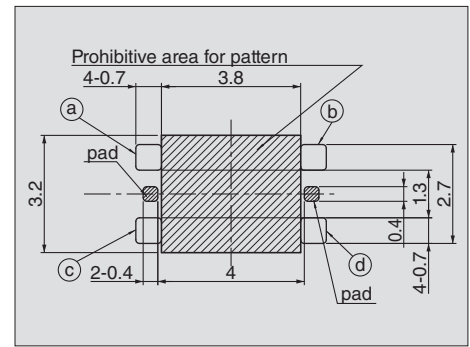
Rated	50mA 5V DC
Contact Resistance	100mΩ max.
Bounce	10msec max.
Operating Life	2,000,000 cycles
Operating Force	1.03±0.4N
Stroke	0.25±0.1mm

HKW0773 Series*

*HKW1773 : See table.



Circuit Diagram



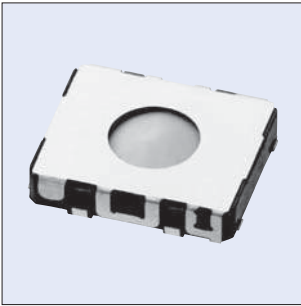
PCB Layout
(Top View)

Rated	50mA 5V DC
Contact Resistance	1Ω max.
Insulation Resistance	100MΩ min. at 100V DC
Withstanding Voltage	100V AC / 1 minute
Operating Life	100,000 cycles

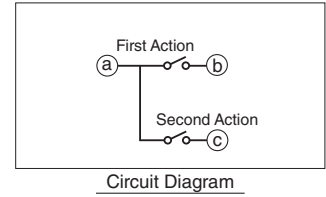
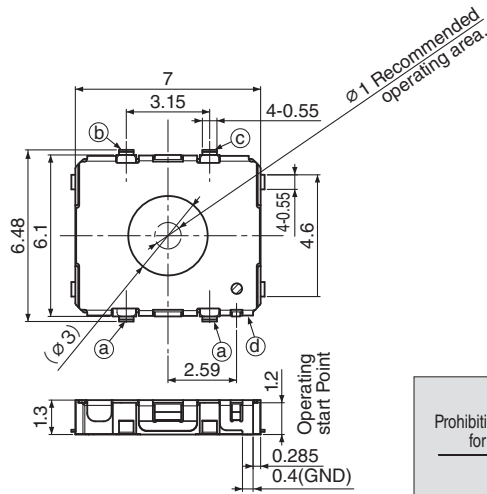
HKW0773 Series

Model Number	Types	Operating Force	Stroke
HKW0773-010011	High load type(2nd tier)	1st 0.8N 2nd 2.2N	1st 0.17mm 2nd 0.35mm
HKW0773-310011	Standard type	1st 0.8N 2nd 1.7N	1st 0.20mm 2nd 0.35mm
HKW0773-510011	Low load type	1st 0.4N 2nd 1.35N	1st 0.16mm 2nd 0.28mm
HKW1773-310011	Non click-feeling type(1st tier)	1st 0.5N 2nd 1.9N	1st 0.16mm 2nd 0.30mm

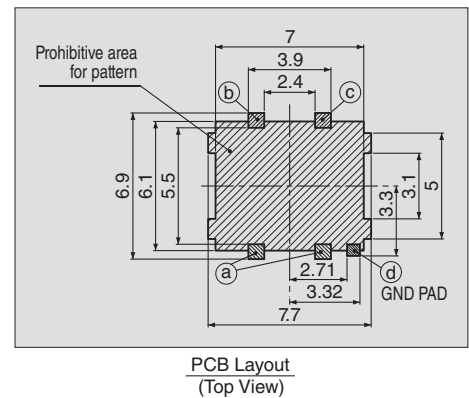
HKW0820



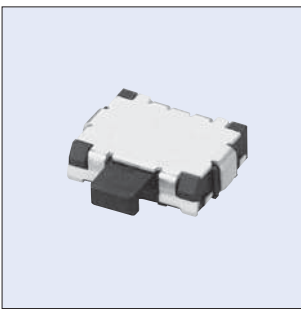
HKW0820-010011



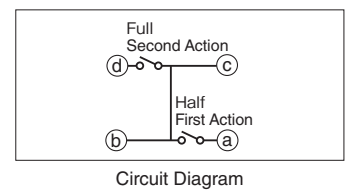
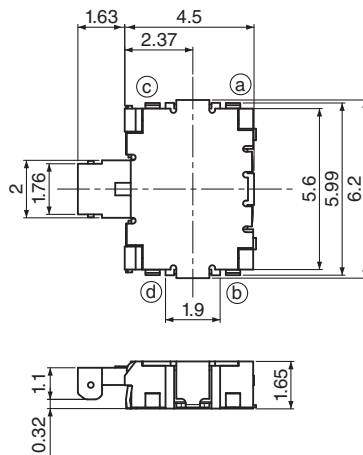
Rated	50mA 5V DC
Contact Resistance	1Ω max.
Insulation Resistance	100MΩ min. at 100V DC
Withstanding Voltage	100V AC / 1 minute
Stroke	First Action 0.50mm Second Action 0.73mm
Operating Force	First Action 1.0N Second Action 2.9N
Operating Life	200,000 cycles



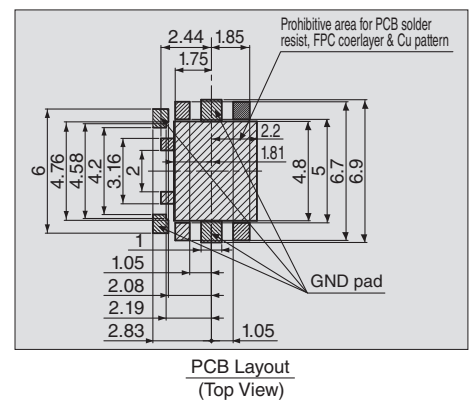
HKW0730



HKW0730-010011



Rated	10mA 5V DC max. 0.1mA 1V DC min.
Contact Resistance	300mΩ max.
Insulation Resistance	100MΩ min. at 100V DC
Withstanding Voltage	100V AC / 1 minute
Stroke	First Action 0.32mm Second Action 0.56mm
Operating Force	First Action 0.9N Second Action 2.2N
Operating Life	100,000 cycles



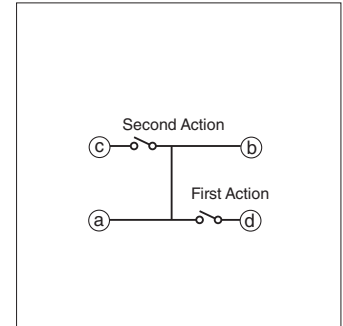
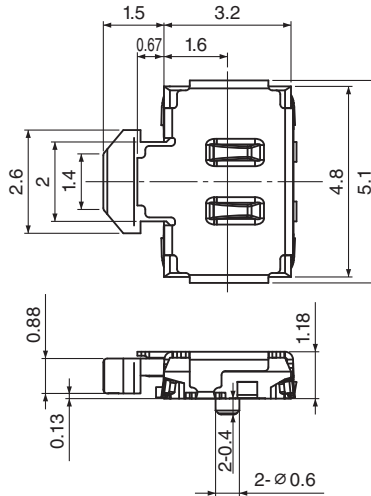
HKW0731



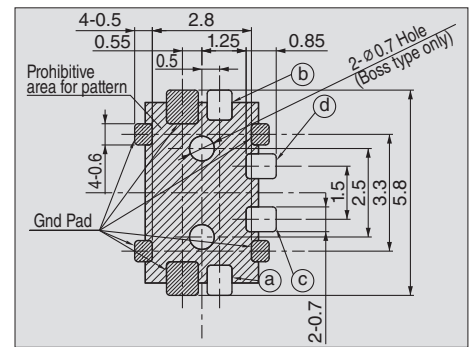
HKW0731-010011

Model No.	Boss
HKW0731-010011	without boss
HKW0731-210011	with boss

Rated	50mA 5V DC
Contact Resistance	10Ω max.
Insulation Resistance	100MΩ min. at 100V DC
Withstanding Voltage	100V AC / 1 minute
Stroke	First Action 0.21mm Second Action 0.45mm
Operating Force	First Action 0.9N Second Action 2.0N
Operating Life	100,000 cycles



Circuit Diagram



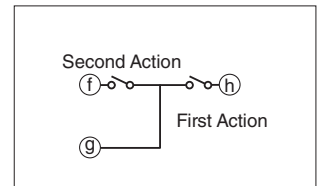
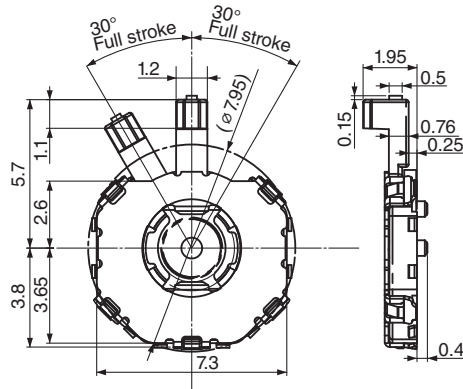
PCB Layout (Top View)

HXW0840

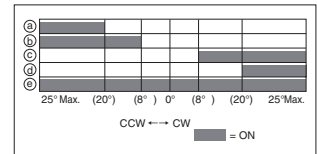


HXW0840-210011

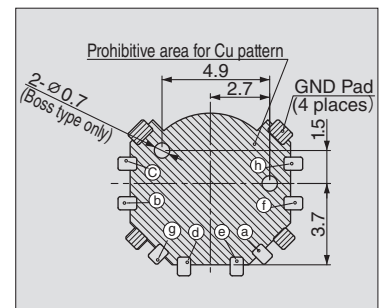
Rated	10mA 5V DC max. 0.1mA 1V DC min.
Contact Resistance	1Ω max.
Insulation Resistance	100MΩ min. at 100V DC
Withstanding Voltage	100V AC / 1 minute
Stroke	First Action 0.17mm Second Action 0.35mm
Operating Force	First Action 0.8N Second Action 2.2N
Operating Life	100,000 cycles



Circuit Diagram



Shuttle Switch Output Codes



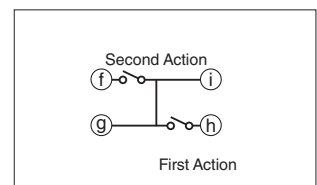
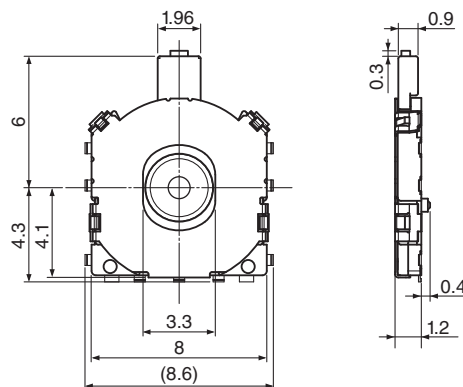
PCB Layout
(Top View)

HXW1774

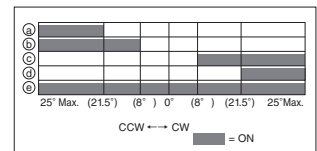


HXW1774-210011

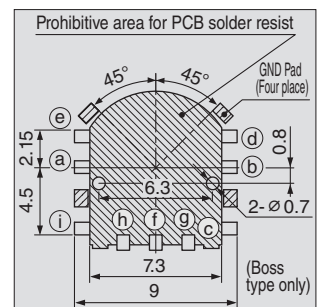
Rated	10mA 5V DC max. 0.1mA 1V DC min.
Contact Resistance	300mΩ max.
Insulation Resistance	100MΩ min. at 100V DC
Withstanding Voltage	100V AC / 1 minute
Stroke	First Action 0.17mm Second Action 0.35mm
Operating Force	First Action 0.7N Second Action 2.0N
Operating Life	100,000 cycles



Circuit Diagram



Shuttle Switch Output Codes



PCB Layout
(Top View)

Introduction

Hosiden has 20-years experience of process & assembly technology for Metal Dome (Snap Plate). Hosiden Metal Dome Assy developed by switch engineering section based on this experience is very suitable for compact equipment (mobile phone, PDA, etc.)

Only by sticking this Metal Dome Assy on PCB (or FPC), which has contact pattern good Tactile feeling & thin type switch Assy can be made.

Of course Switch Unit (Metal Dome Assy with PCB or FPC) is also available.

Features

Snap Plate

- Good tactile feeling by original design.
- Stable products with superior material, tooling and forming technology.
- Variation of the snap plate from 3.5mm dia to 6mm dia. (Standard made)
6, 5.5, 5, 4.5, 4 and 3.5 dia type and Oval shape, light force type is available.

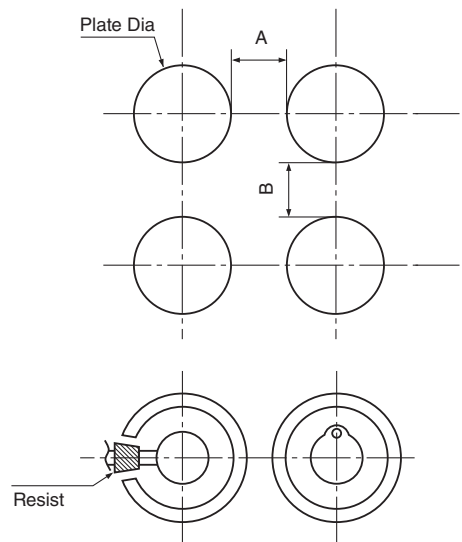
Others

- High accuracy and easy assembly by original process technology. (Patented and Patent pending.)
- Standard color of a tape is white, but another colors are available on request.
- 4 different structures are available as shown next page.

■ Key pitch 1.0mm min. pitch on either side of A or B is available.

■ Recommended pattern

In case that there is the part of drawing line on the single sided printed board, please apply more than double resister coating.
Recommended plating : 0.05 μ m Gold over 2 μ m Nickel



Recommended Pattern

Unit:mm

Plate Dia (mm)	6	5.5	5	4.5	4
PCB Pattern					

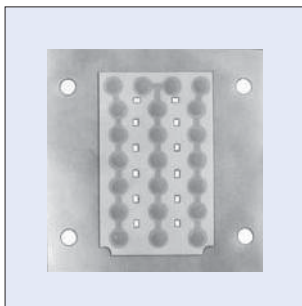
	Structures		Characteristic
A Type	1 Layer (Type usually)	Delivery form (Sheet / Reel)	<ul style="list-style-type: none"> • Simple construction • Better click feeling due to soft tape. • Circle type or slit for air vent hole is available.
B Type	2 Layer (With spacer)	Delivery form (Sheet / Reel)	<ul style="list-style-type: none"> • Easy to design contact area on PCB. • Easy to handle due to double layer. • Circle type or slit for air vent hole is available.
C Type	2 Layer (Sealing up and dustproof type)	Delivery form (Sheet / Reel)	<ul style="list-style-type: none"> • Dust proof type • No air vent hole on the first layer tape
D Type	2 Layer (Not sticking on the substrate side)	Delivery form (Sheet / Reel)	<ul style="list-style-type: none"> • Easy to assemble due to no adhesive type on backside.

- Reel package is available. (Standard Quantity per Reel : 1,000 pcs)
- High accuracy of positioning snap plates eliminates bad feeling due to displacement.

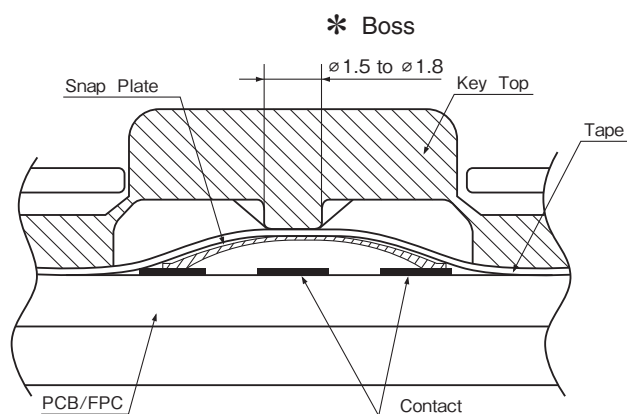
Snap Plate Variation

Plate Dia. (mm)	Travel (mm)	Height (mm)	Operating Force (N)	Operating Life (Cycles)	Materials
ø 6.0	0.21	0.30	1.8	1,000,000	SUS
	0.20	0.26	1.7	1,000,000	SUS
	0.26	0.26	1.9	500,000	SUS
ø 5.5	0.22	0.28	1.3	1,000,000	SUS
	0.22	0.28	1.6	1,000,000	SUS
ø 5.0	0.18	0.23	1.6	1,000,000	SUS
	0.19	0.25	1.8	1,000,000	SUS
ø 4.5	0.17	0.23	1.5	500,000	SUS
ø 4.0	0.15	0.20	1.5	500,000	SUS
	0.17	0.20	1.8	500,000	SUS
5.4 × 4.2	0.23	0.30	1.75	500,000	SUS (Oval)
4 × 3.1	0.18	0.25	1.8	500,000	SUS (Oval)
3.5 × 2.5	0.16	0.21	1.6	500,000	SUS (Oval)

HKW1116



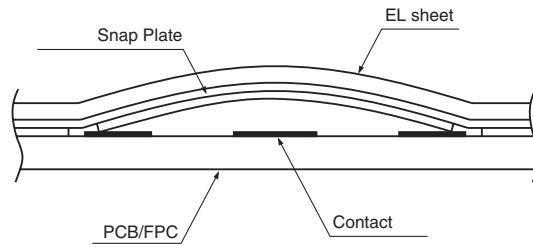
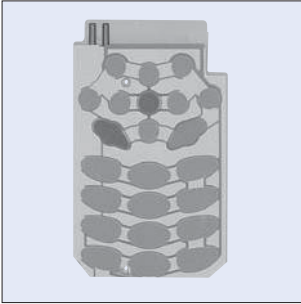
Structure



Tape : PET 25 μ m (or 50 μ m) adhesive 30 μ m Color white · transparent
· black · others

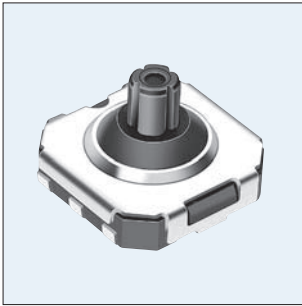
Snap Plate (mm)	* Boss of Key Top (mm)
ø 4	ø 1.5 to ø 1.8
ø 5	ø 1.5 to ø 1.8
ø 5.5 to ø 6	ø 1.5 to ø 1.8

HKW1540

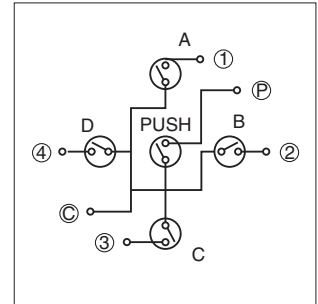
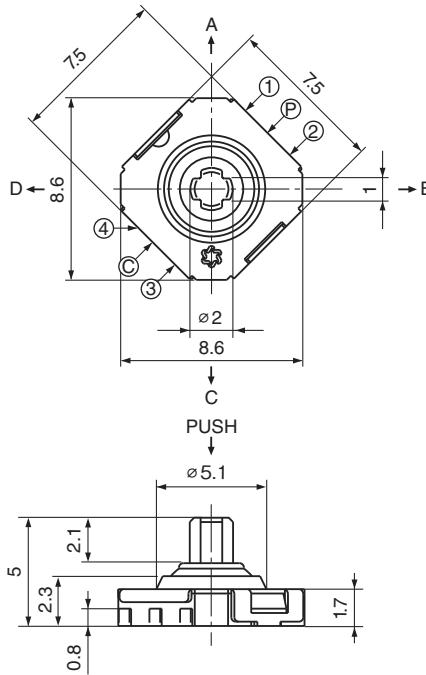


EL Luminance	65cd/m ² (White)
Operating Life	300,000 cycles
Thickness	0.38mm (EL Sheet : 0.1mm)

HXW0767

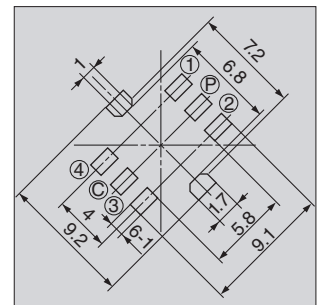


HXW0767-610021



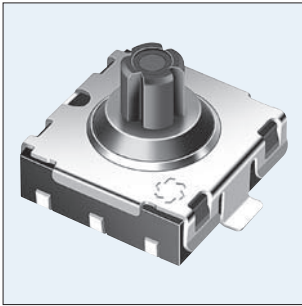
Circuit Diagram

Rated	50mA 20V DC max.	
	10μA 1V DC min.	
Contact Resistance	100mΩ max.	
Insulation Resistance	100MΩ min. at 100V DC	
Withstanding Voltage	100V AC / 1 minute	
Operating Force	X / Y Axis 4-Direction	0.5N to 1.3N
	Push Direction	1.7N to 2.9N
Operating Life	500,000 cycles	



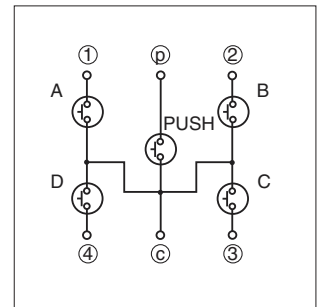
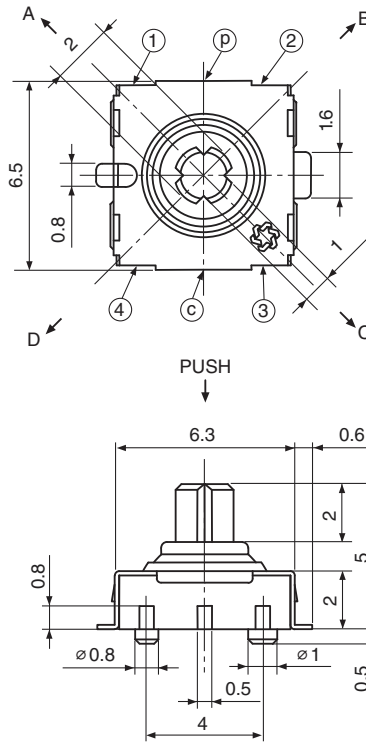
PCB Layout
(Top View)

HXW0801

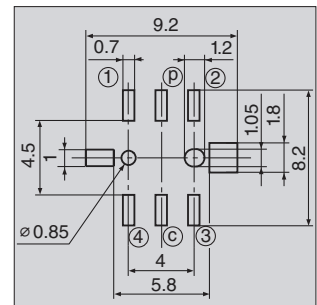


HXW0801-010031

Rated	50mA 5V DC max.	
	10μA 1V DC min.	
Contact Resistance	100mΩ max.	
Insulation Resistance	100MΩ min. at 100V DC	
Withstanding Voltage	100V AC / 1 minute	
Operating Force	X/Y Axis 4-Direction	1.2 ^{+1.0} _{-0.7} N
	Push Direction	2.2 ^{+1.4} _{-1.1} N
Operating Life	200,000 cycles	

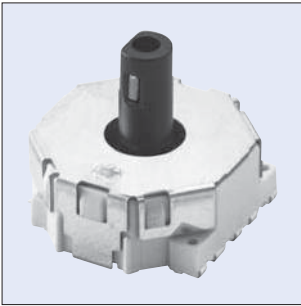


Circuit Diagram

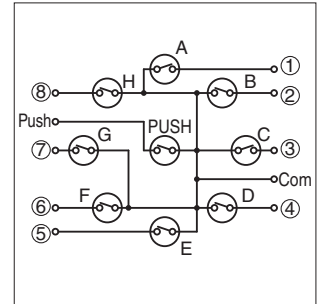


PCB Layout (Top View)

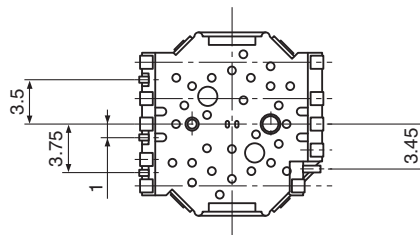
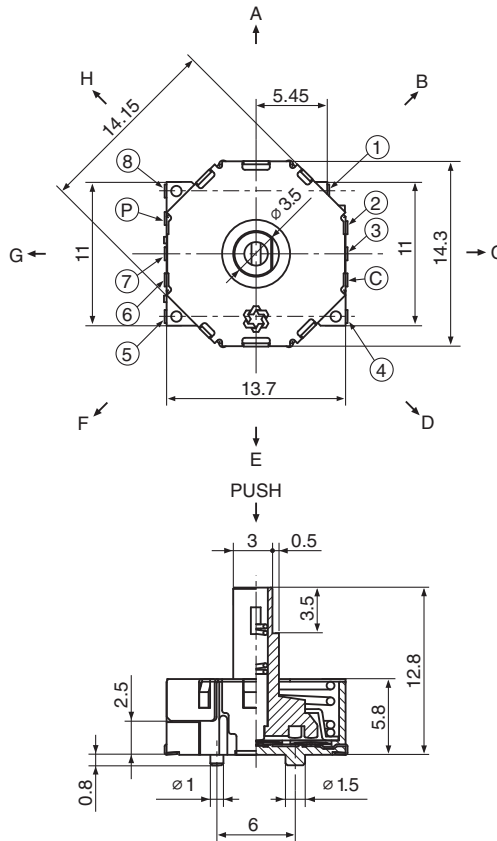
HXW0805



HXW0805-01



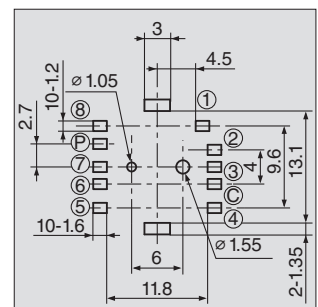
Circuit Diagram



Model No.	Operation Function
HXW0805-01	8 Directions (A to H) + Center Push
HXW0805-31	4 Directions (A · C · E · G) + Center Push

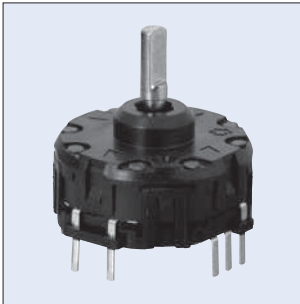
Withstand load	
Push Direction	400 N

Rated	10mA 5V DC max. 1mA 1V DC min.	
Contact Resistance	1Ω max.	
Insulation Resistance	10MΩ min. at 100V DC	
Withstanding Voltage	100V AC / 1 minute	
Operating Force	4 or 8 Directions	2±0.5N
	Push Direction	4.5±1N
Operating Life	1,000,000 cycles	

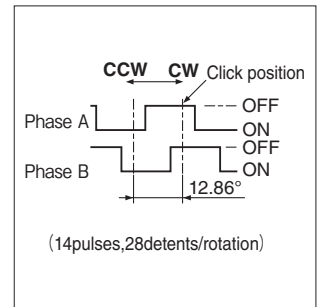


PCB Layout
(Top View)

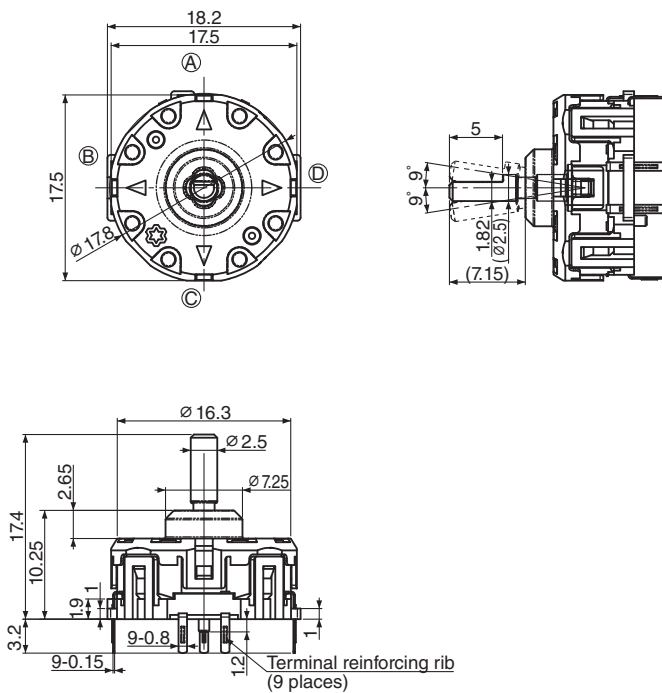
HXW1723



HXW1723-210010



Output signal of the encoder

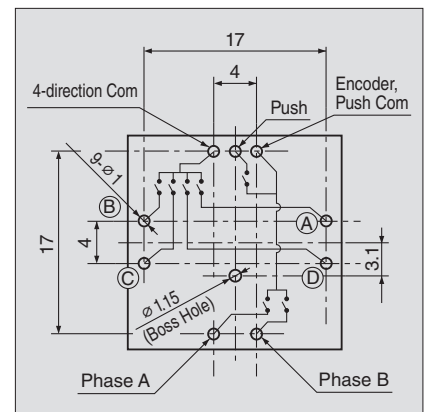


4 Directions + Push

Rated	10mA 5V DC	
Contact Resistance	200m Ω max.	
Push Direction	Operating Force	7.2±1.0N
	Stroke	0.39±0.18mm
4 Directions	Operating Force	3.6±1.0N (1.5mm from tip)
	Operating Range	9° max.
Operating Force	Direction	100,000 cycles
	4-Directions	100,000 cycles

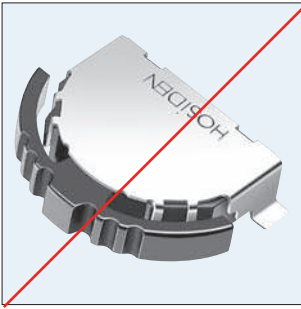
Encoder

Rated	10mA 5V DC
Number of Pulses	14
Number of clicks	28
Torque	11.5±4.5mN · m
Operating Life	(1Cycle : 360° both ways) 15,000 cycles



PCB Layout
(Top View)

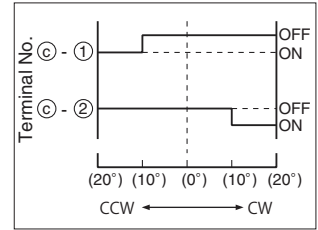
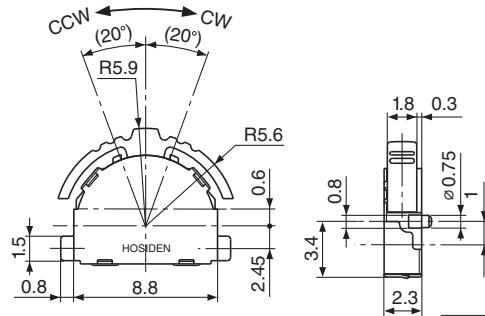
HXW0783



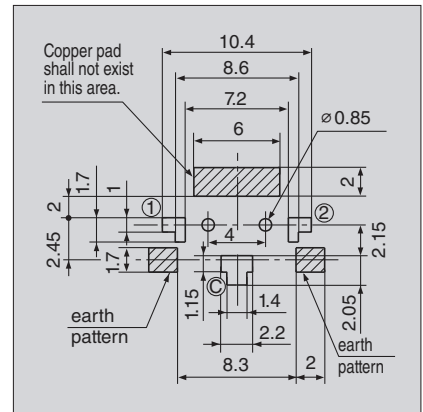
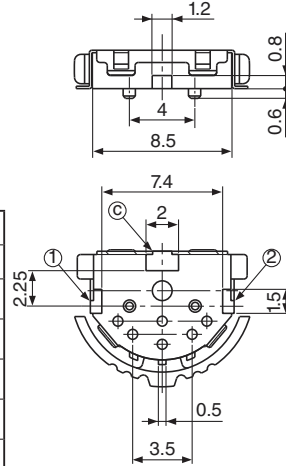
HXW0783-510011

End of Life Products

Rated	10mA 5V DC max. 0.1mA 1V DC min.
Output Voltage	1V max. at 1mA 5V DC
Insulation Resistance	100MΩ min. at 100V DC
Withstanding Voltage	100V AC / 1 minute
Operating Force	0.5 ^{+0.3} _{-0.2} N
Operating Life	200,000 cycles



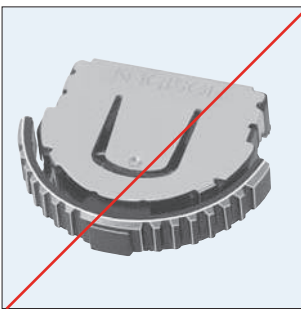
Output Codes



PCB Layout (Top View)

HXW0780 / HXW0785

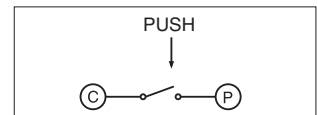
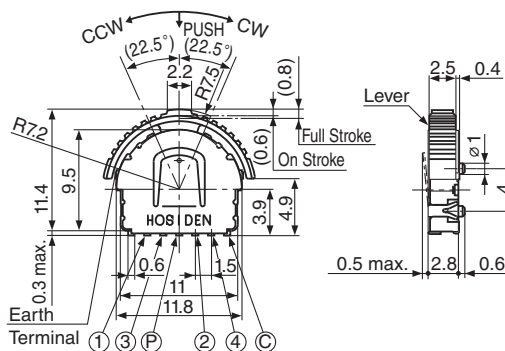
with Push Switch



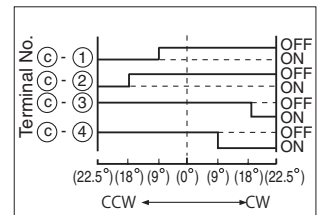
End of Life Products

Rated	10mA 5V DC max. 0.1mA 1V DC min.	
Output Voltage	1V max. at 1mA 5V DC	
Insulation Resistance	100MΩ min. at 100V DC	
Withstanding Voltage	100V AC / 1 minute	
Operating Force	Shuttle Direction	0.65±0.3N
	Push Direction	2±1N
Operating Life	100,000 cycles	

HXW0780



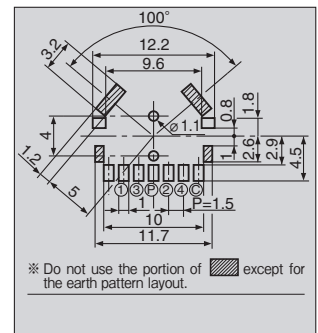
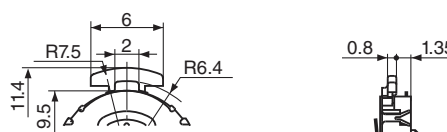
Circuit Diagram Push Direction



Output Codes

HXW0785-010031

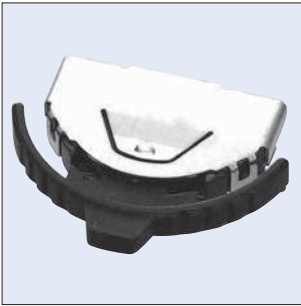
Non-actuator



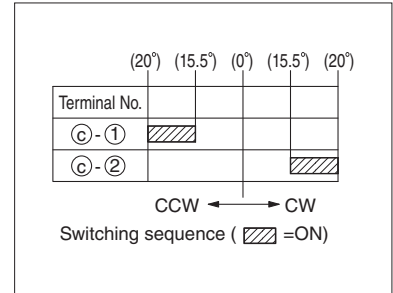
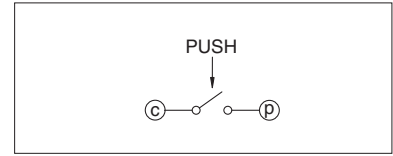
PCB Layout (Top View)

HXW0786

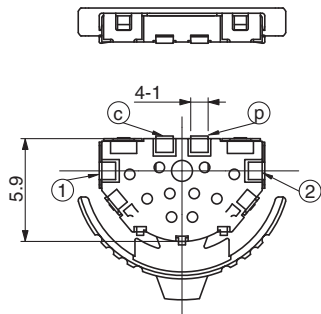
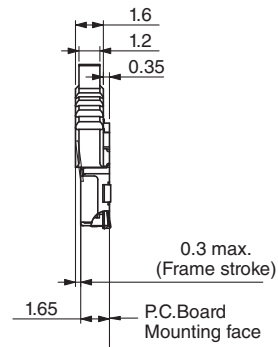
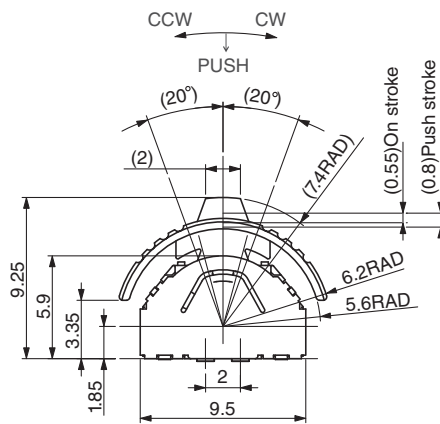
with Push Switch



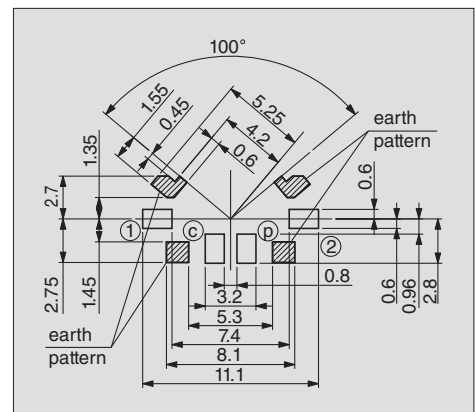
HXW0786-010011



Output Codes

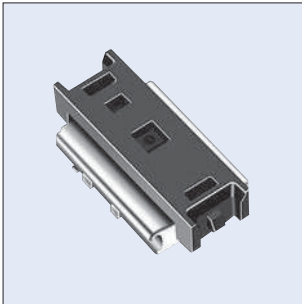


Rated	10mA 5V DC max.	
	0.1mA 1V DC min.	
Output Voltage	1V max. at 1mA 5V DC	
Insulation Resistance	100MΩ min. at 100V DC	
Withstanding Voltage	100V AC / 1 minute	
Operating Force	Shuttle Direction	0.65±0.3N
	Push Direction	2±1N
Operating Life	100,000 cycles	

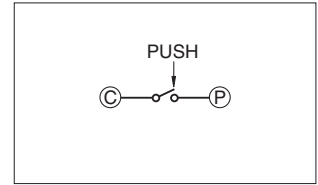
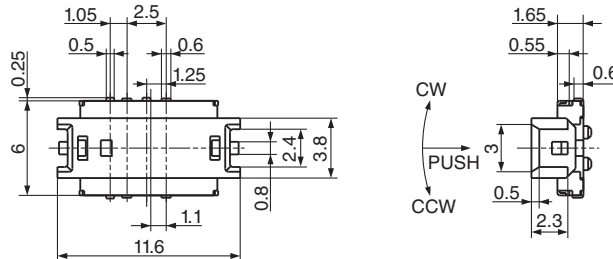


PCB Layout
(Top View)

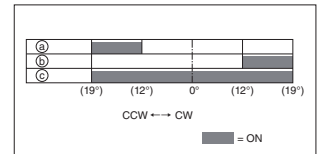
HXW0741



HXW0741-010011

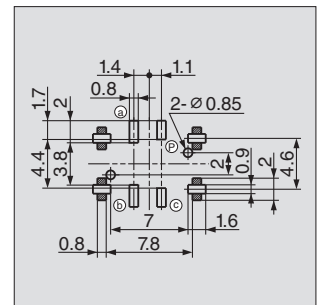


Circuit Diagram



Shuttle Switch Output Codes

Rated		0.1mA 5V DC 5mA 5V DC
Contact Resistance		100mΩ max.
Push Direction	Operating Force	2.6±1N
	Stroke	0.2 ^{+0.15} _{-0.1} mm
	Operating Life	500,000 cycles
Rotary Direction	Operating Force	1±0.4N
	Operating Range	19±3°
	Operating Life	500,000 cycles



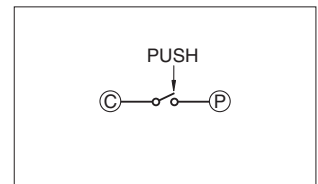
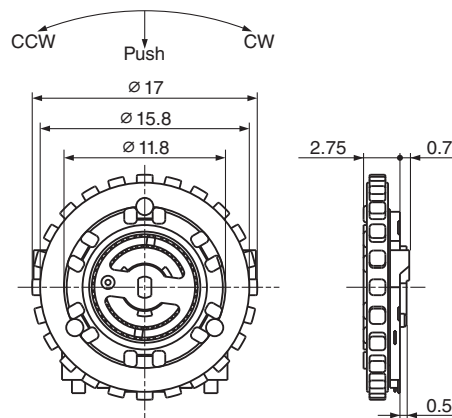
PCB Layout
(Top View)

HXW0735

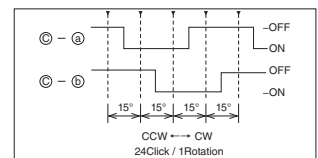
Rotary Switch



HXW0735-210011

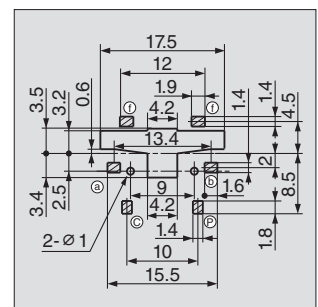


Circuit Diagram



Rotary Switch Output Codes

Rated		1mA 5V DC 5mA 5V DC
Contact Resistance		100Ω max.
Push Direction	Operating Force	3±1.5N
	Stroke	0.5±0.15mm
	Operating Life	100,000 cycles
Rotary Direction	Rotation torque	2 to 8mN·m
	Number of Click	24 click / 1 Rotation
	Operating Life	50,000 cycles



PCB Layout
(Top View)

■ Model No. Table

Model No.	Page				
HKW0 7 3 0	9	HSW0 7 0 0	5	HXW0 7 8 5	20
HKW0 7 3 1	10	HSW2 0 6 0	4	HXW0 7 8 6	21
HKW0 7 6 3	7	HSW2 0 6 1	5	HXW0 8 0 1	17
HKW0 7 6 6	7	HSW4 5 1 2	4	HXW0 8 0 5	18
HKW0 7 7 3	8	HXW0 7 3 5	22	HXW0 8 4 0	11
HKW0 8 2 0	9	HXW0 7 4 1	22	HXW1 7 2 3	19
HKW1 1 1 6	14	HXW0 7 6 7	16	HXW1 7 7 4	11
HKW1 5 4 0	15	HXW0 7 8 0	20		
HKW1 7 7 3	8	HXW0 7 8 3	20		



<http://www.hosiden.com>

Head Office

4-33, Kitakyuhoji 1-chome, Yao-city, Osaka 581-0071, Japan
Phone : +81-72-993-1010 Fax : +81-72-994-5101

Japan

Overseas Division :

4-33, Kitakyuhoji 1-chome, Yao-city, Osaka 581-0071, Japan
Phone : +81-72-993-1010 Fax : +81-72-924-8937

China

Hosiden Electronics(Shanghai) Co., Ltd.

Room 802, Kirin Plaza, No.666 Gu Bei Road, Changning District, Shanghai P.R.China
Phone : +86-21-5208-1488 Fax : +86-21-5208-1480

Hosiden (Shenzhen) Co., Ltd.

Room2716, Changping Commercial Building, 99 Honghua Road,
Futian Free Trade Zone, Shenzhen, China
Phone : +86-755-8348-0952 Fax : +86-755-8359-7722

Hong Kong

Hong Kong Hosiden Ltd.

Units 1101-02, 11/F., Stelux House, 698 Prince Edward Road East, San Po Kong, Kowloon, Hong Kong
Phone : +852-23238181 Fax : +852-23520425

Taiwan

Taiwan Hosiden Co., Ltd.

7F., No.237, Songjiang Road., Zhongshan Dist., Taipei City 104, Taiwan
Phone : +886-2-2503-5611 Fax : +886-2-2517-8573

Singapore

Hosiden Singapore Pte. Ltd.

28, Genting, Lane, #04-07, Platinum 28, Singapore 349585
Phone : +65-6296-8100 Fax : +65-6296-8200

Malaysia

Hosiden Corporation(M)Sdn. Bhd.

Lot1, Jalan P/1A, Bangi, Industrial Estate, 43650
Bander Baru Bangi, Selangor Darul Ehsan, Malaysia
Phone : +60-3-8925-8655 Fax : +60-3-8926-6122

Thailand

Hosiden (Thailand) Co., Ltd.

889 THAI CC TOWER, 21 Floor, Room 212, South Sathorn Road.,
Kwaeng Yannawa, Khet Sathorn, Bangkok 10120, Thailand
Phone : +66-2-673-9760, 9761 Fax : +66-2-673-9762

Germany

Hosiden Europe GmbH

Head Office

Graf-Recke-Straße 82, 40239 Düsseldorf, Germany
Phone : +49-211-96493-0 Fax : +49-211-96493-90

France

Branch office Paris

13, rue Camille Desmoulins 92441 Issy Les Moulineaux, France
Phone : +33-1-5804-2484 Fax : +33-1-5804-2300

U.K.

Hosiden Besson Ltd.

12 St. Joseph's Trading Estate St. Joseph's Close, Hove, East Sussex,
BN3 7EZ, United Kingdom
Phone : +44-1273-860000 Fax : +44-1273-777501

U.S.A.

Hosiden America Corp.

Head Office

120 East State Parkway, Schaumburg, IL, 60173, U.S.A.
Phone : +1-847-885-8870 Fax : +1-847-885-0063

San Jose Sales Office

550 South Winchester Boulevard, Suite 320, San Jose, CA 95128, U.S.A.
Phone : +1-408-985-8780 Fax : +1-408-985-8785

Detroit Sales Office

28970 Cabot Drive, Suite 600, Novi, MI 48377, U.S.A.
Phone : +1-248-489-0174 Fax : +1-248-489-1154

- The contents described in this catalog may be changed without prior notice due to products improvements or discontinuance of production.
- Every product in this catalog is compliant to RoHS directive.

⚠ CAUTION FOR SAFETY

Please use our products properly based on our
Drawing and Specification.