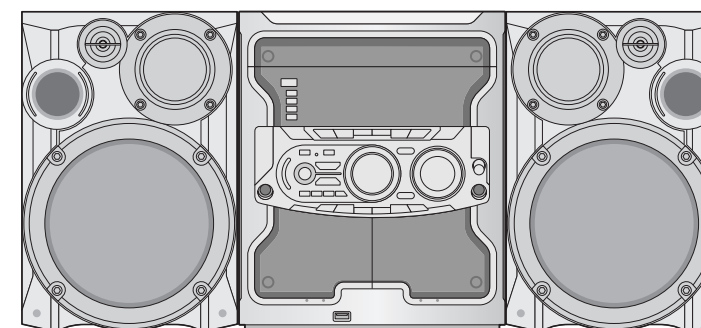




SERVICE MANUAL MODEL: LM-U1350A, LM-U1350D, LM-U1350X, LMS-U1350

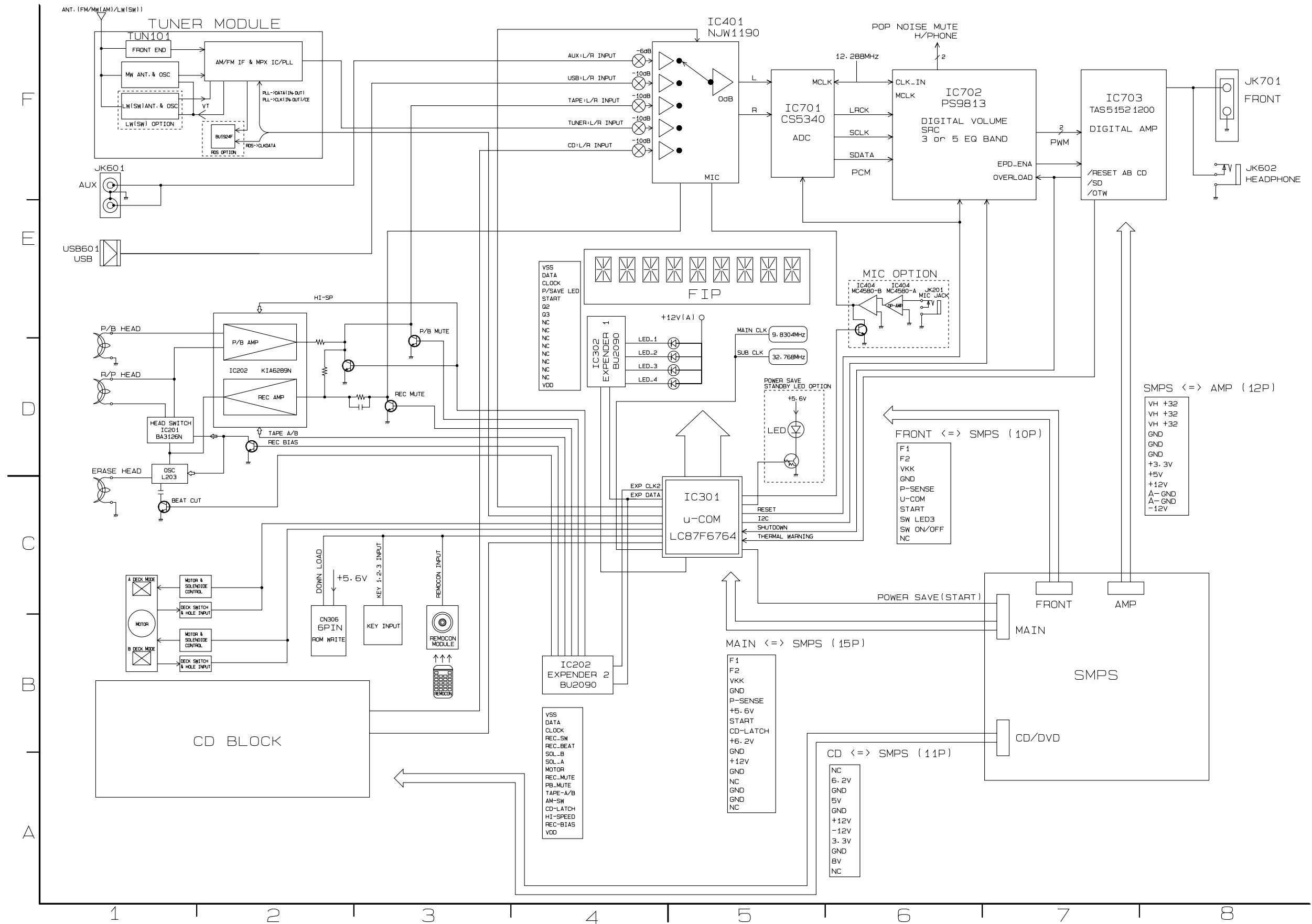


3CD CHANGER DVD KARAOKE SYSTEM **SERVICE MANUAL**



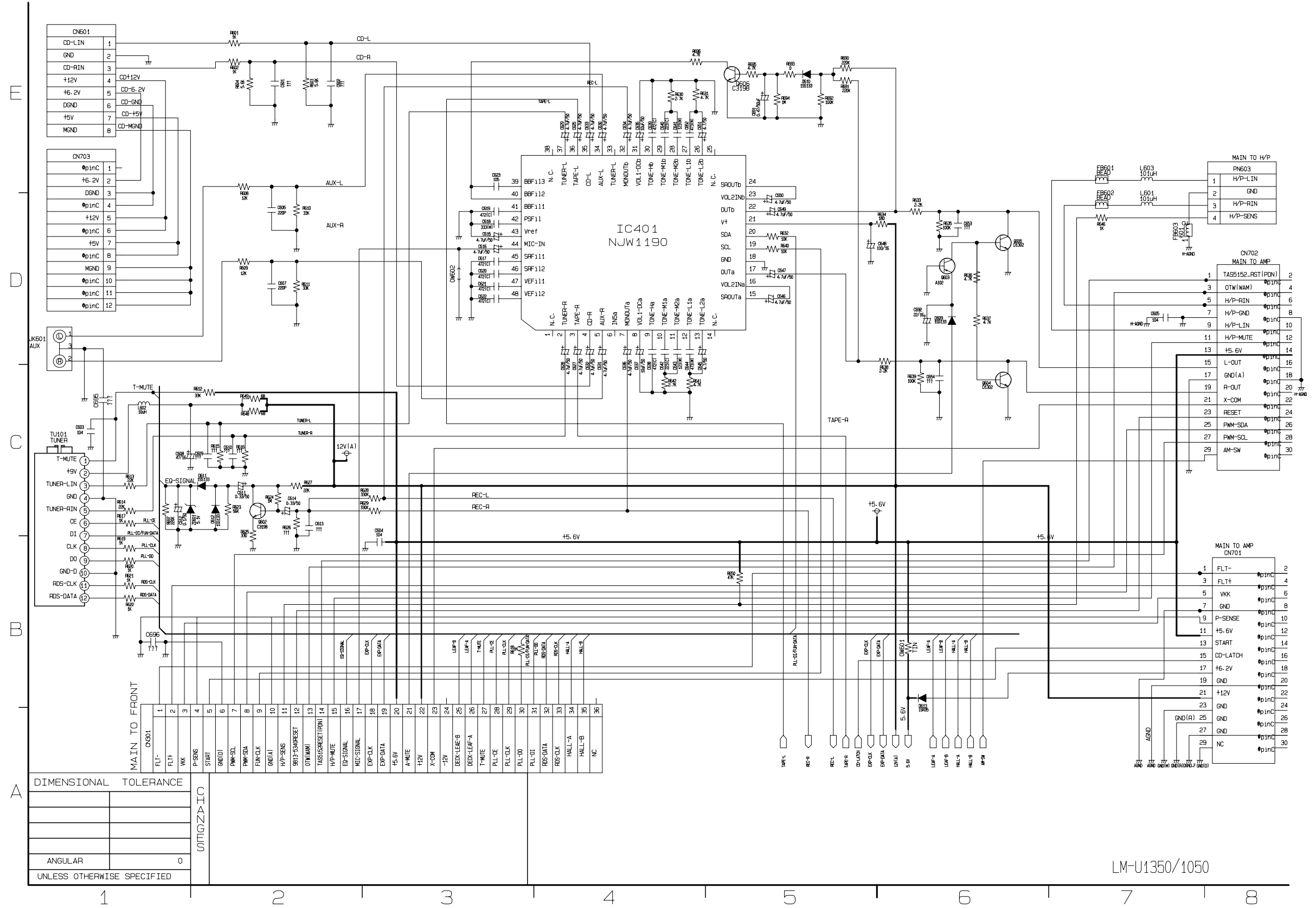
MODEL: LM-U1350A, LM-U1350D, LM-U1350X, LMS-U1350

□ BLOCK DIAGRAM

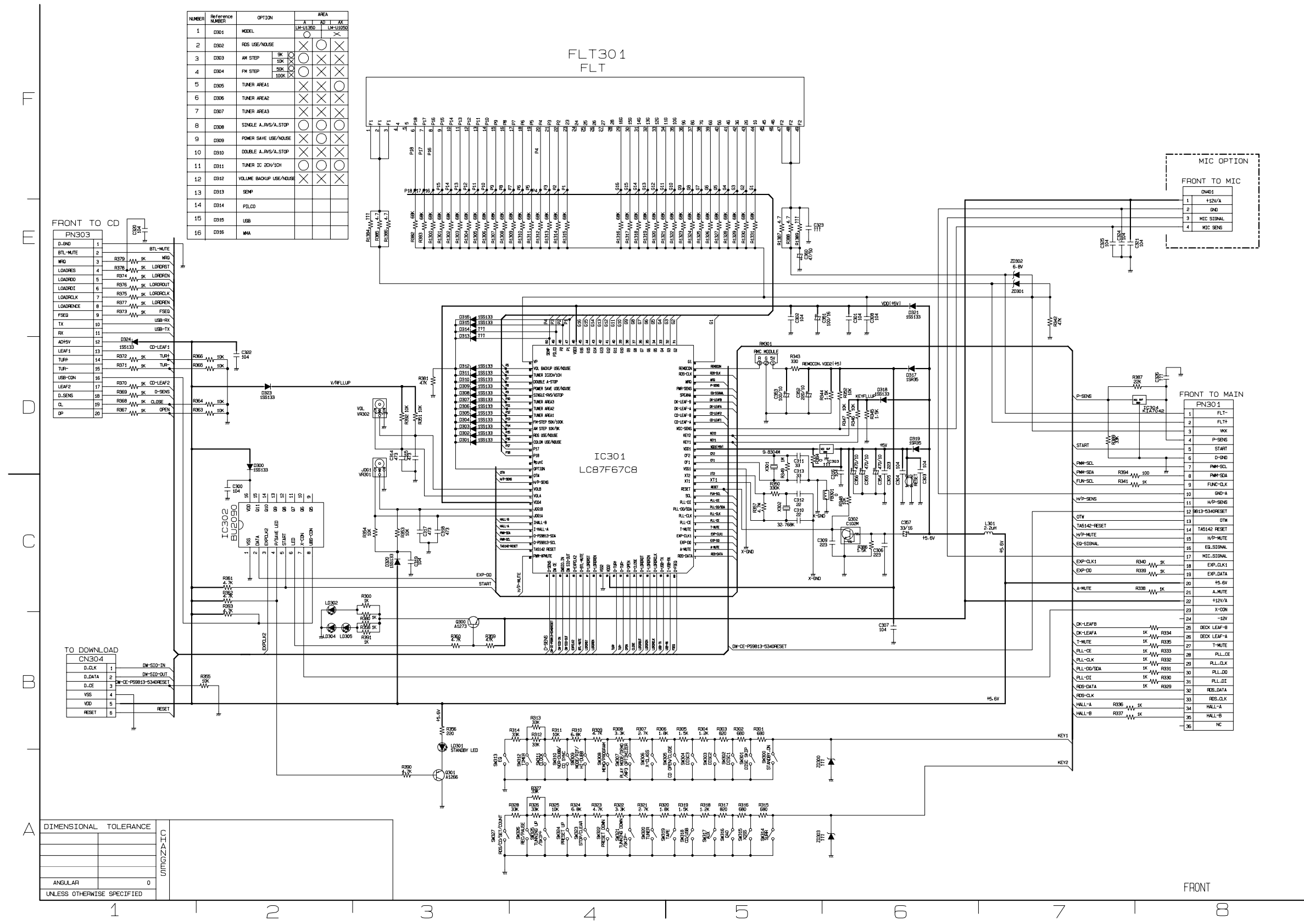


SCHEMATIC DIAGRAMS

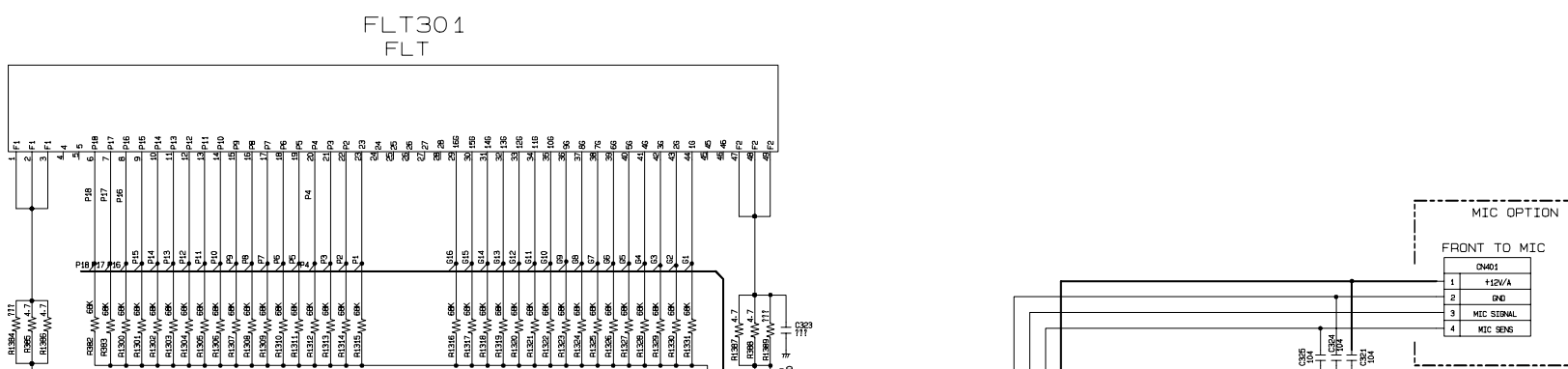
MAIN SCHEMATIC DIAGRAM



• FRONT SCHEMATIC DIAGRAM



NUMBER	Reference NUMBER	OPTION	AREA		
			A	AD	AX
1	D301	MODEL	LM-U1950	LM-U12000	
2	D302	RDS USE/NOISE			
3	D303	AM STEP	OK		
4	D304	FM STEP	OK		
5	D305	TUNER AREA1			
6	D306	TUNER AREA2			
7	D307	TUNER AREA3			
8	D308	SINGLE A.R/S/A.STOP			
9	D309	POWER SAVE USE/NOISE			
10	D310	DOUBLE A.R/S/A.STOP			
11	D311	TUNER IC 2CH/1CH			
12	D312	VOLUME BACKUP USE/NOISE			
13	D313	SEMP			
14	D314	PILCO			
15	D315	USB			
16	D316	MMA			



FRONT TO CD

PN303	Signal	Value
1	D.GND	
2	BTL-MUTE	
3	MRD	R379 10K
4	LOADRES	R378 10K
5	LOADRDS	R374 10K
6	LOADRDI	R376 10K
7	LOADRLK	R375 10K
8	LOADRENCE	R377 10K
9	FREQ	R373 10K
10	USB-IR	
11	USB-TX	
12	ADHSV	
13	LEAF1	R372 10K
14	TURH	R371 10K
15	TURF	
16	USB-CON	
17	LEAF2	R370 10K
18	D.SENS	R369 10K
19	CL	R368 10K
20	OP	R367 10K

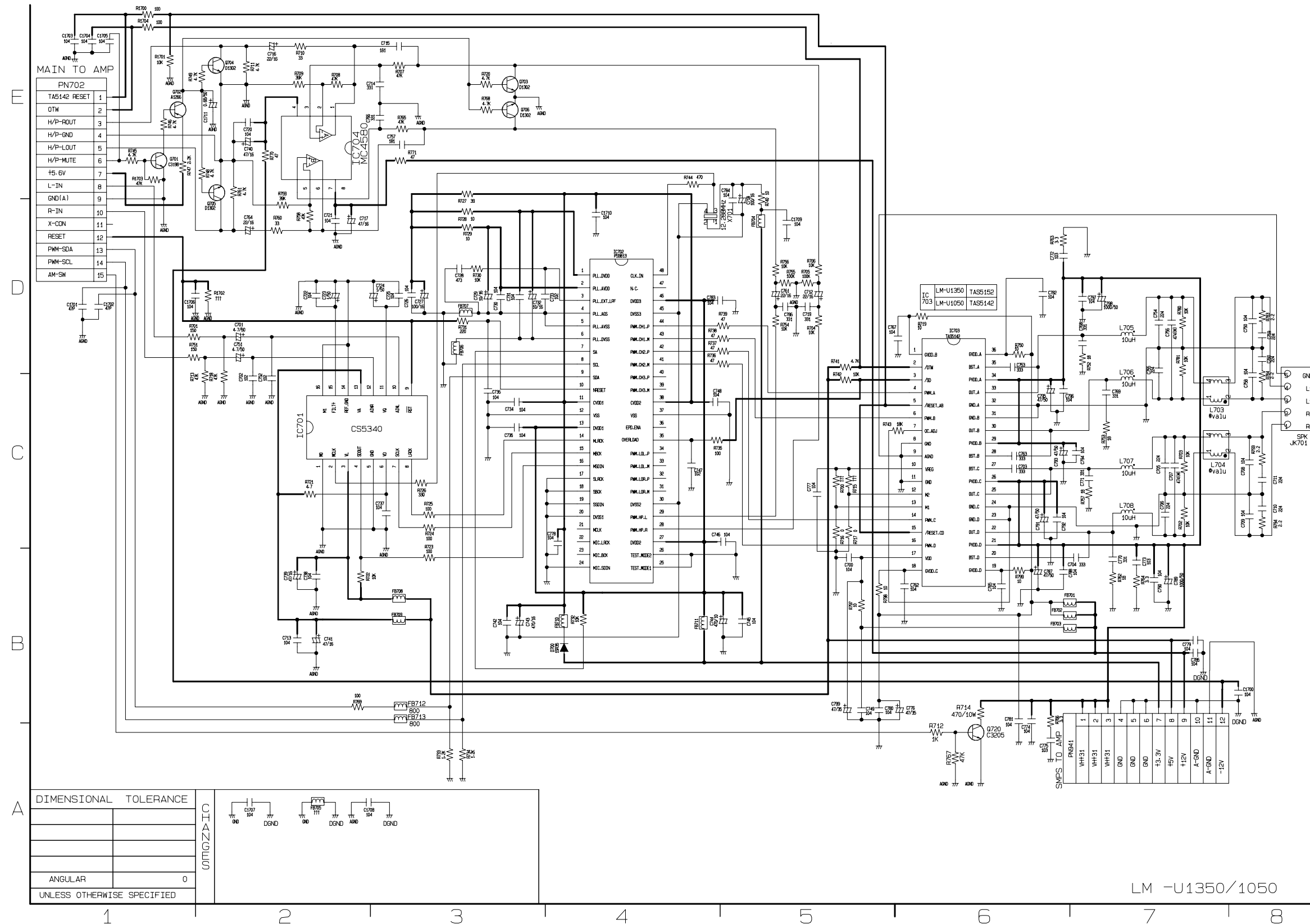
TO DOWNLOAD

CN304	Signal	Value
1	D.CLK	
2	D.DATA	
3	D.CE	
4	VSS	
5	VDD	
6	RESET	

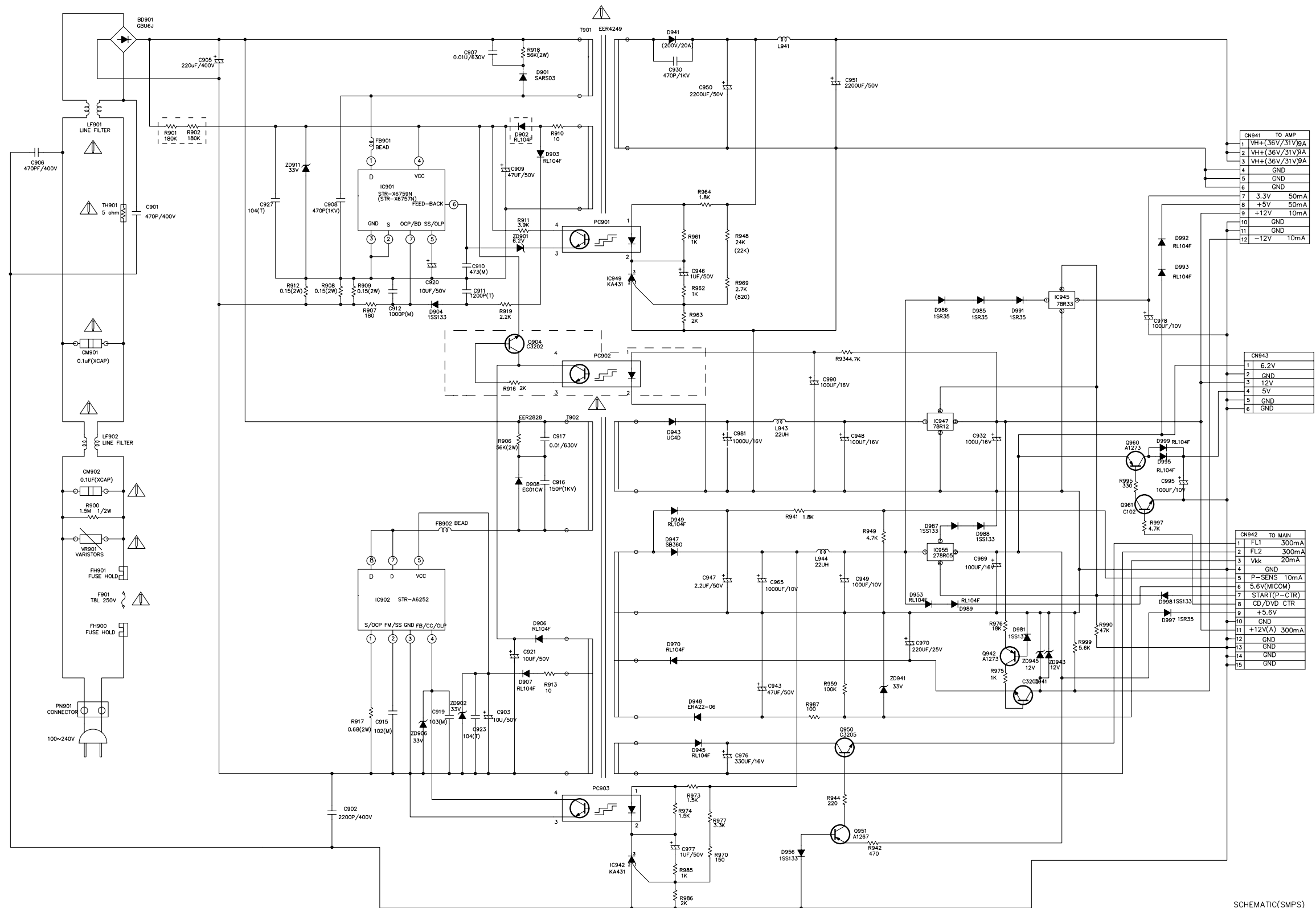
DIMENSIONAL TOLERANCE

UNIT	TOLERANCE
ANGULAR	0
UNLESS OTHERWISE SPECIFIED	

• AMP SCHEMATIC DIAGRAM



• POWER SCHEMATIC DIAGRAM

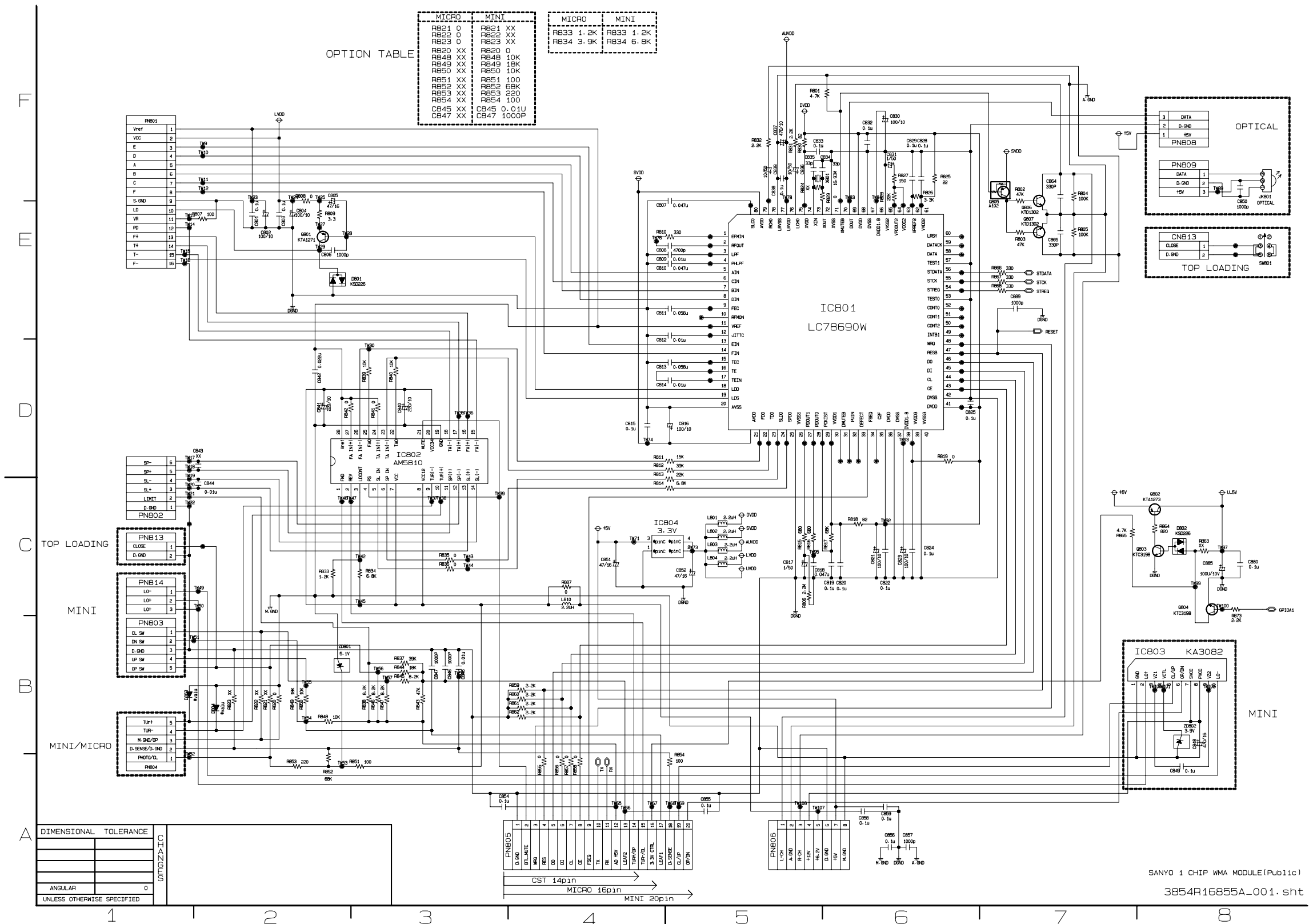


CN941 TO AMP	
1	VH+(36V/31V)9A
2	VH+(36V/31V)9A
3	VH+(36V/31V)9A
4	GND
5	GND
6	GND
7	3.3V 50mA
8	+5V 50mA
9	+12V 10mA
10	GND
11	GND
12	-12V 10mA

CN943	
1	6.2V
2	GND
3	12V
4	5V
5	GND
6	GND

CN942 TO MAIN	
1	FL1 300mA
2	FL2 300mA
3	Vkk 20mA
4	GND
5	P-SENS 10mA
6	5.6V(MICOM)
7	START(P-CTR)
8	CD/DVD CTR
9	+5.6V
10	GND
11	+12V(A) 300mA
12	GND
13	GND
14	GND
15	GND

• CDP SCHEMATIC DIAGRAM



OPTION TABLE

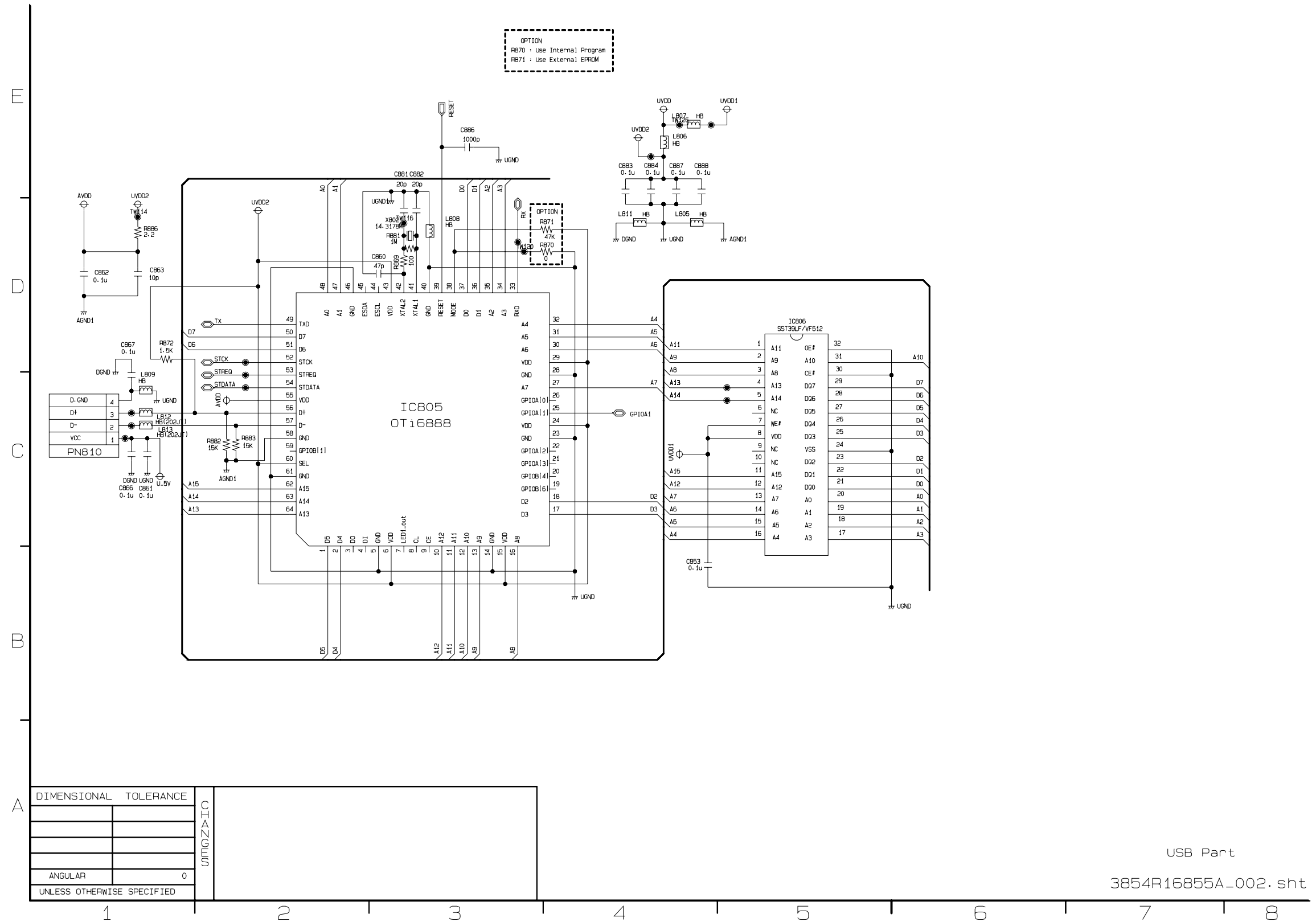
MICRO		MINI	
RB21	0	RB21	XX
RB22	0	RB22	XX
RB23	0	RB23	XX
RB20	XX	RB20	0
RB48	XX	RB48	10K
RB49	XX	RB49	18K
RB50	XX	RB50	10K
RB51	XX	RB51	100
RB52	XX	RB52	58K
RB53	XX	RB53	200
RB54	XX	RB54	100
CB45	XX	CB45	0.01u
CB47	XX	CB47	1000P

DIMENSIONAL TOLERANCE	
ANGULAR	0
UNLESS OTHERWISE SPECIFIED	

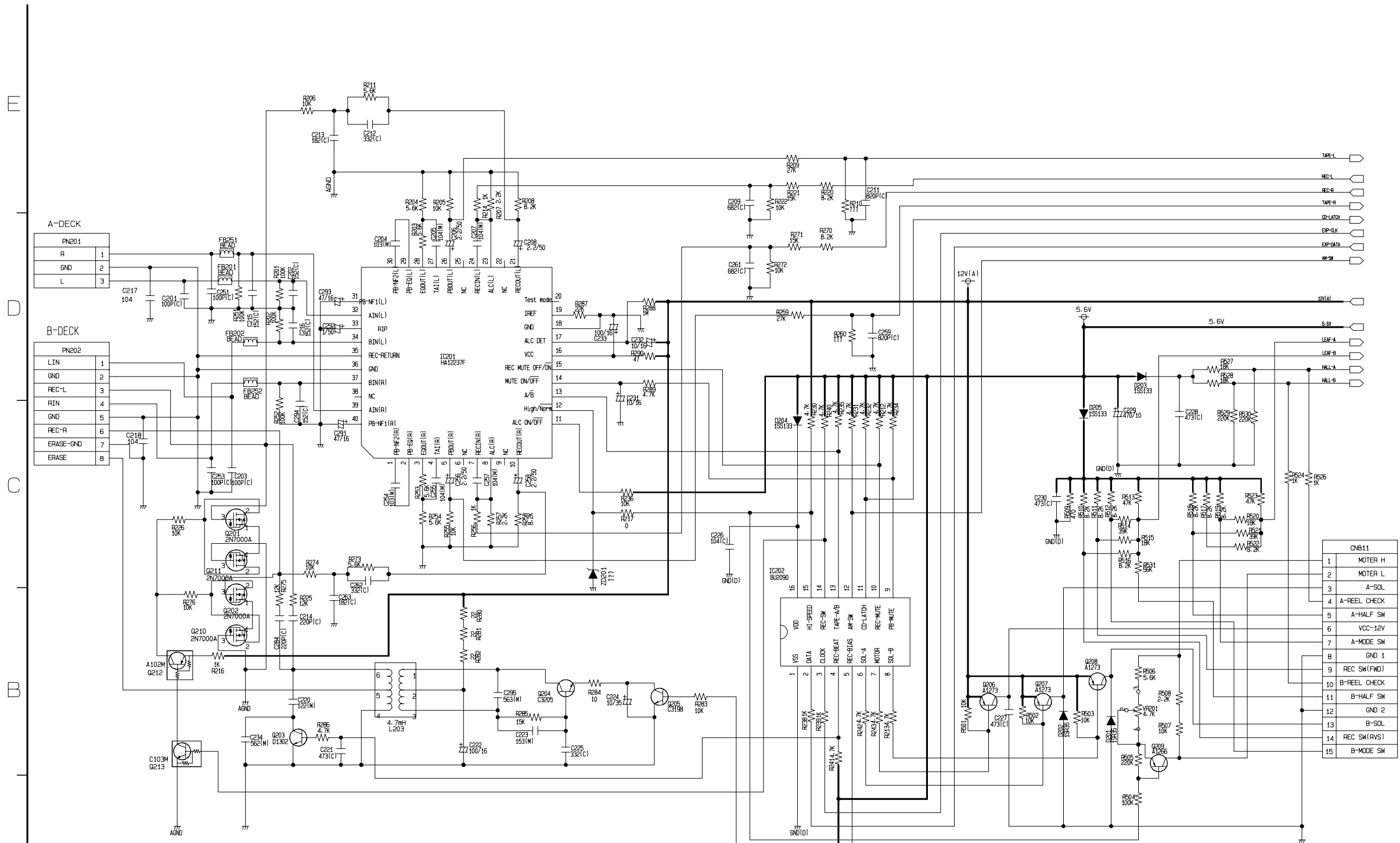
UNITS	
CST	14pin
MICRO	16pin
MINI	20pin

SANYO 1 CHIP WMA MODULE(Pub11c)
3854R16855A-001.sht

• USB SCHEMATIC DIAGRAM



• DECK SCHEMATIC DIAGRAM



CN811	
1	MOTOR H
2	MOTOR L
3	A-SOL
4	A-REEL CHECK
5	A-HALF SW
6	VCC-12V
7	A-MODE SW
8	GND 1
9	REC SW (FWD)
10	B-REEL CHECK
11	B-HALF SW
12	GND 2
13	B-SOL
14	REC SW (RVS)
15	B-MODE SW

DIMENSIONAL TOLERANCE		LOCATION NUMBER		SINGLE AUTOSTOP	SINGLE AUTO REVERSE
		R225, R275		47K	12K
		C220		182 (M)	122 (M)
		C234		682 (M)	562 (M)
ANGULAR	0	Q203		KTC3192	KTC3198
UNLESS OTHERWISE SPECIFIED		C221		X	473 (C)

DECK
2005.01.31
LM-U1350

• MIC SCHEMATIC DIAGRAM

