

Schaltbild • Circuit diagram

MPA 4

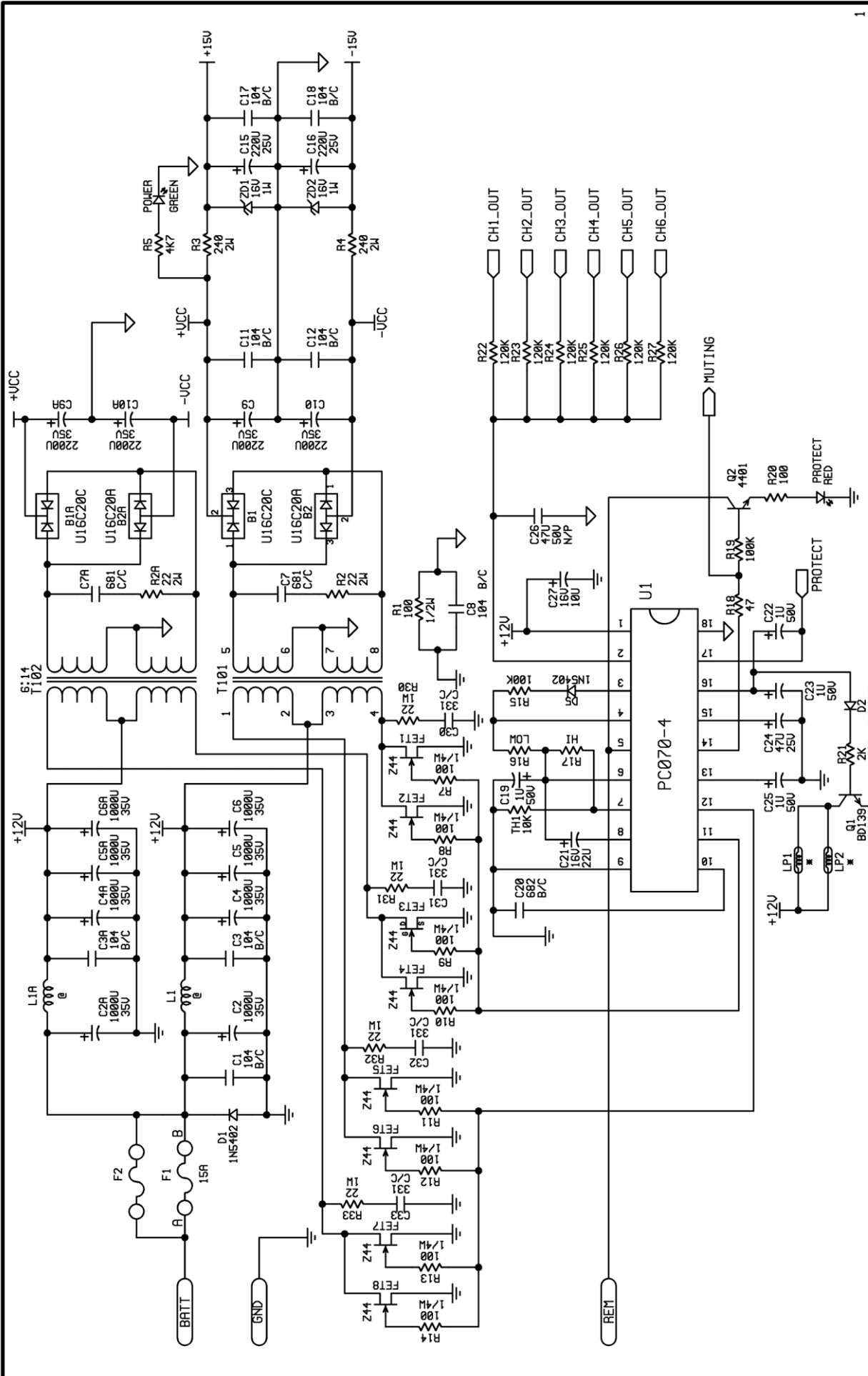
7 607 792 015



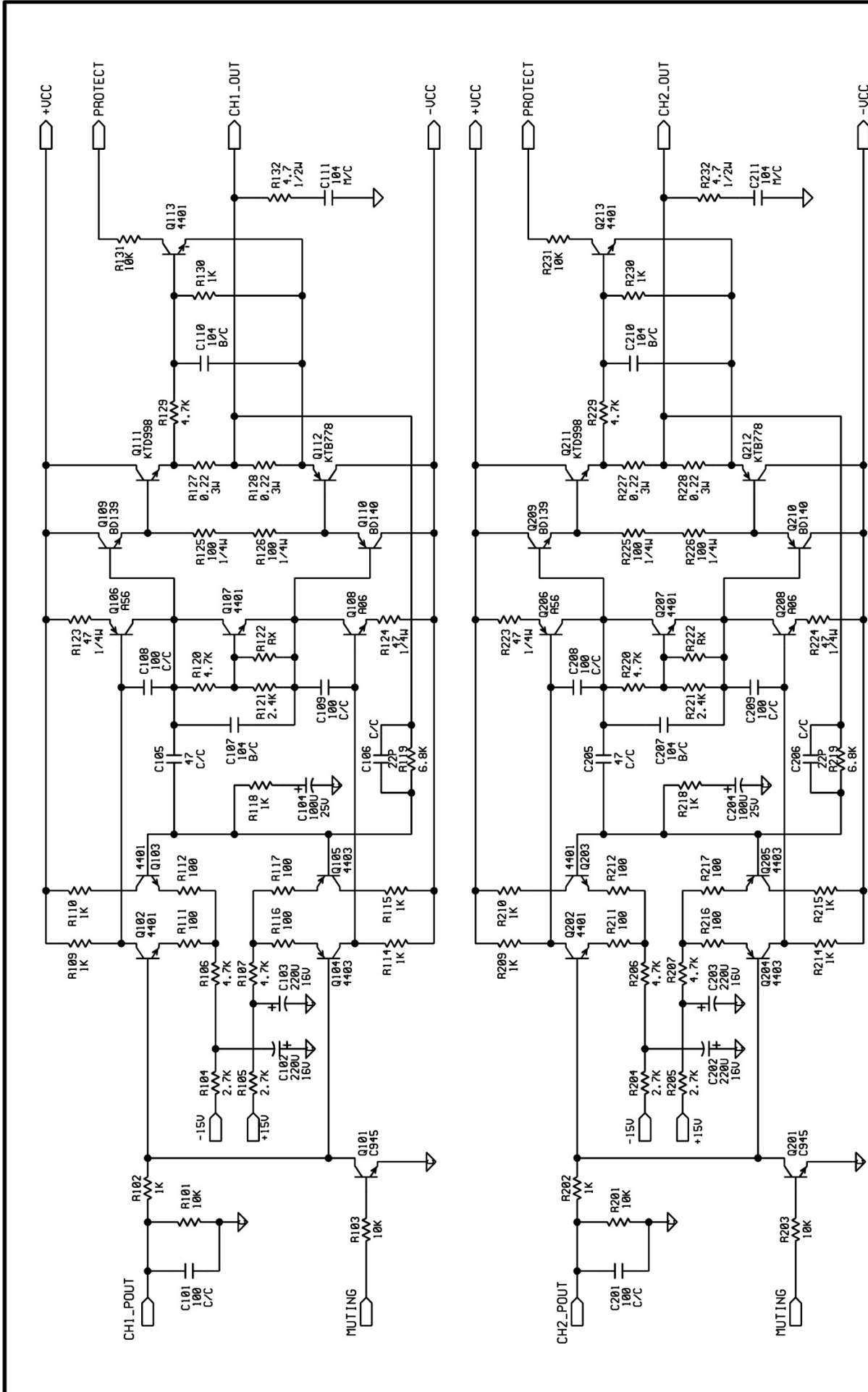
MPA 5

7 607 792 016

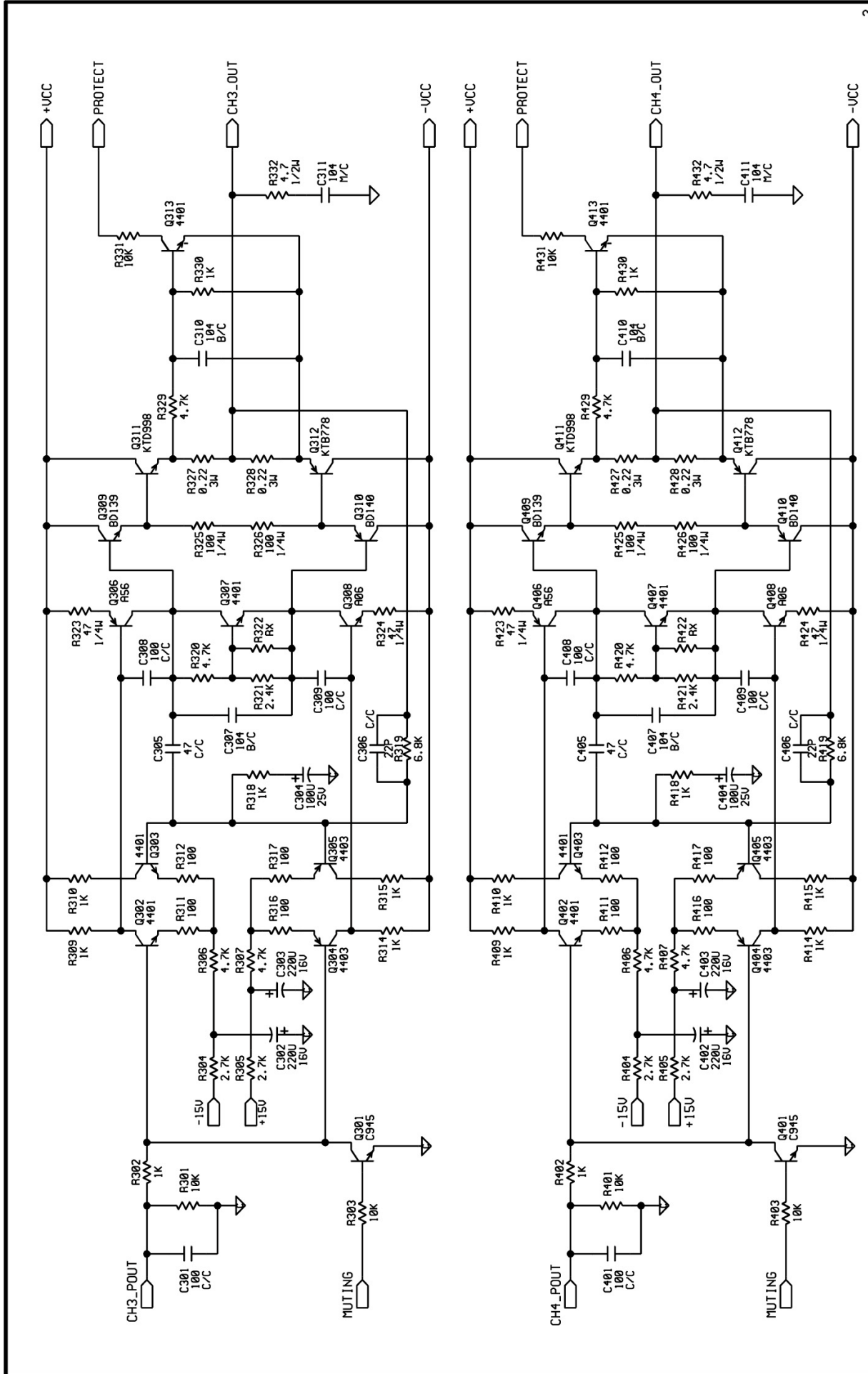




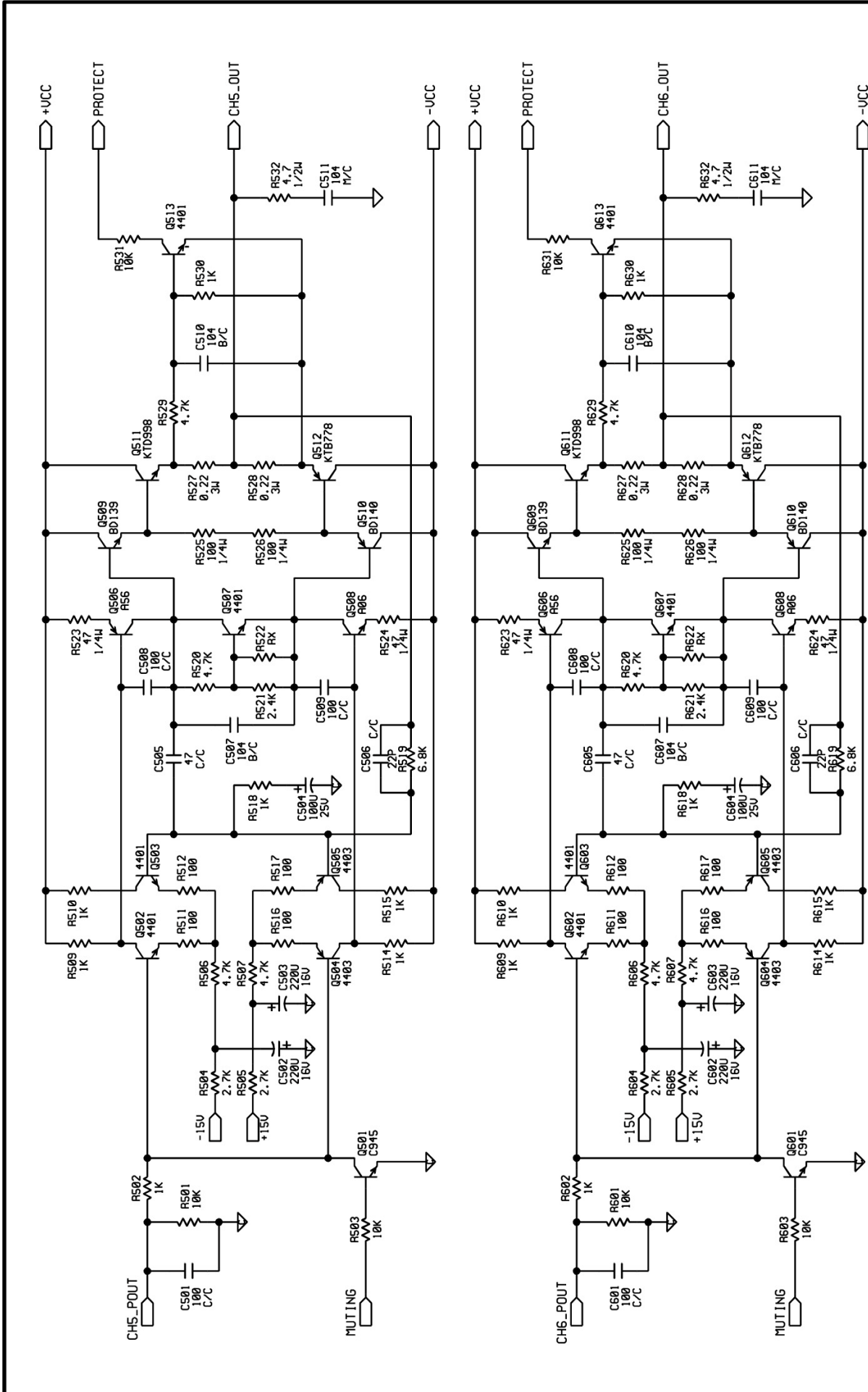
DATE: SEP. 03. 1999	REV. C	SHEET	1 OF 6
DRAWN BY	CHECKED BY	APPROVED BY	MODEL NO
			MPA5&6
			DESCRIPTION
			6X50W
			DRAWING NO
			100SC_1



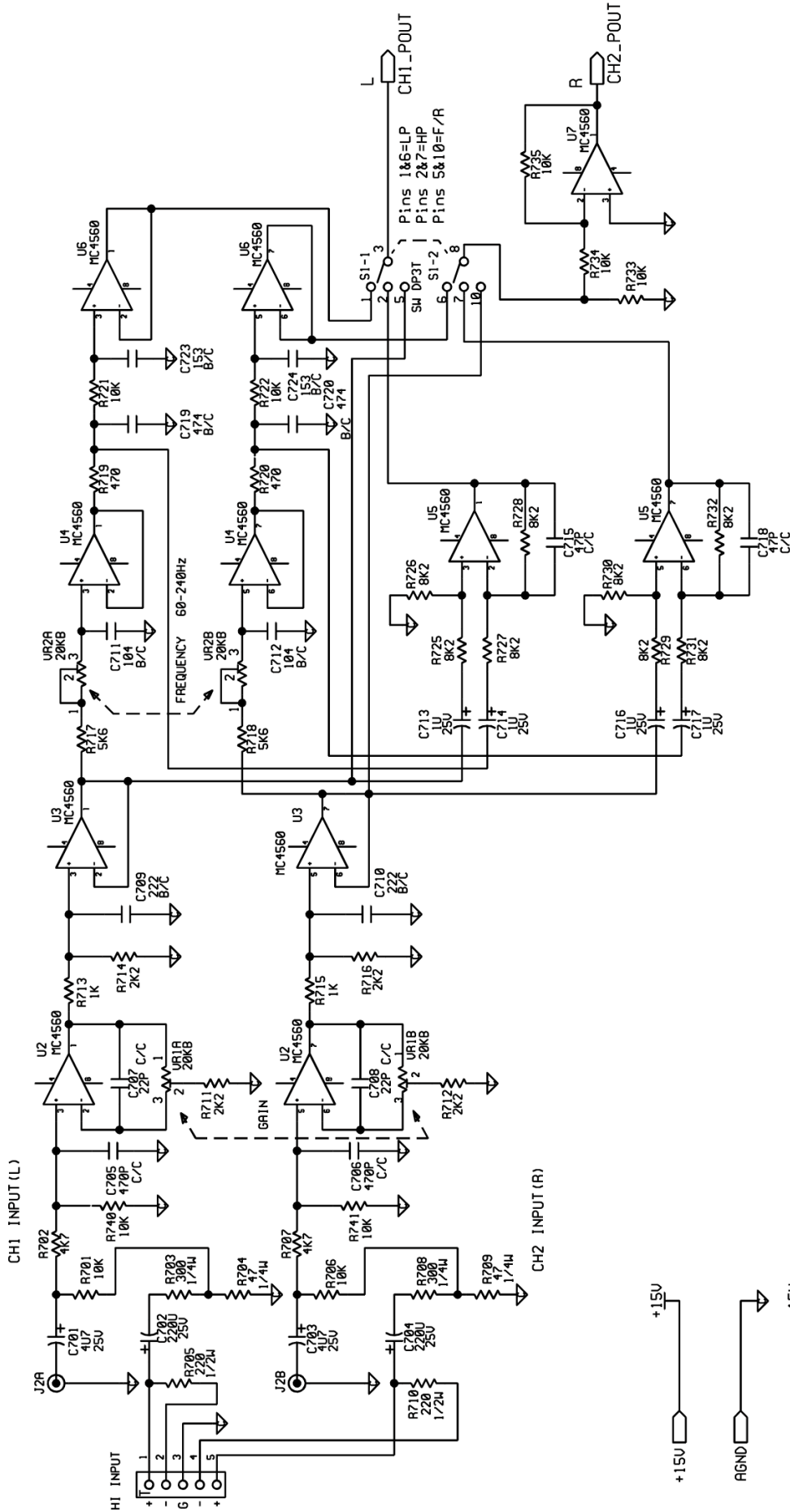
DATE: SEP. 03. 1999		REV. C	SHEET	2 OF 6
DRAWN BY	CHECKED BY	APPROVED BY	MODEL NO	MPA5&6
			DESCRIPTION	6X50W
			DRAWING NO	1006C_2



DATE: SEP.03.199	REV. C	SHEET	3 OF 6
DRAWN BY	CHECKED BY	APPROVED BY	MPAS&G
			DESCRIPTION
			6X50W
			DRAWING NO
			1006C_3

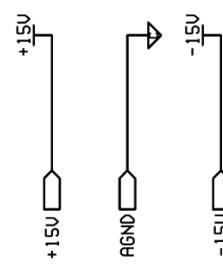


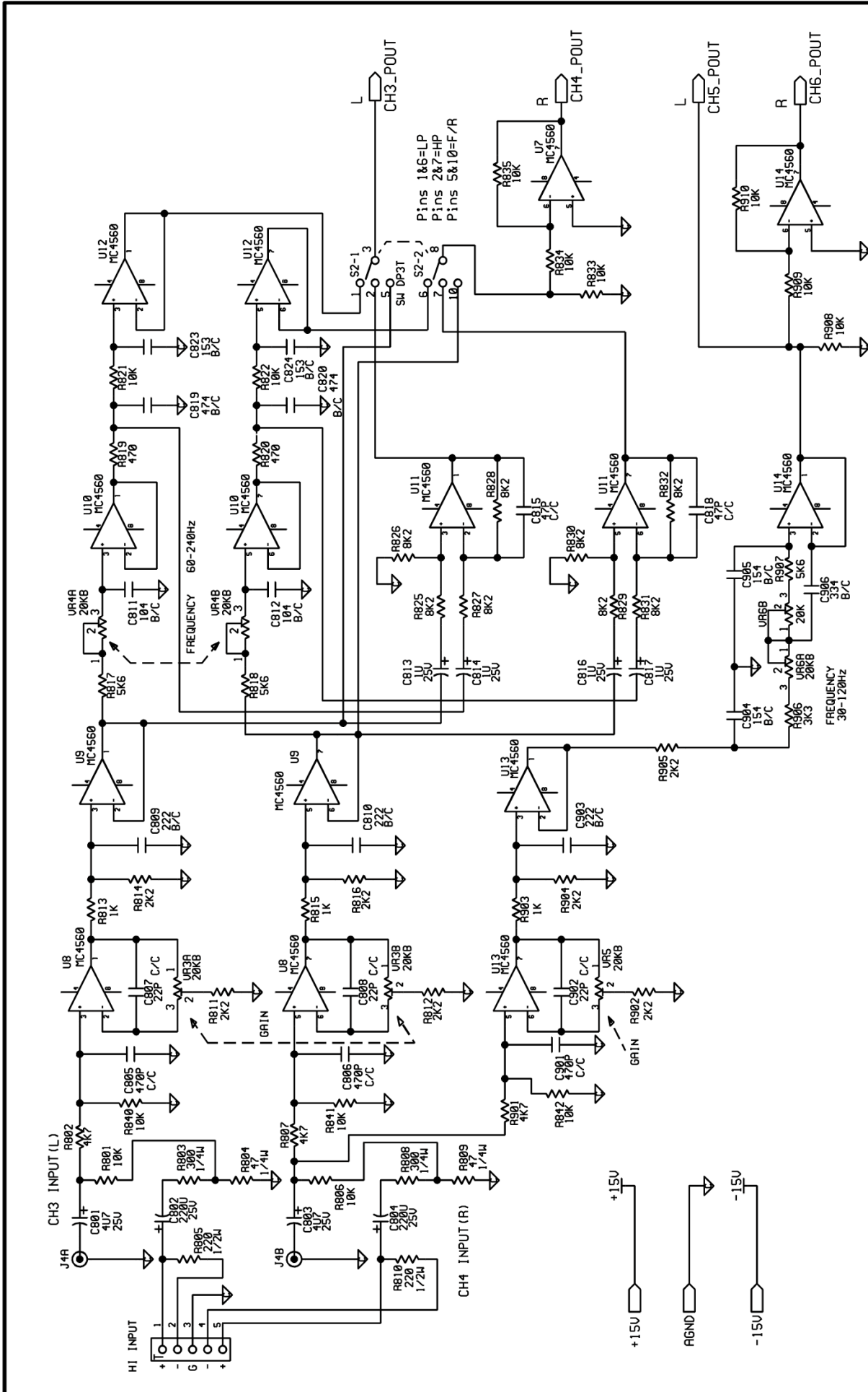
DATE: SEP. 03. 1999	REV. C	SHEET	4 OF 6
DRAWN BY	CHECKED BY	APPROVED BY	MPAS&G
		MODEL NO	6X50W
		DESCRIPTION	1006C_4



DATE: SEP. 03. 1999	REV. C	SHEET	5 OF 6
DRAWN BY	CHECKED BY	APPROVED BY	MODEL NO
			DESCRIPTION
			DRAWING NO

U2, U3, U4, U5, U6, U7 (PIN4 TO -15V, PIN8 TO +15V)





DATE: SEP. 03. 1999		REV. C	SHEET	6 OF 6
CHECKED BY		APPROVED BY	MODEL NO	MPA5&6
DRAWN BY			DESCRIPTION	6X50W
			DRAWING NO	1006C_6

U7-U14 (PIN4 TO -15V, PIN8 TO +15V)

Blaupunkt GmbH, Hildesheim

Änderungen vorbehalten! Nachdruck - auch auszugsweise
nur mit Quellenangabe gestattet.
Modification réservées! Reproduction - aussi en
abrégépermise seulement avec indication des sources utilisées.

Gedruckt in Deutschland
Printed in Germany

Modification reserved! Reproduction - also by extract only
permitted with indication of sources used.
¡Modificaciones reservadas! Reproducción - también en parte
solamente permitida con indicación de las fuentes utilizadas.