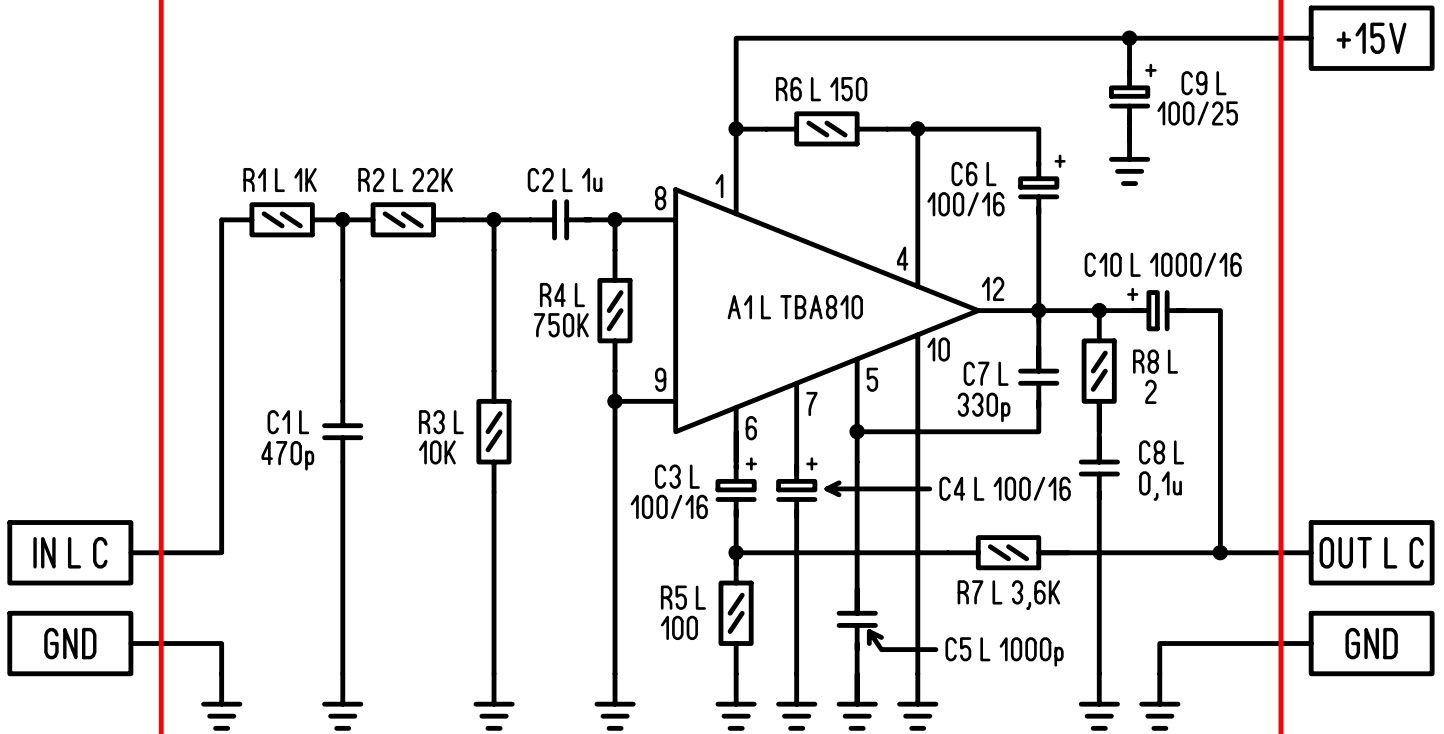


Power amplifier board

Left channel



Right channel

