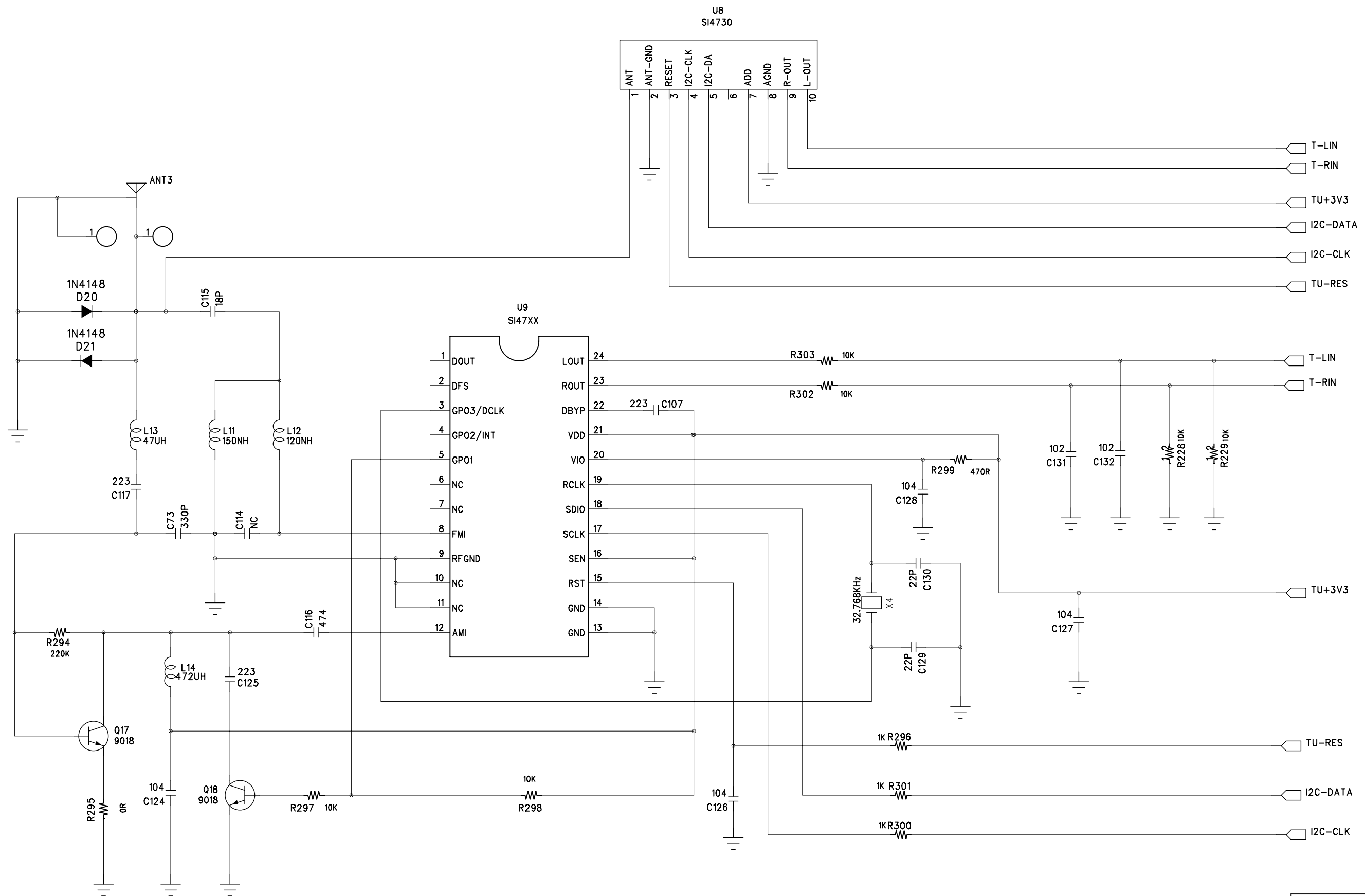
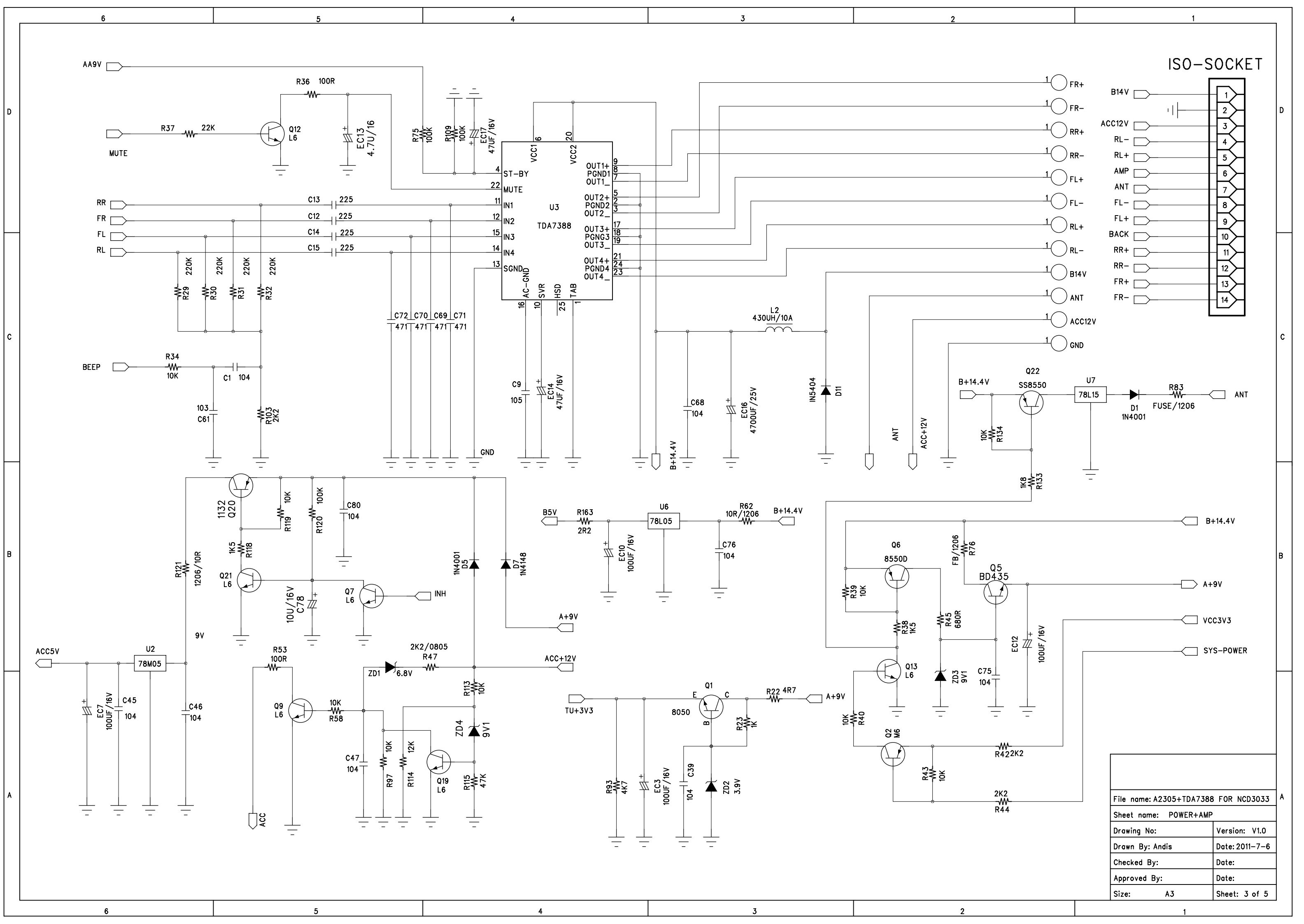


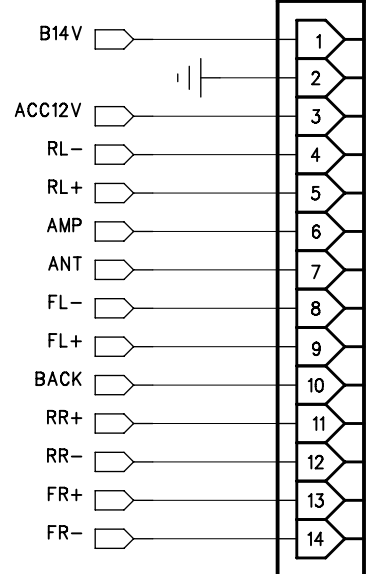
File name: A2305+TDA7388 FOR NCD3033	
Sheet name: DECODE+SPI.FLASH	
Drawing No:	Version: V1.0
Drawn By: Andis	Date: 2011-7-6
Checked By:	Date:
Approved By:	Date:
Size: A3	Sheet: 1 of 5



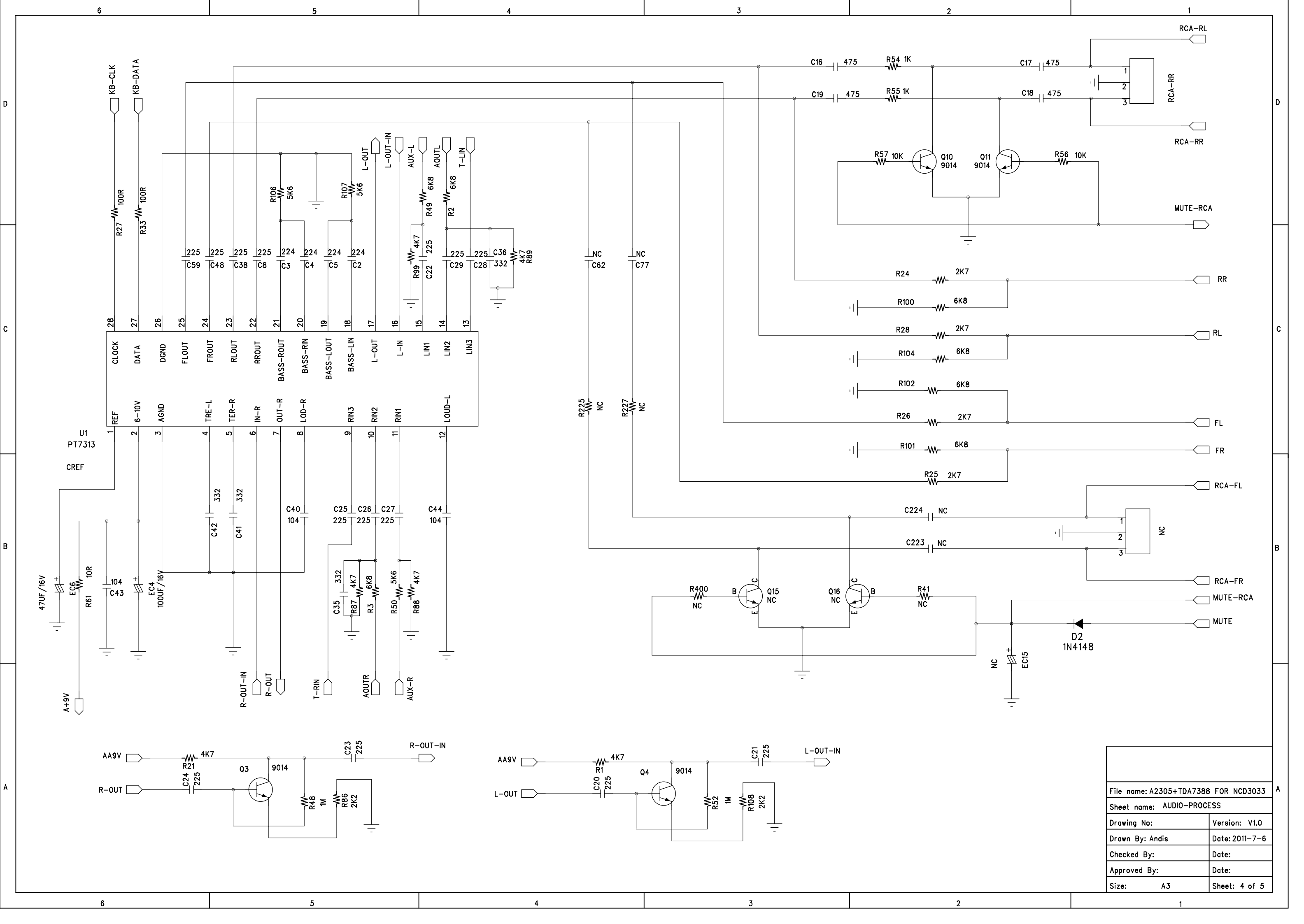
File name: A2305+TDA7388 FOR NCD3033	
Sheet name: RADIO	
Drawing No:	Version: V1.0
Drawn By: Andis	Date: 2011-7-6
Checked By:	Date:
Approved By:	Date:
Size: A3	Sheet: 2 of 5



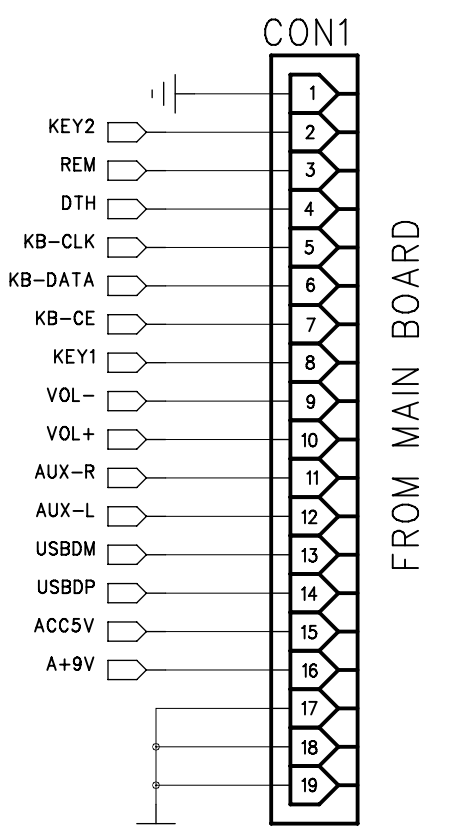
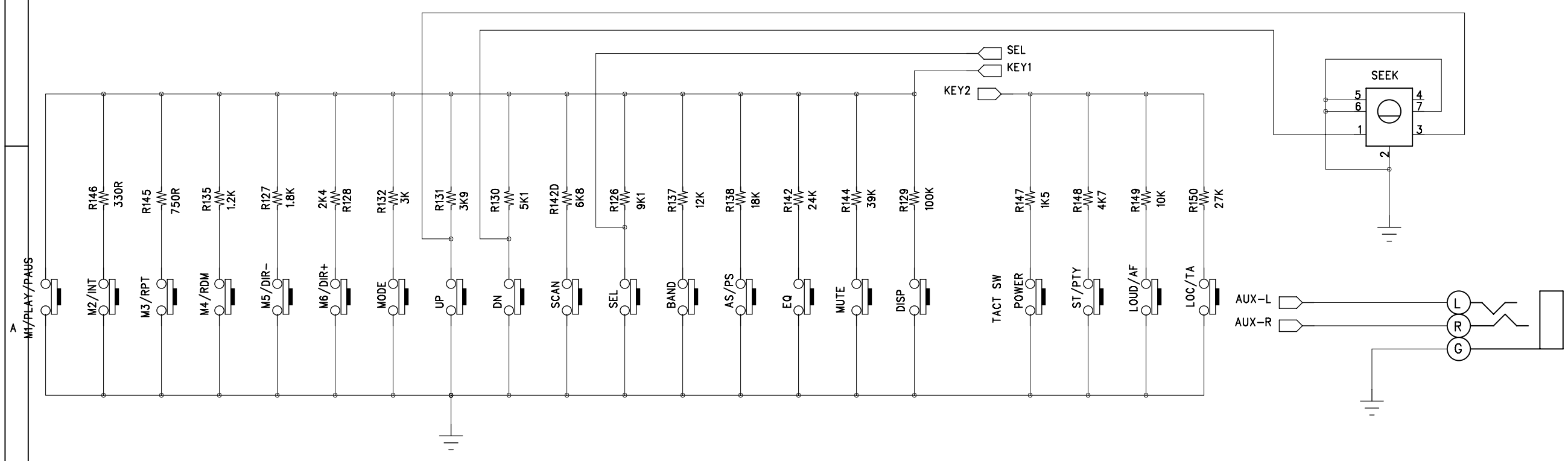
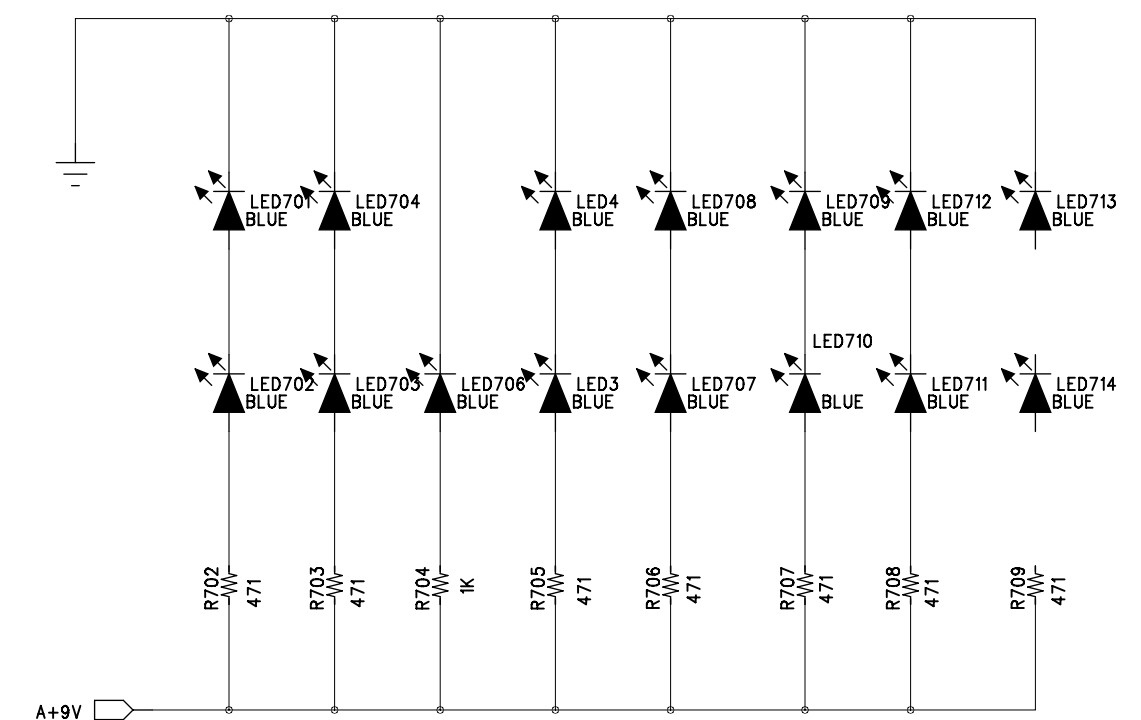
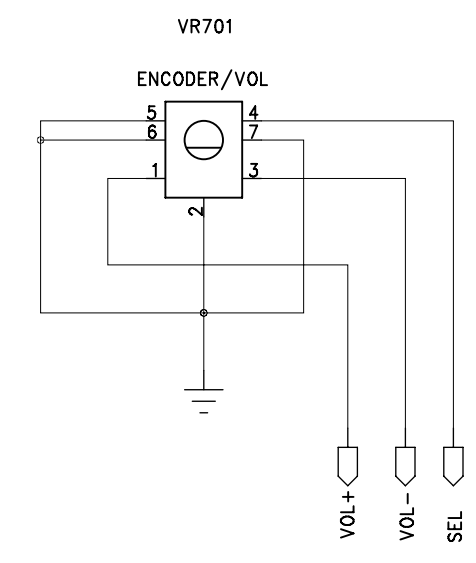
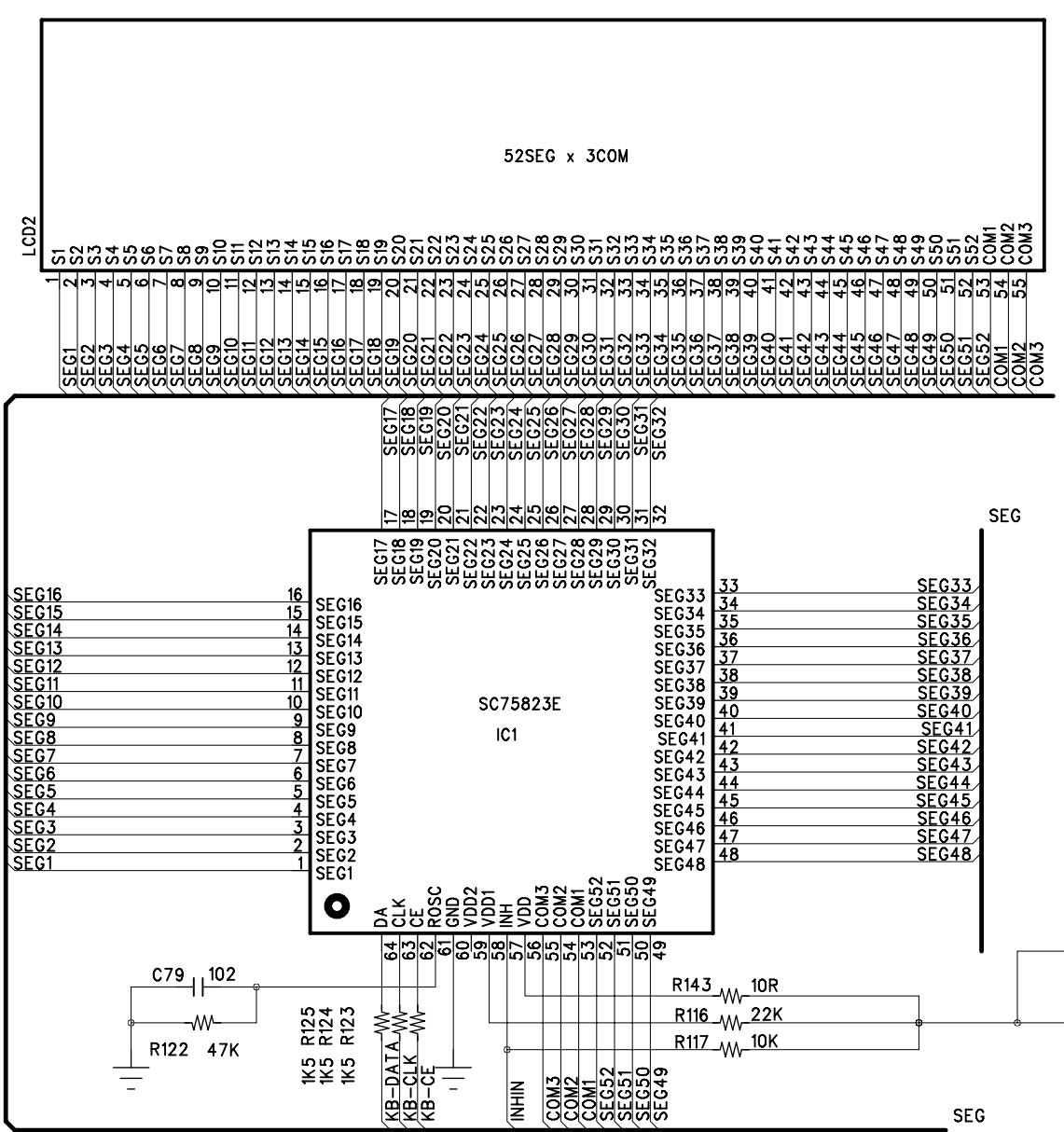
ISO-SOCKET



File name: A2305+TDA7388 FOR NCD3033	
Sheet name: POWER+AMP	
Drawing No:	Version: V1.0
Drawn By: Andis	Date: 2011-7-6
Checked By:	Date:
Approved By:	Date:
Size: A3	Sheet: 3 of 5



File name: A2305+TDA7388 FOR NCD3033	
Sheet name: AUDIO-PROCESS	
Drawing No:	Version: V1.0
Drawn By: Andis	Date: 2011-7-6
Checked By:	Date:
Approved By:	Date:
Size: A3	Sheet: 4 of 5



File name: A2305+TDA7388 FOR NCD3033	
Sheet name: LCD-DRIVER	
Drawing No:	Version: V1.0
Drawn By: Andis	Date: 2011-7-6
Checked By:	Date:
Approved By:	Date:
Size: A3	Sheet: 5 of 5