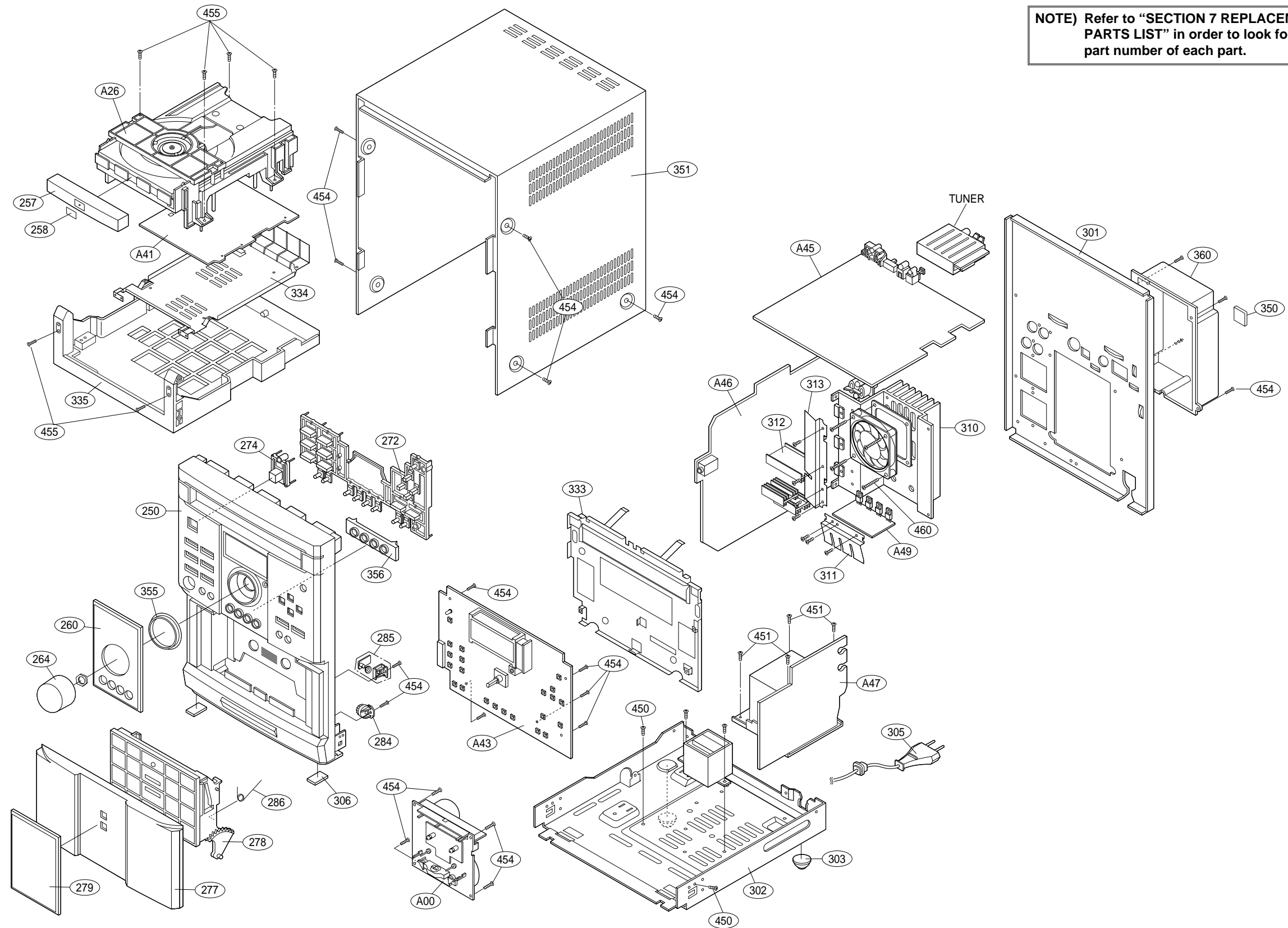
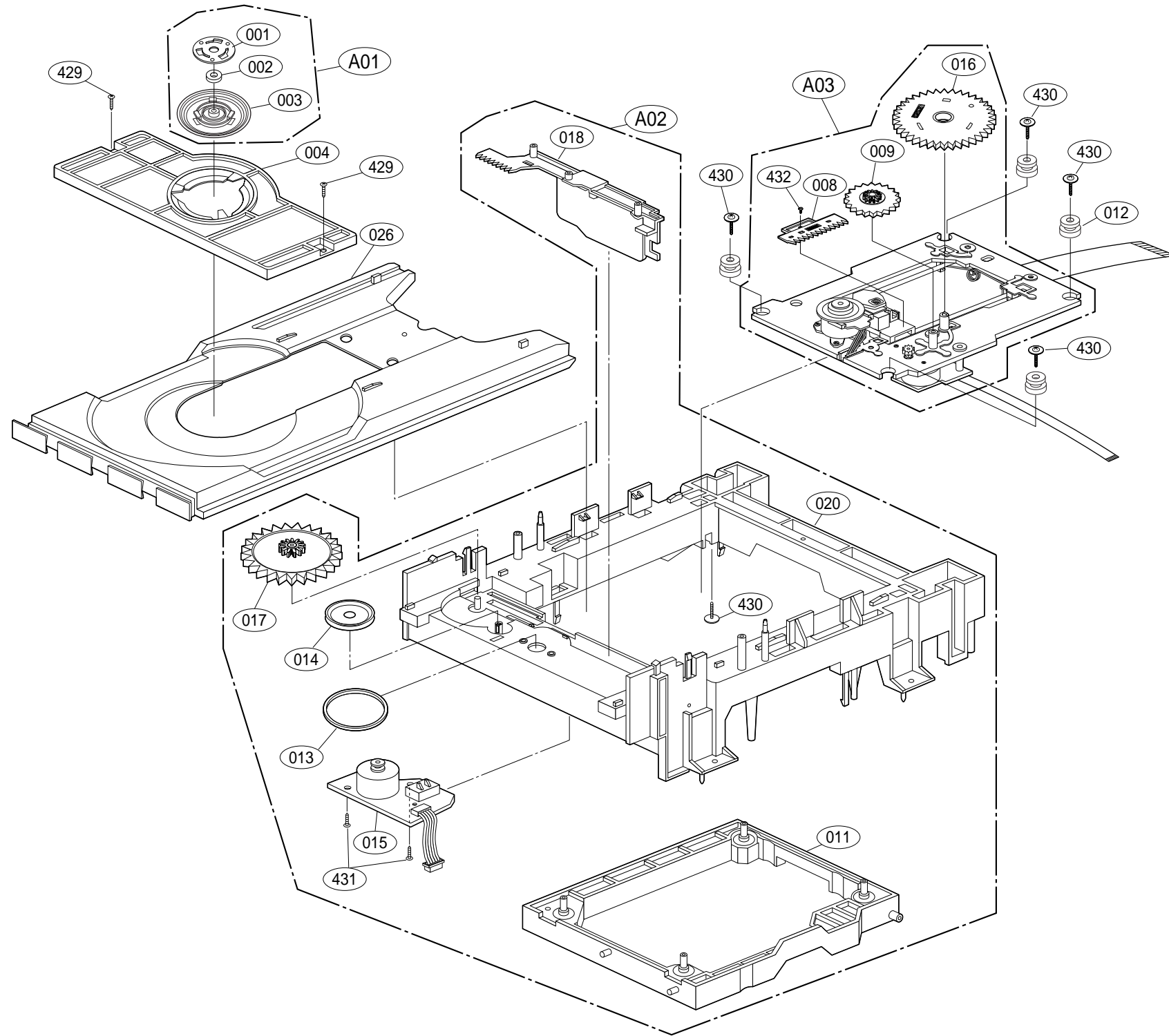


SECTION 5. EXPLODED VIEWS

• CABINET AND MAIN FRAME SECTION

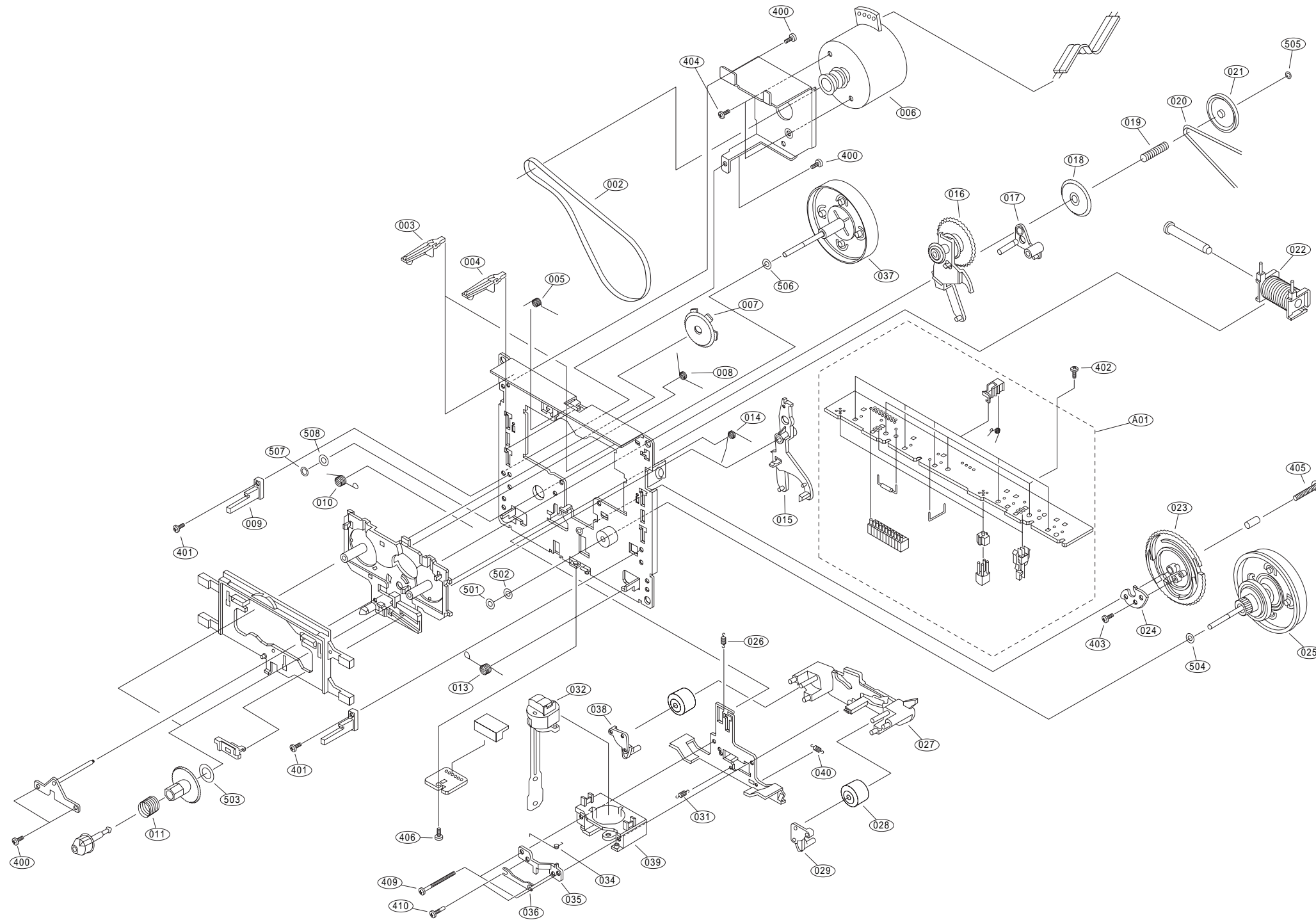


• DVD Deck Mechanism Exploded View



LOCA. NO.	PART NO.	DESCRIPTION	SPECIFICATION
A00	6721RJ0320A	DECK ASSEMBLY,VIDEO	DP-2RM(MULTI)-CKD-HZ
A01	4861R-0006A	CLAMP ASSY	DISC(DP2)
A02	3041R-0040A	BASE ASSEMBLY	MAIN(DP2,MULTI)-HZ
A03	3041R-0041A	BASE ASSEMBLY	SLED(DP2,MULTI)-HZ
001	3300R-0547A	PLATE	CLAMP
002	5016H-1016B	MAGNET	CLAMP(LDM-R608,10*5,1*1.5T)
003	4860R-0006A	CLAMP	UPPER
004	4930R-0171A	HOLDER	CLAMP
008	4470R-0047A	GEAR	ASSY RACK
009	4470R-0053A	GEAR	MIDDLE
012	5040R-0047A	RUBBER	REAR(E2,5040H-1054A),YAMAUCHI
013	4400R-0006A	BELT	LOADING
014	4470R-0055A	GEAR	PULLEY
015	6871R-4508A	PWB(PCB) ASSEMBLY,TOTAL	LD, DP-2 MULTIHZ
016	4470R-0050A	GEAR	ASSY FEED
017	4470R-0056A	GEAR	LOADING
018	4974R-0023A	GUIDE	UP/DOWN
020	3040R-0048A	BASE	MAIN(MULTI)
026	3390R-0005A	TRAY	DISC
429	1SZZR-0012A	SCREW,	B-TITE
430	1SZZH-1003A	SCREW,	+ D2.0 6MM SWRCH16A/NIY 4.5MM
431	1SZZH-1007B	SCREW,	+ D2.0 6MM SWRCH16A/ZNBK 4MM 1
432	1SZZR-0011A	SCREW,	MACHINE

• TAPE DECK MECHANISM: AUTO REVERSE DECK



LOCA. NO	PART NO.	SPECIFICATION
A00	6730R-F001B	CRL4428 PIGEON L-SINGLE A/REVERSE
A01	6768R-UP01B	50-093-4329 PIGEON UNIT CRL442
002	6768R-BP01K	02-084-4200 PIGEON BELT/FELT C
003	6768R-AP01D	50-239-4027 PIGEON ARM CWL44
004	6768R-AP01E	50-239-4026 PIGEON ARM CWL44
005	6768R-SP01E	01-082-4654 PIGEON SPRING CWL4
006	6768R-QP01D	50-093-4328 PIGEON MOTOR(ASSY)
007	6768R-GP01A	50-093-4063 PIGEON GEAR CWL44
008	6768R-SP01F	01-082-4598 PIGEON SPRING CWL4
009	6768R-MP01C	50-219-4014 PIGEON MOLD CWL44
010	6768R-SP01C	01-082-4652 PIGEON SPRING CWL4
011	6768R-SP01A	01-081-4601 PIGEON SPRING CWL4
013	6768R-SP01B	01-082-4651 PIGEON SPRING CWL4
014	6768R-SP01G	01-082-4597 PIGEON SPRING CWL4
015	6768R-AP01A	50-268-3016 PIGEON ARM CWL44
016	6768R-GP01H	50-093-4503 PIGEON GEAR CRL442
017	6768R-AP01C	50-239-4072 PIGEON ARM CWL44
018	6768R-GP01J	50-222-4428 PIGEON GEAR CRL442
019	6768R-SP01P	01-081-4678 PIGEON SPRING CRL4
020	6768R-BP01C	02-083-4188 PIGEON BELT/FELT C
021	6768R-LP01C	50-223-4429 PIGEON SOLLENID/FLYW
022	6768R-VP01A	50-093-4125 PIGEON SOLENOID CW
023	6768R-GP01G	50-21-4474 PIGEON GEAR CRL4428
024	6768R-AP01B	50-139-4292 PIGEON ARM CWL44
025	6768R-JP01H	50-093-3440 PIGEON PULLEY/FLYW
026	6768R-SP01D	01-080-4609 PIGEON SPRING CWL4
027	6768R-DP01A	50-259-3342 PIGEON LEVER CWL44
028	6768R-RP01A	22-027-41054 PIGEON ROLLER CWL
029	6768R-MP01A	50-219-4033 PIGEON MOLD CWL44
031	6768R-SP01L	01-080-4649 PIGEON SPRING CWL4
032	6768R-EP01A	50-093-4070 PIGEON HEAD ASSY C
034	6768R-SP01K	01-082-4650 PIGEON SPRING CWL4
035	6768R-PP01A	50-119-4046 PIGEON PRESS CWL44
036	6768R-PP01B	50-160-4108 PIGEON PRESS CWL44
037	6768R-JP01G	50-093-3439 PIGEON PULLEY/FLYW
038	6768R-MP01D	50-219-4034 PIGEON MOLD CWL44
039	6768R-MP01E	50-219-3024 PIGEON MOLD CWL44
040	6768R-SP01M	01-080-4607 PIGEON SPRING CWL4
400	6768R-CP01A	GSE10A2003 PIGEON SCREW CWL44
401	6768R-CP01B	GSE20A2005 PIGEON SCREW CWL44
402	6768R-CP01C	GSE10A2004 PIGEON SCREW CWL44
403	6768R-CP01D	GSL10A1704 PIGEON SCREW CWL44
404	6768R-CP01E	GSP10A2603 PIGEON SCREW CWL44
405	6768R-CP01F	GSP11A2012 PIGEON SCREW CWL44
406	6768R-CP01G	GSE20A2004 PIGEON SCREW CWL44
409	6768R-CP01L	GSD10A2018 PIGEON SCREW CWL44
410	6768R-CP01M	03-300-4056 PIGEON SCREW CWL44
501	6768R-WP01A	GWM19S035035 PIGEON WASHER CWL
502	6768R-WP01B	GWM17S050035S PIGEON WASHER CW
503	6768R-WP01C	GWM48X075010 PIGEON WASHER CWL
504	6768R-WP01D	GWP21X045020 PIGEON WASHER CWL
505	6768R-WP01E	GWP12X030040S PIGEON WASHER CW
506	6768R-WP01H	GWP23X040020 PIGEON WASHER CWL
507	6768R-WP01F	GWN21X040040 PIGEON WASHER CWL
508	6768R-WP01G	GWM19X055035S PIGEON WASHER CW
A01	6768R-UP01B	50-093-4329 PIGEON UNIT CRL442